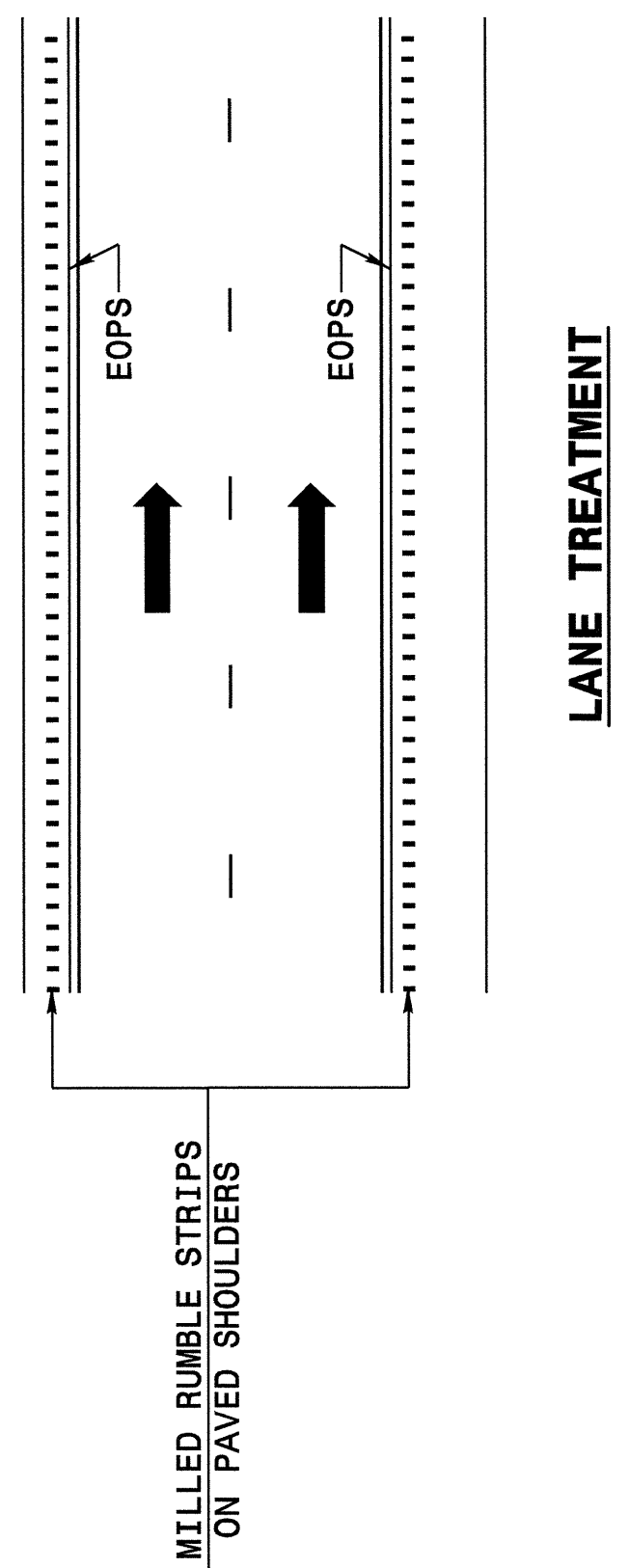
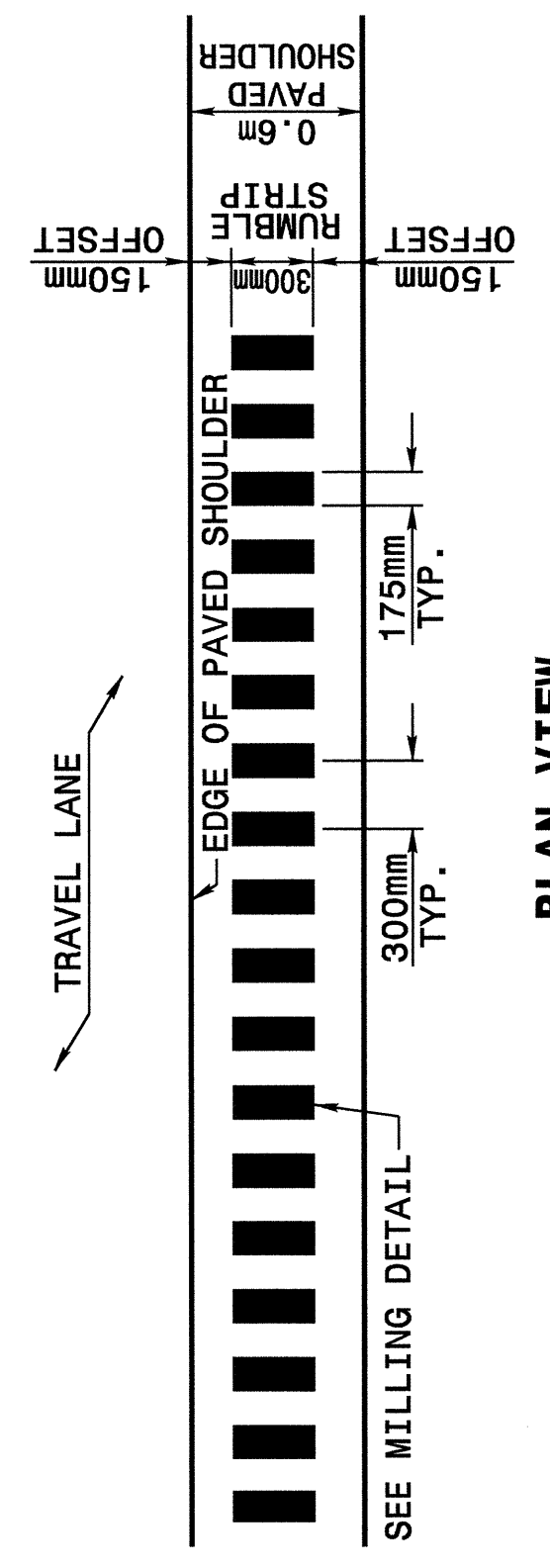
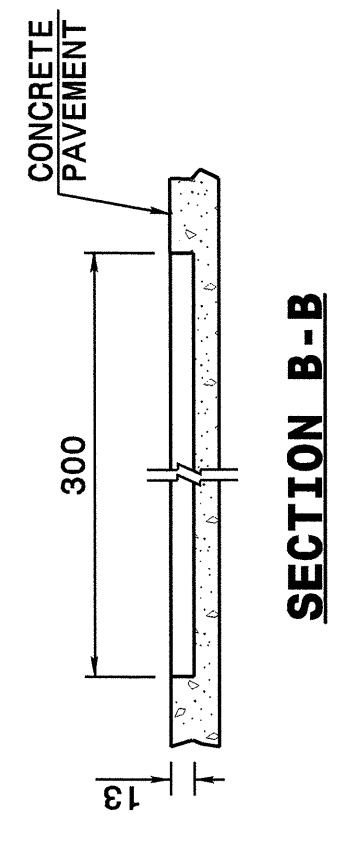
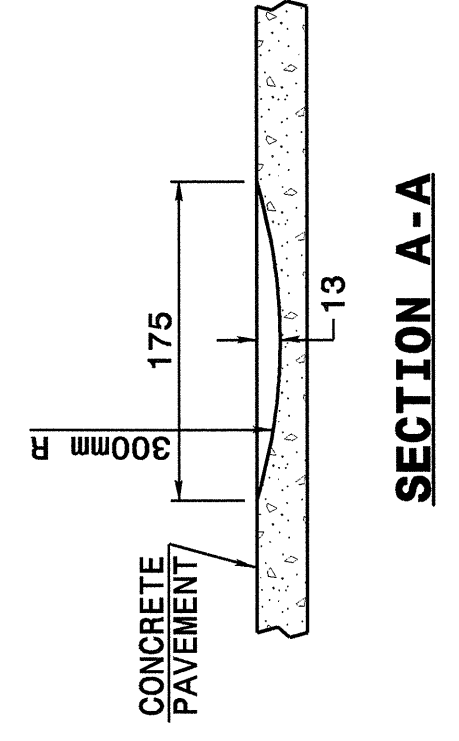
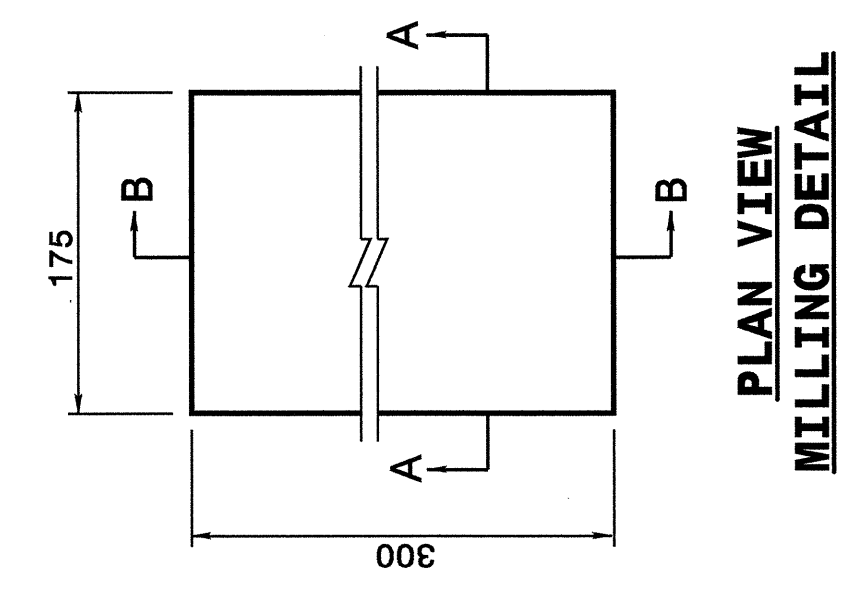




STATE OF NORTH CAROLINA
DEPT. OF TRANSPORTATION
DIVISION OF HIGHWAYS
RALEIGH, N.C.

METRIC DETAIL DRAWING FOR
**ASPHALT SHOULDERS
MILLED RUMBLE STRIPS**

SHEET 1 OF 2
665D01



Note:
This drawing is dimensioned in millimeters unless otherwise depicted within the drawing.

STATE OF NORTH CAROLINA
DEPT. OF TRANSPORTATION
DIVISION OF HIGHWAYS
RALEIGH, N.C.

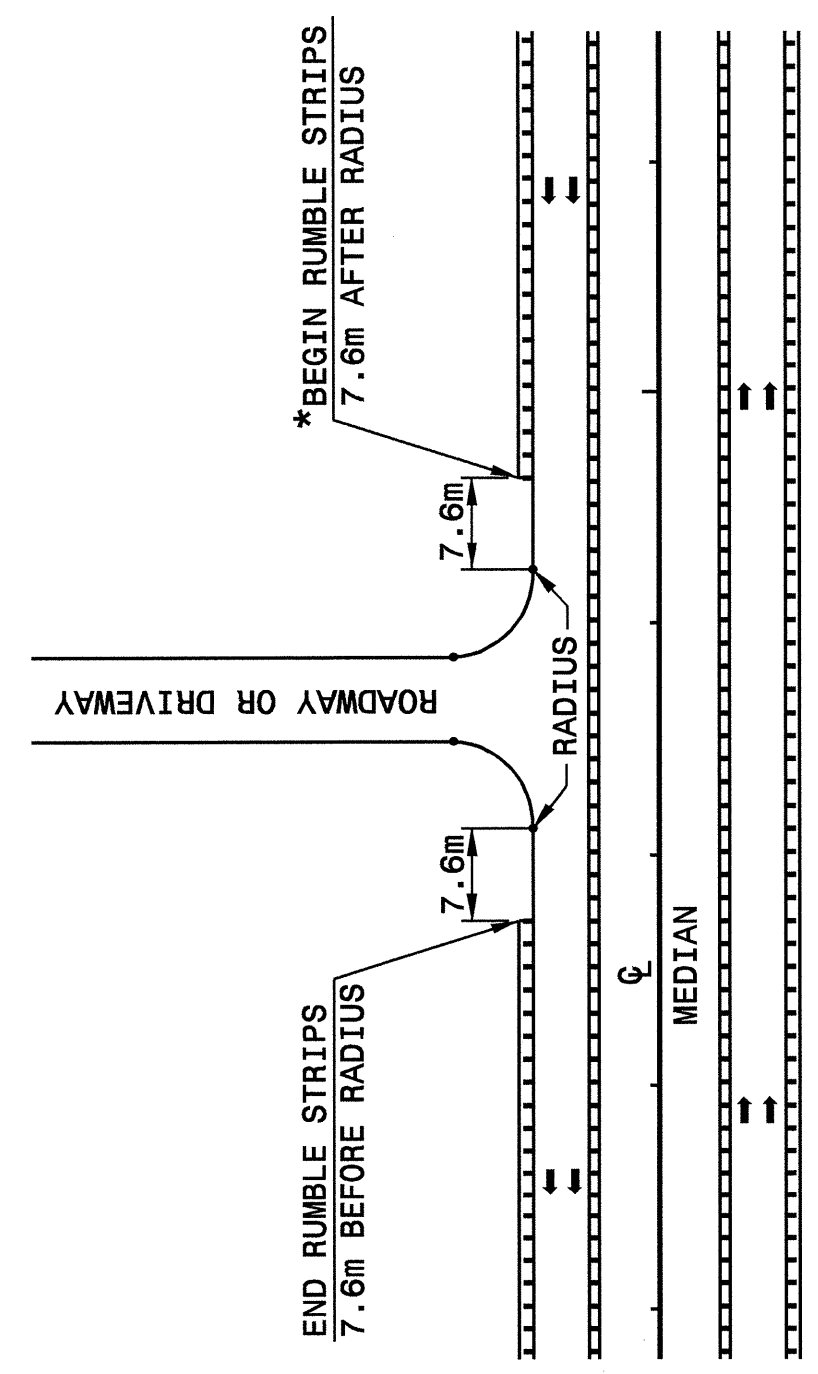
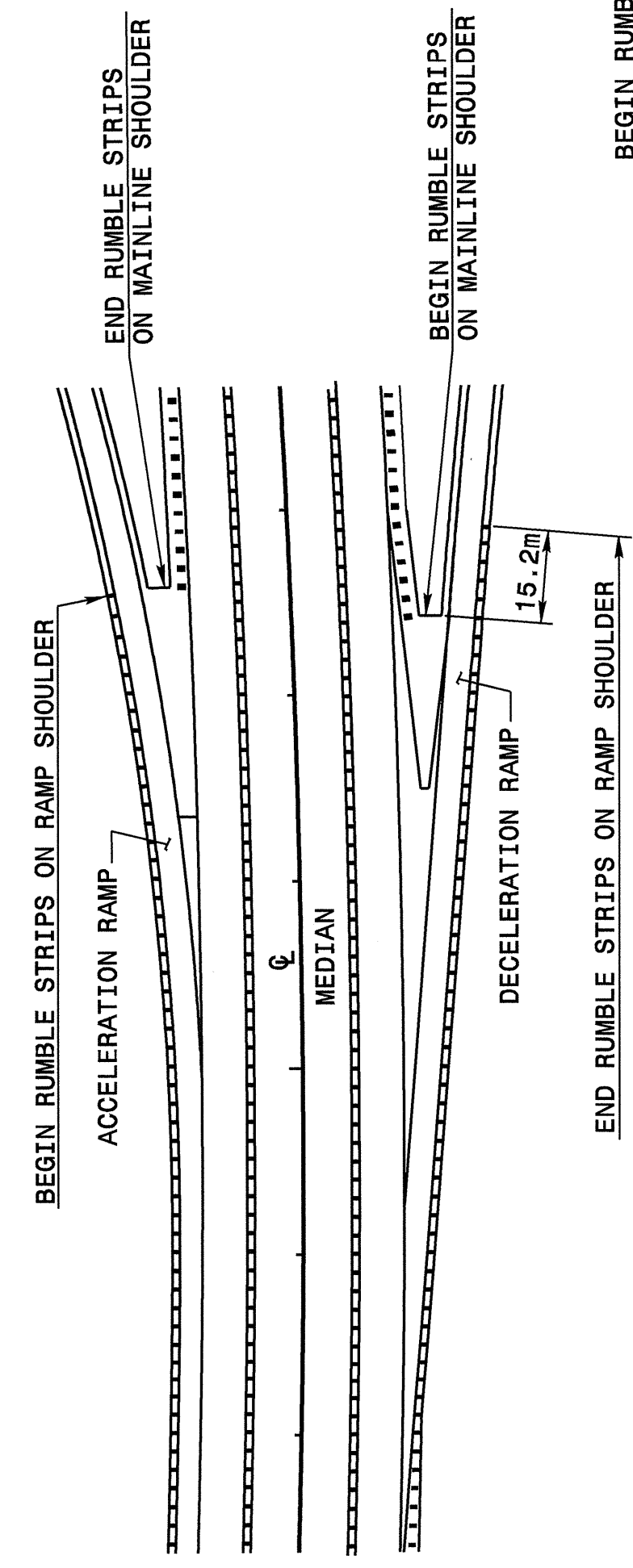
METRIC DETAIL DRAWING FOR
**ASPHALT SHOULDERS
MILLED RUMBLE STRIPS**

SHEET 1 OF 2
665D01

STATE OF NORTH CAROLINA
DEPT. OF TRANSPORTATION
DIVISION OF HIGHWAYS
RALEIGH, N.C.

METRIC DETAIL DRAWING FOR
**ASPHALT SHOULDERS
MILLED RUMBLE STRIPS**

SHEET 2 OF 2
665D01



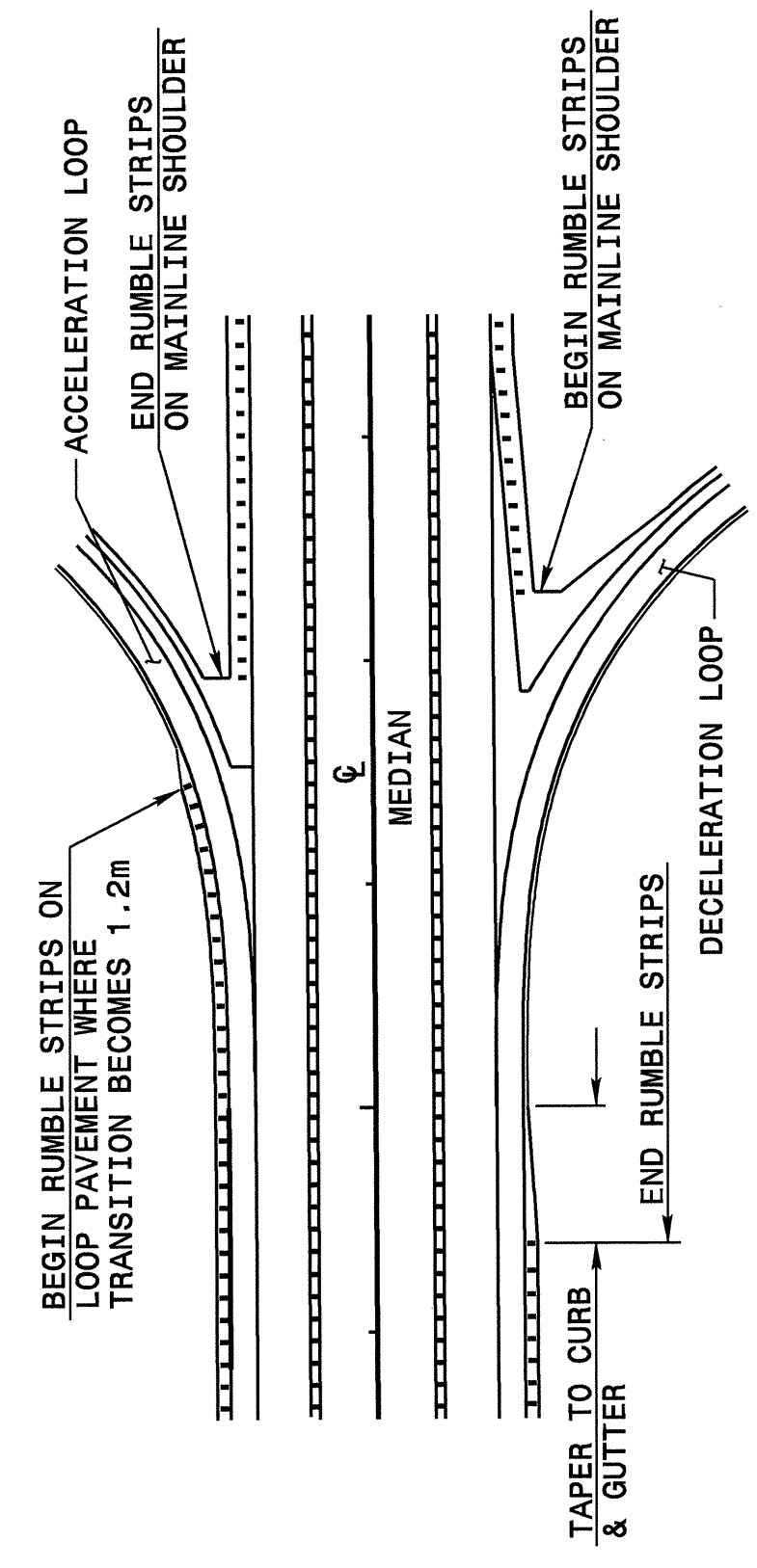
Note:
This drawing is dimensioned in millimeters unless otherwise depicted within the drawing.

STATE OF NORTH CAROLINA
DEPT. OF TRANSPORTATION
DIVISION OF HIGHWAYS
RALEIGH, N.C.

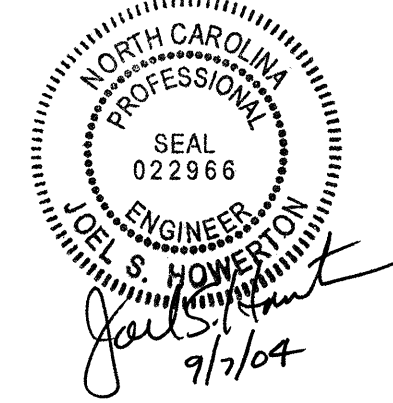
METRIC DETAIL DRAWING FOR
**ASPHALT SHOULDERS
MILLED RUMBLE STRIPS**

SHEET 2 OF 2
665D01

TREATMENT AT LOOP TERMINALS



* ALSO TERMINATE RUMBLE STRIPS WHEN ADJACENT TO TURNING LANES AND/OR TAPERS AT PAVEMENT RADIUS.



DESIGN SERVICES UNIT
STANDARDS AND SPECIAL DESIGN
Office 919-250-4128 FAX 919-250-4119

SEE PLATE FOR TITLE

ORIGINAL BY: E.E. WARD DATE: 08-16-04
MODIFIED BY: [Signature] DATE: 8-17-04
CHECKED BY: [Signature] DATE: 8-17-04
FILE SPEC.: (stds/02stdstodetails/english/665d01.dgn)

16-AUG-2004 14:05
W:\special_details\ericward\stds\2005 Std correct only if approved\english\dw06\065650101.dgn
ericward AT 05212260