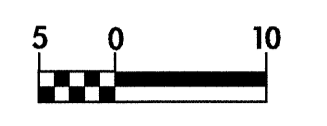
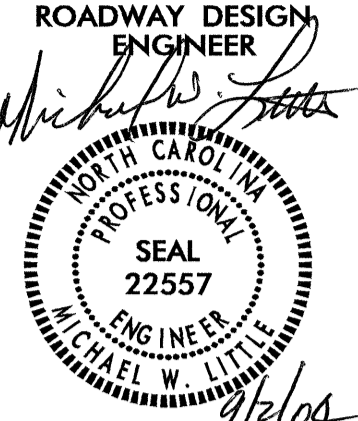
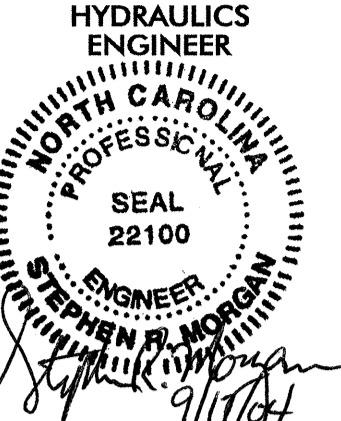
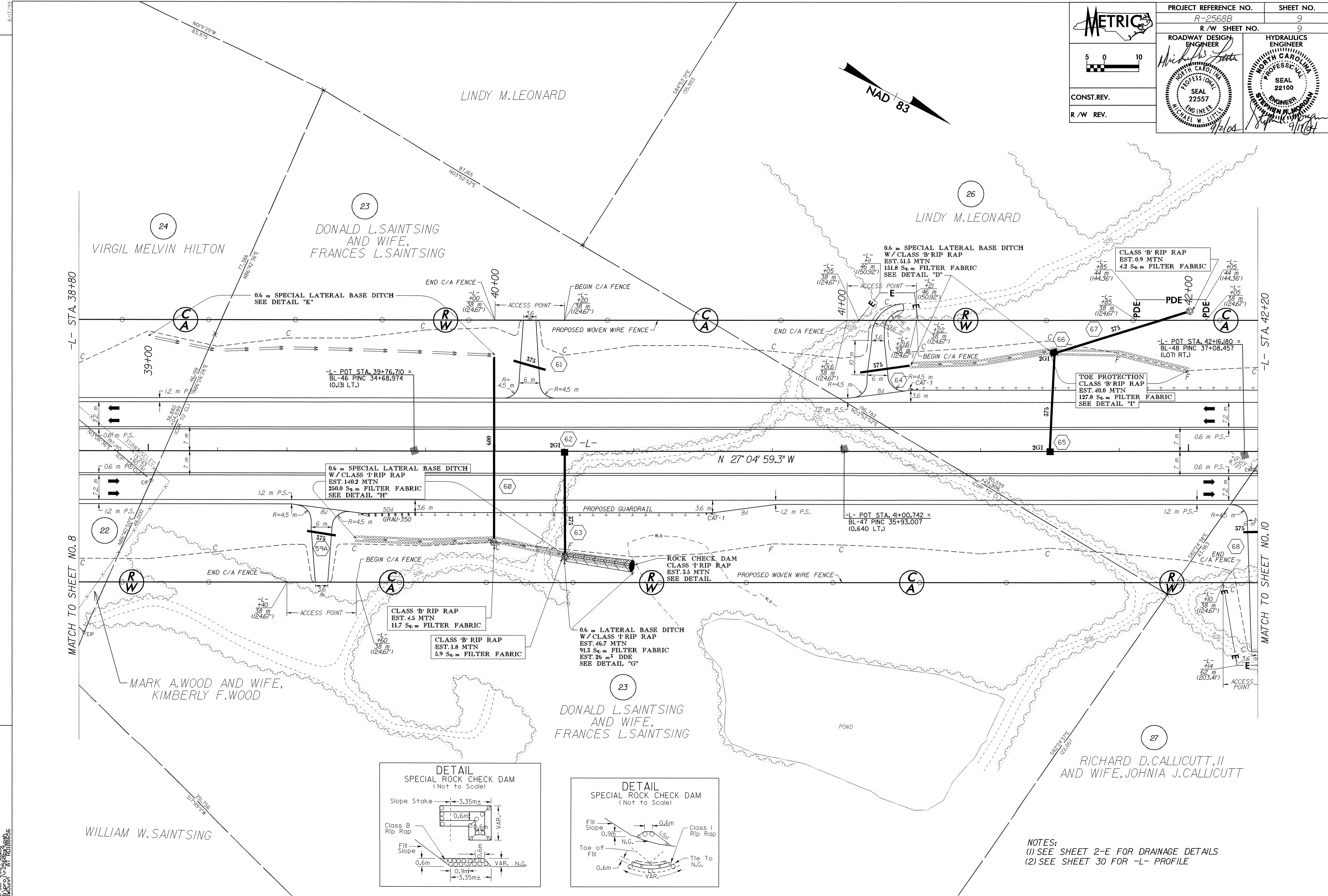
	PROJECT REFERENCE NO.	SHEET NO.
	R-2568B	9
	R/W SHEET NO.	9
	ROADWAY DESIGN ENGINEER	HYDRAULICS ENGINEER
		
CONST. REV.		
R/W REV.		



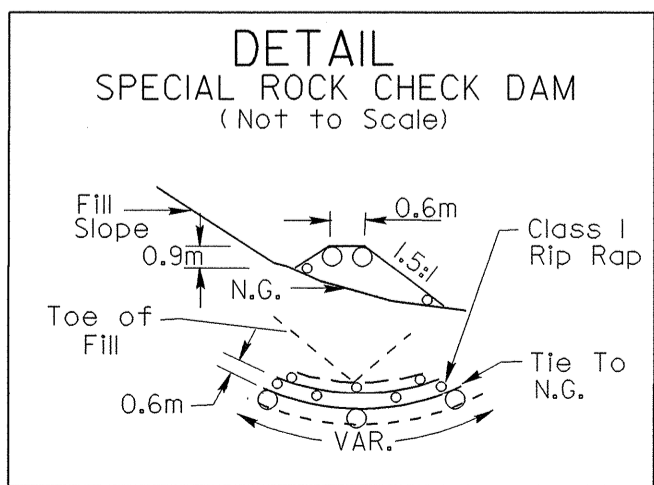
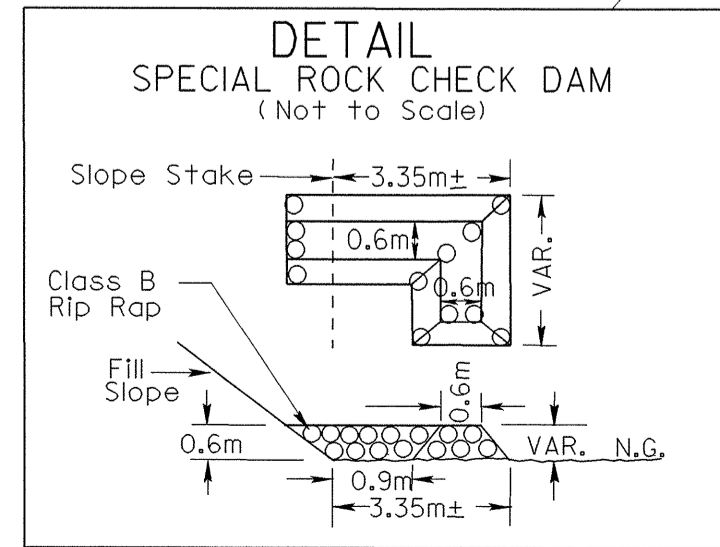
REVISIONS

-L- STA. 38+80

-L- STA. 42+20

MATCH TO SHEET NO. 8

MATCH TO SHEET NO. 10



NOTES:
 (1) SEE SHEET 2-E FOR DRAINAGE DETAILS
 (2) SEE SHEET 30 FOR -L- PROFILE

9:56P-ROCK CHECK DAM
 10:00P-ROCK CHECK DAM
 10:05P-ROCK CHECK DAM