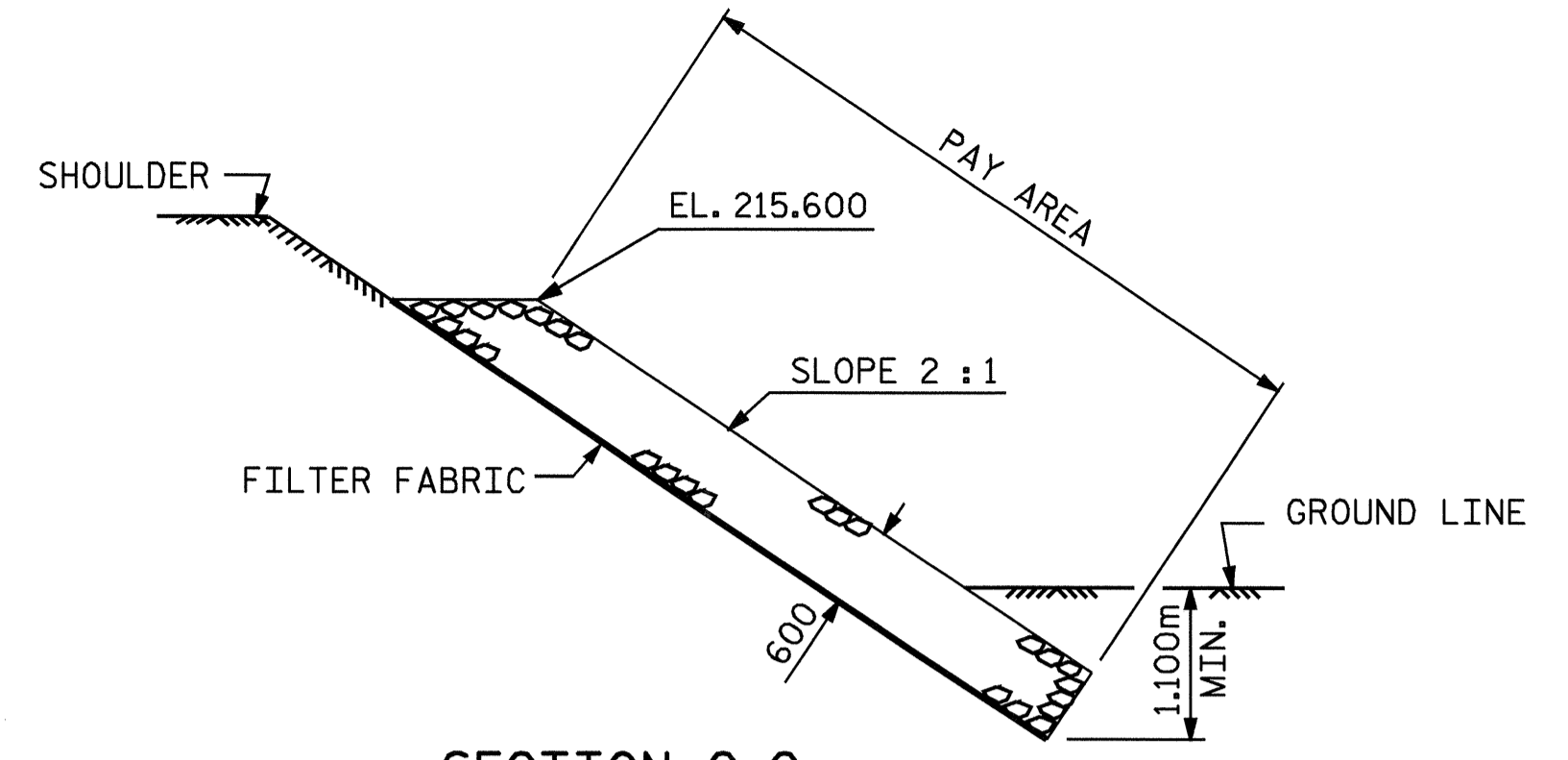
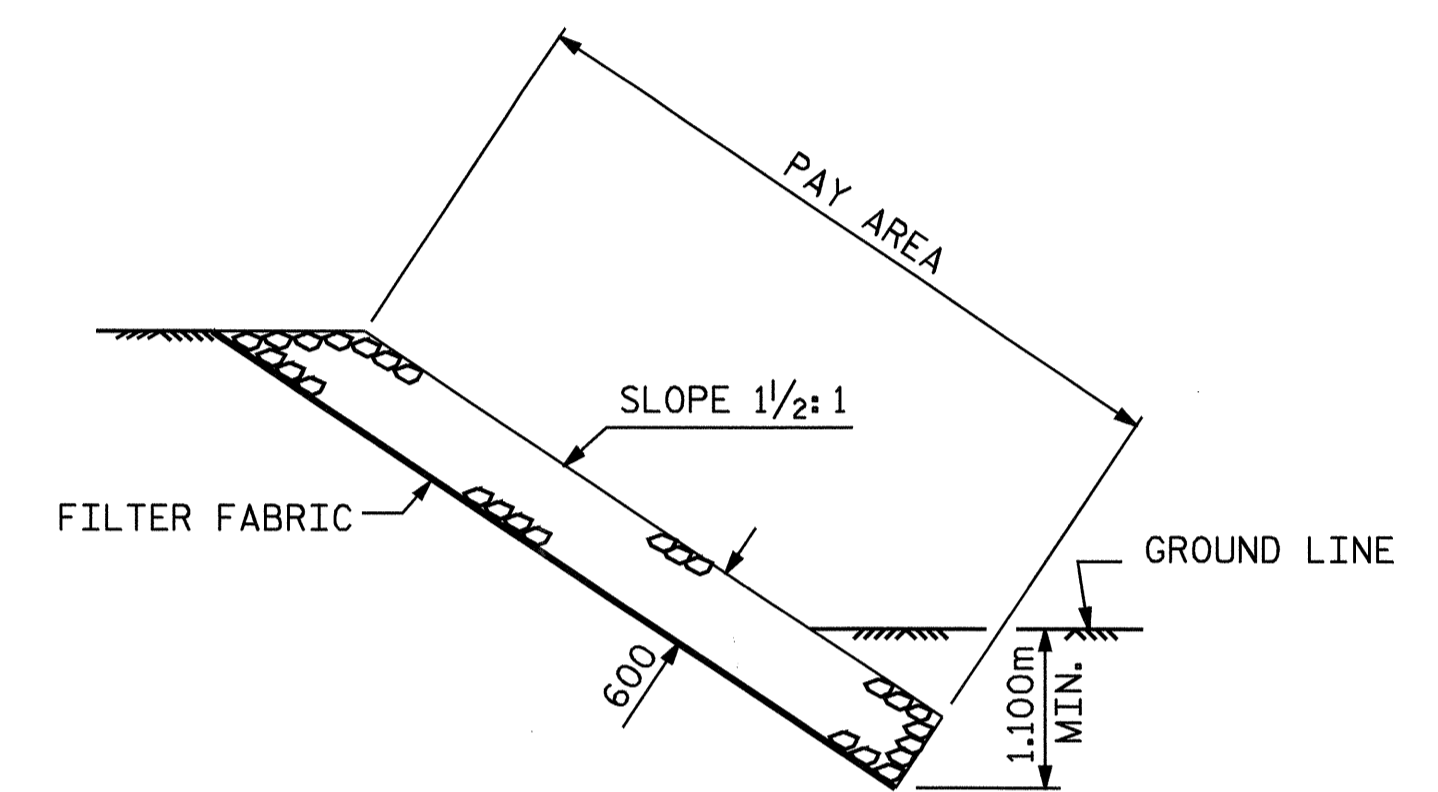


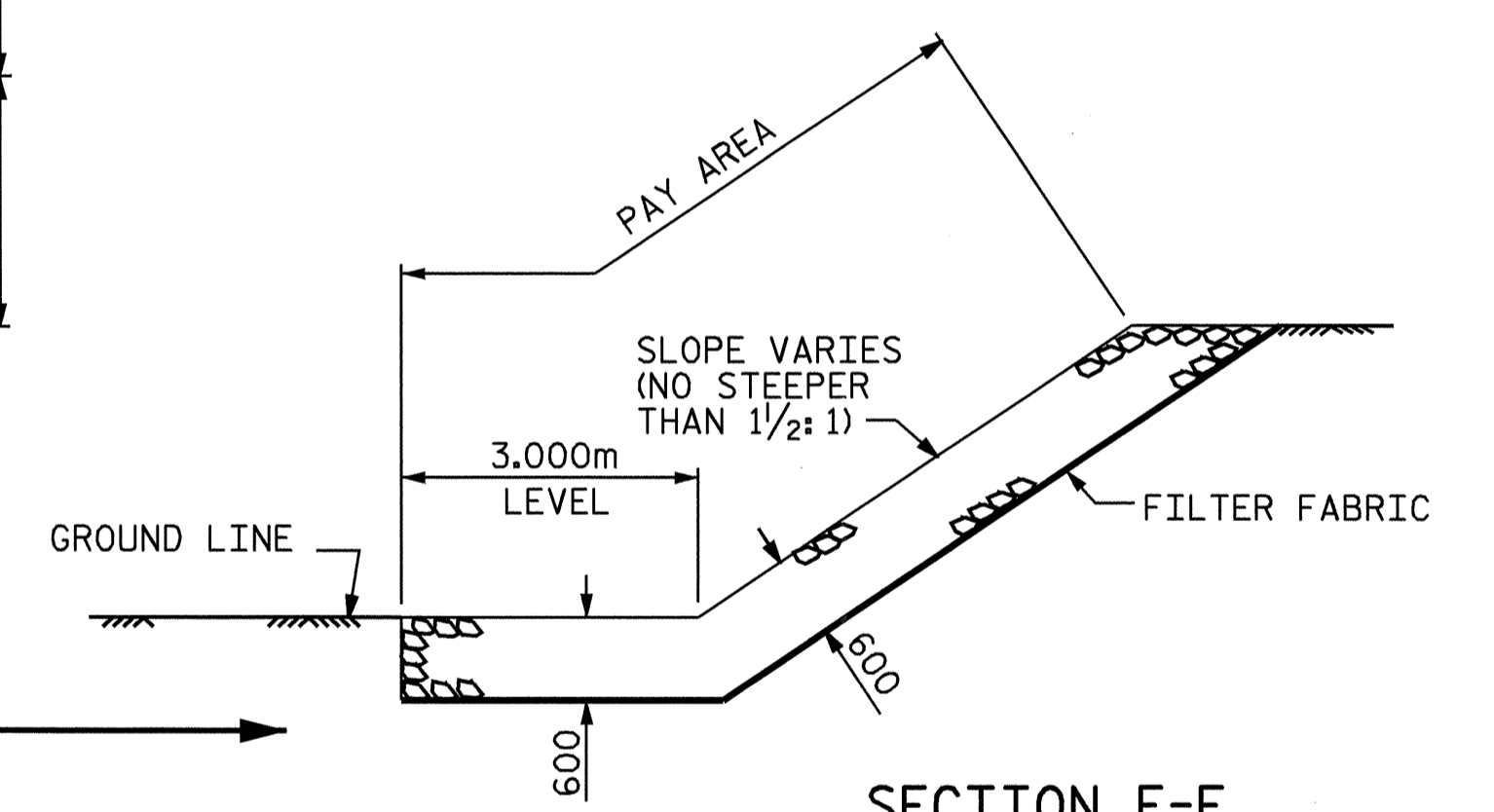
NOTES :
FOR BERM WIDTH DIMENSIONS, SEE GENERAL DRAWING.



SECTION C-C

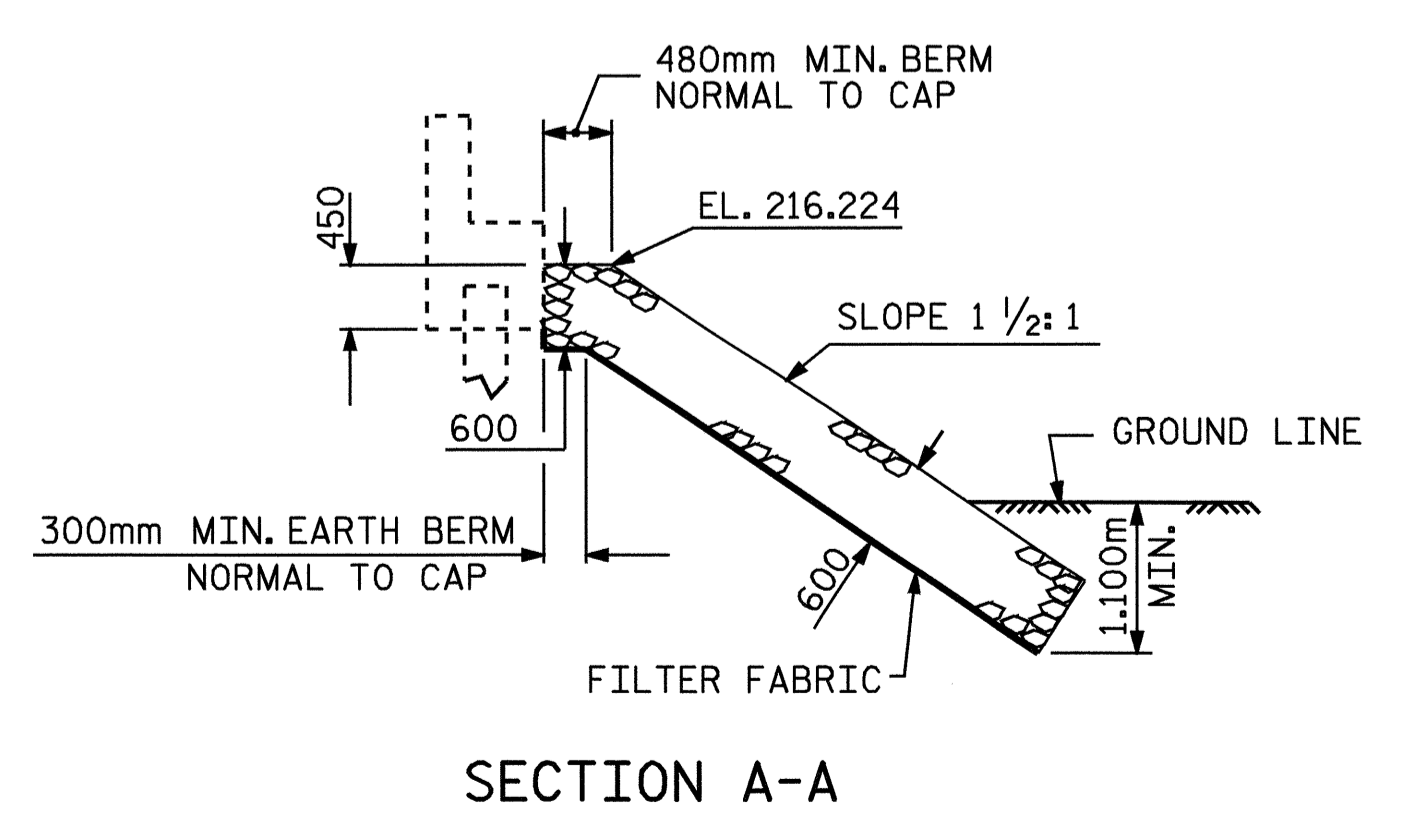


SECTION B-B

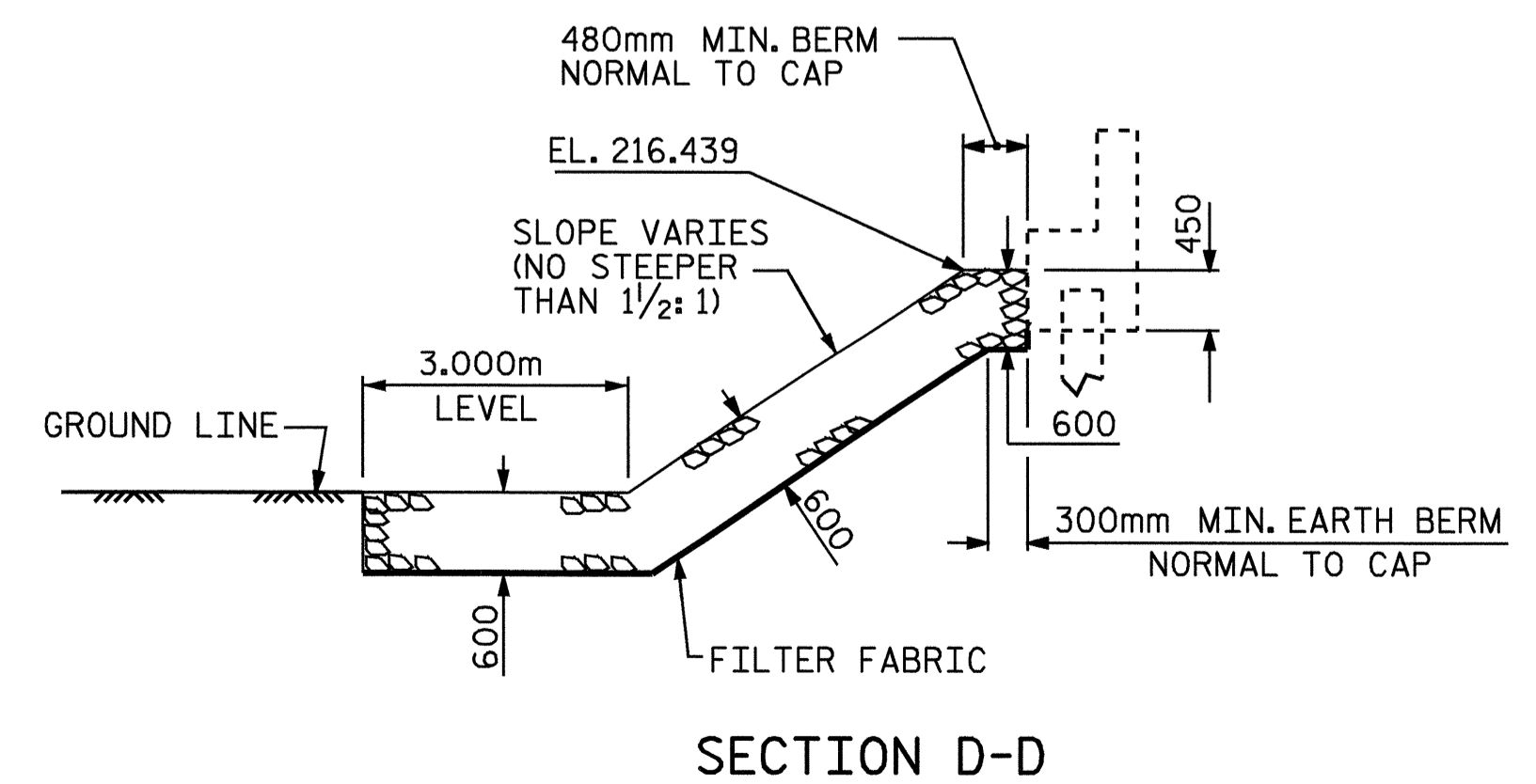


SECTION E-E

PLAN



SECTION A-A



SECTION D-D

ESTIMATED QUANTITIES		
BRIDGE @ STA. 61+31.500 -L- (LEFT LANE)	PLAIN RIP RAP CLASS II	FILTER FABRIC FOR DRAINAGE
	METRIC TONS	SQUARE METERS
END BENT 1	262	267
END BENT 2	252	258
* SCOUR HOLE	18	19

* SCOUR HOLE QUANTITIES ARE INCLUDED WITH END BENT 1 QUANTITIES IN TOTAL BILL OF MATERIAL.

PROJECT NO. R-2568B
DAVIDSON COUNTY
STATION: 61+31.500-L-

STATE OF NORTH CAROLINA
DEPARTMENT OF TRANSPORTATION
RALEIGH
— RIP RAP DETAILS —
(LEFT LANE)



REVISIONS						SHEET NO. S-25
NO.	BY:	DATE:	NO.	BY:	DATE:	
1			3			TOTAL SHEETS 64
2			4			

DRAWN BY : D. HODGE DATE : 8/04
CHECKED BY : J. HARRIS DATE : 8/04

08-SEP-2004 14:45
w:\sdquady\r2568b\dhodge\r2568b0lrr.dgn
dahodge

STR. #1