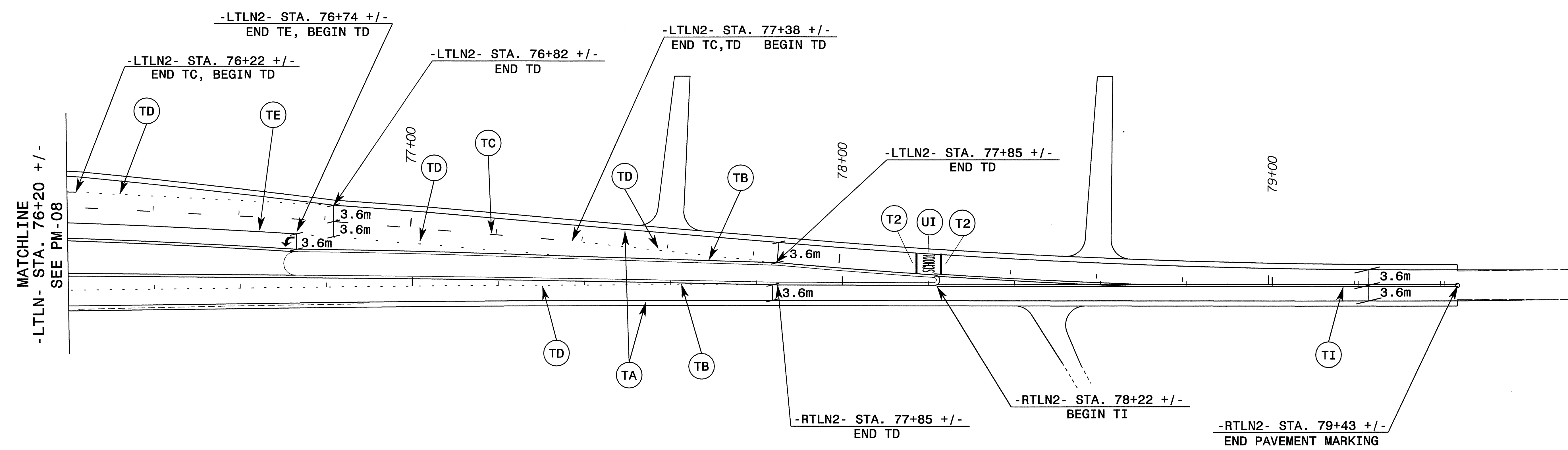
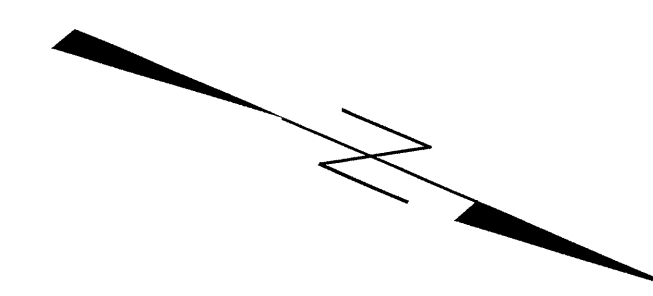




| | |
|---------------------|-----------|
| PROJ. REFERENCE NO. | SHEET NO. |
| R-2568B | PM-09 |



SEE PM-01 FOR PAVEMENT MARKING SCHEDULE

01-SEP-2004 12:37
 M:\TCP\PM SHEETS\R2568B-PM09.dgn
 SJSykes AT TETC196513

| | | | |
|-------------------------|-------|--------------------------|-----------|
| APPROVED: DATE: 9/1/04 | | PAVEMENT MARKINGS | |
| | | | |
| SCALE: | NONE | | REVISIONS |
| DATE: | 11/02 | | |
| DWG. BY: | SJS | | |
| DESIGN BY: | SJS | | |
| REVIEWED BY: | CLM | | CAD FILE |