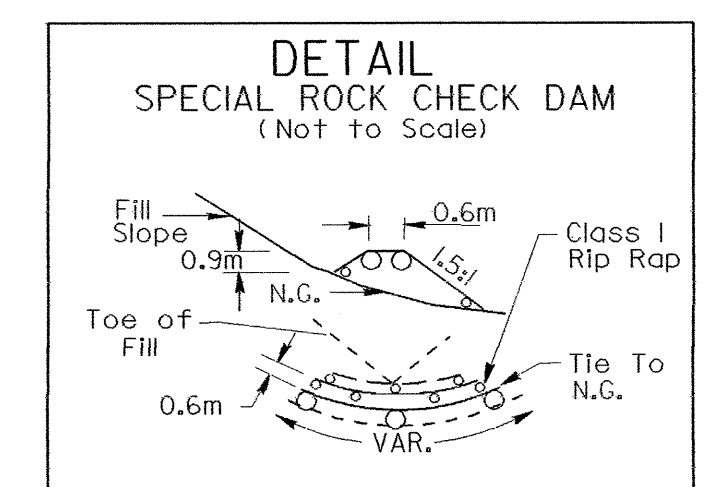
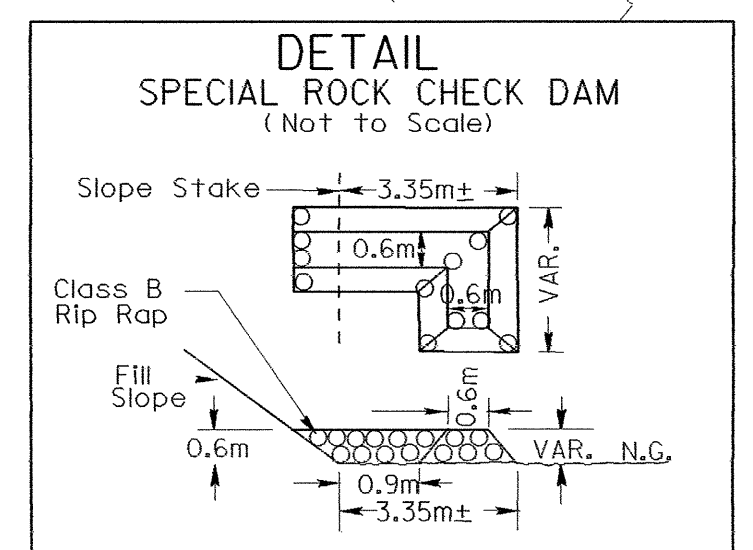
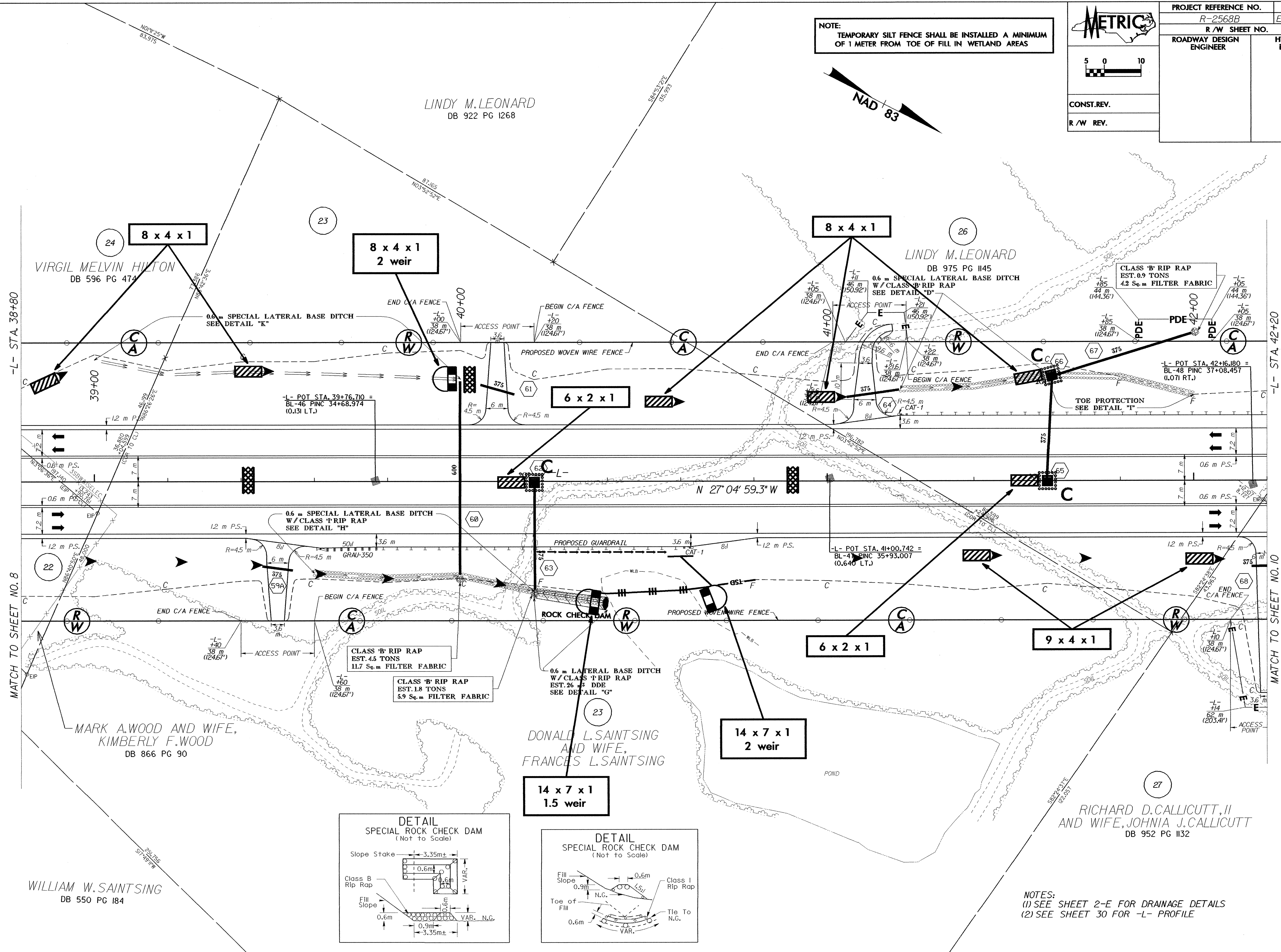
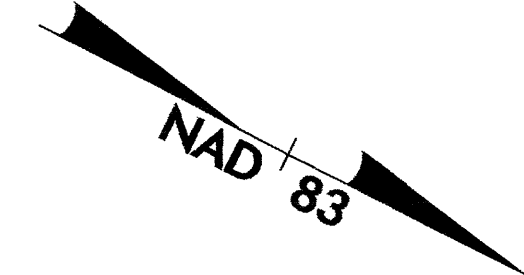
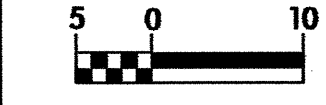
	PROJECT REFERENCE NO.	SHEET NO.
	R-2568B	EC-30/CONST.9
	R/W SHEET NO.	9
ROADWAY DESIGN ENGINEER	HYDRAULICS ENGINEER	
CONST. REV.		
R/W REV.		

NOTE:  
TEMPORARY SILT FENCE SHALL BE INSTALLED A MINIMUM OF 1 METER FROM TOE OF FILL IN WETLAND AREAS



NOTES:  
(1) SEE SHEET 2-E FOR DRAINAGE DETAILS  
(2) SEE SHEET 30 FOR -L- PROFILE