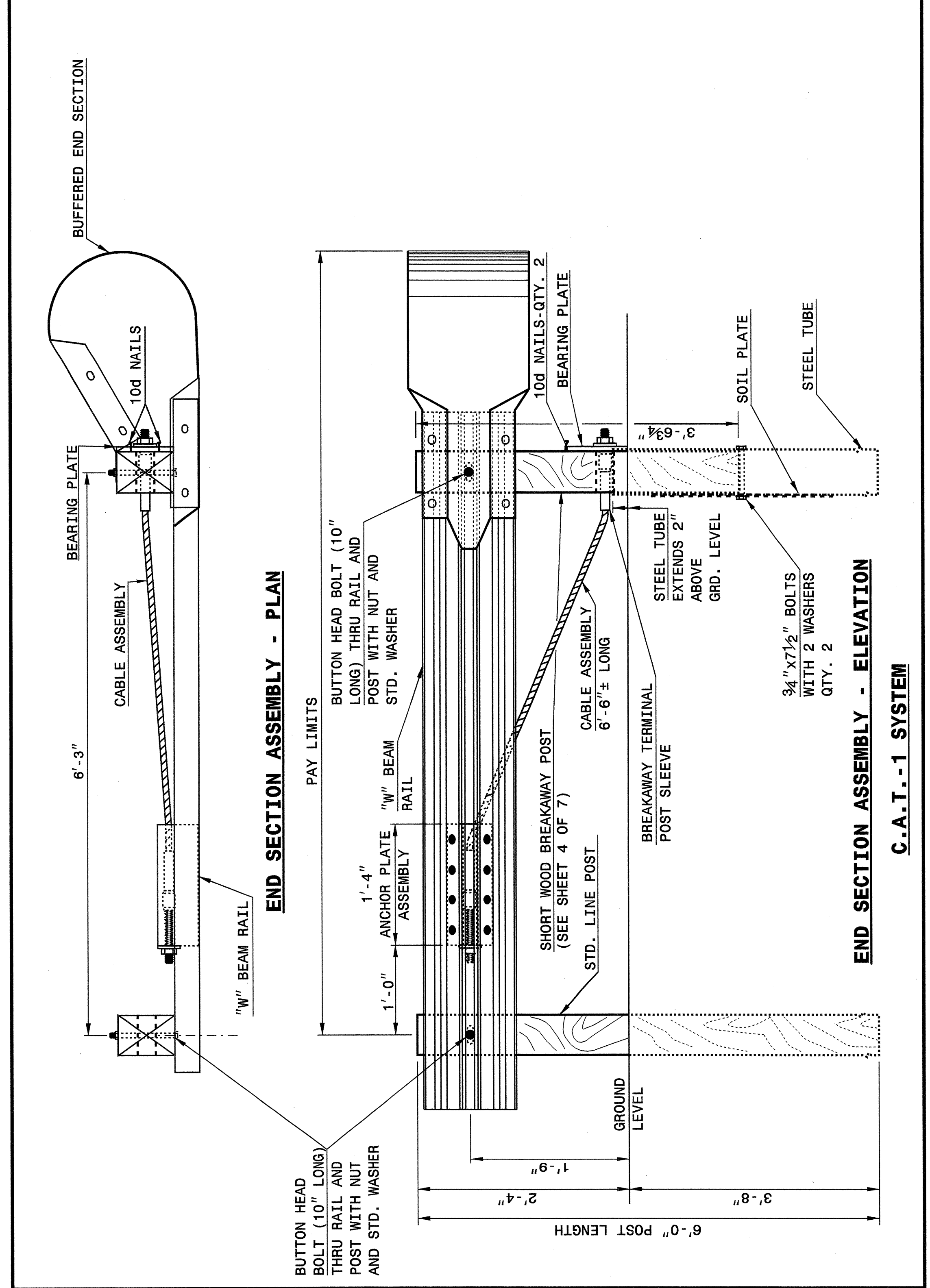


STATE OF NORTH CAROLINA  
DEPT. OF TRANSPORTATION  
RALEIGH, N.C.

ENGLISH DETAIL DRAWING FOR  
GUARDRAIL INSTALLATION

SHEET 1 OF 7  
862D02



STATE OF NORTH CAROLINA  
DEPT. OF TRANSPORTATION  
DIVISION OF HIGHWAYS  
RALEIGH, N.C.

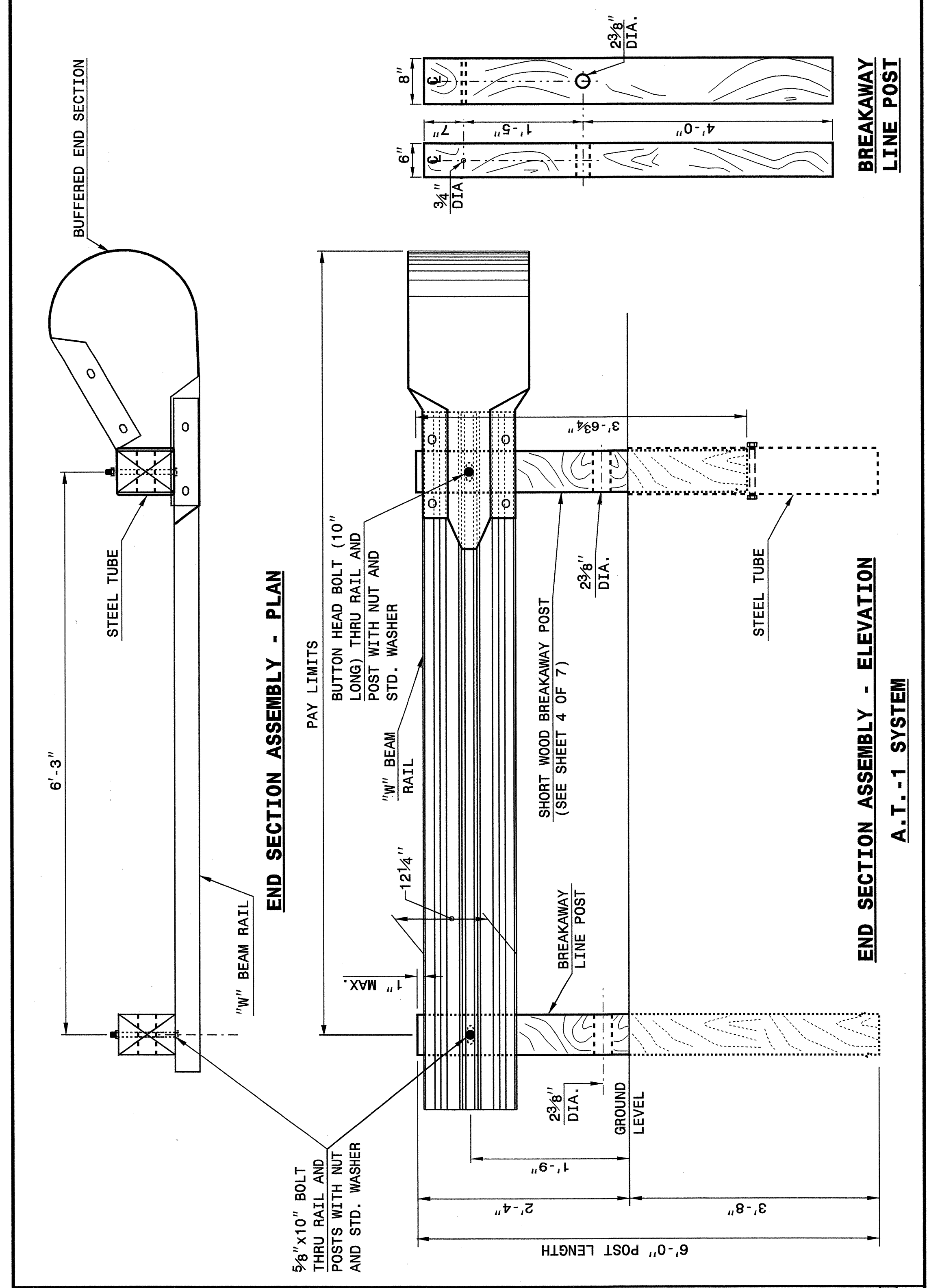
ENGLISH DETAIL DRAWING FOR  
GUARDRAIL INSTALLATION

SHEET 1 OF 7  
862D02

STATE OF NORTH CAROLINA  
DEPT. OF TRANSPORTATION  
RALEIGH, N.C.

ENGLISH DETAIL DRAWING FOR  
GUARDRAIL INSTALLATION

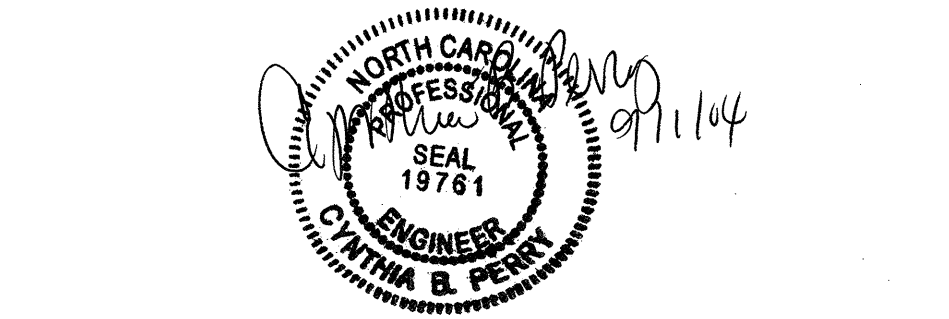
SHEET 2 OF 7  
862D02



STATE OF NORTH CAROLINA  
DEPT. OF TRANSPORTATION  
DIVISION OF HIGHWAYS  
RALEIGH, N.C.

ENGLISH DETAIL DRAWING FOR  
GUARDRAIL INSTALLATION

SHEET 2 OF 7  
862D02



DESIGN SERVICES UNIT  
STANDARDS AND SPECIAL DESIGN  
Office 919-250-4128 FAX 919-250-4119

SEE PLATE FOR TITLE

ORIGINAL BY: 2002 STD. 862.02 DATE:  
MODIFIED BY: E.E. WARD DATE: 02-09-03  
CHECKED BY: [Signature] DATE: 4-29-04  
FILE SPEC.: /usr/stds/02todetail/english/86202/862d02.dgn

5/14/99  
29-APR-2004 11:01  
C:\Spectral\Detail\stds\02\stds to Spectral\Detail\eng1\sh\86202\0862d02.dgn  
Standard Detail 86202