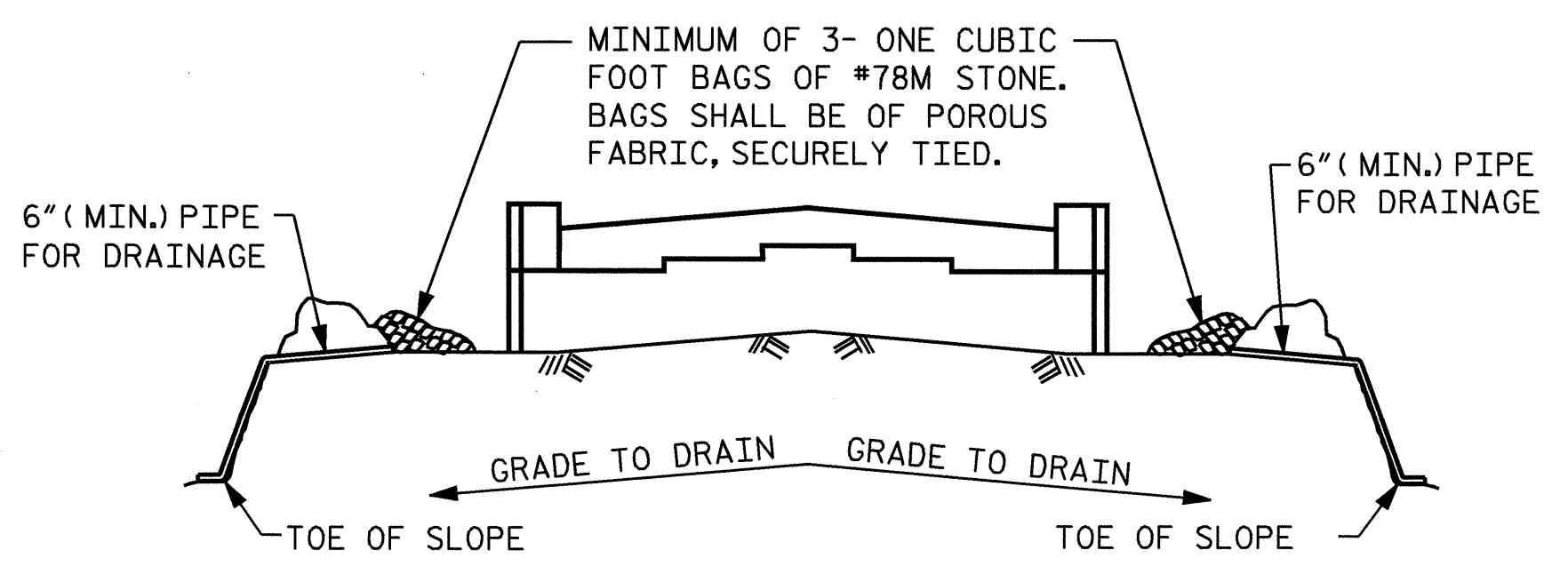


** POSITION OF PILE DURING WELDING.
PILE SPLICE DETAILS

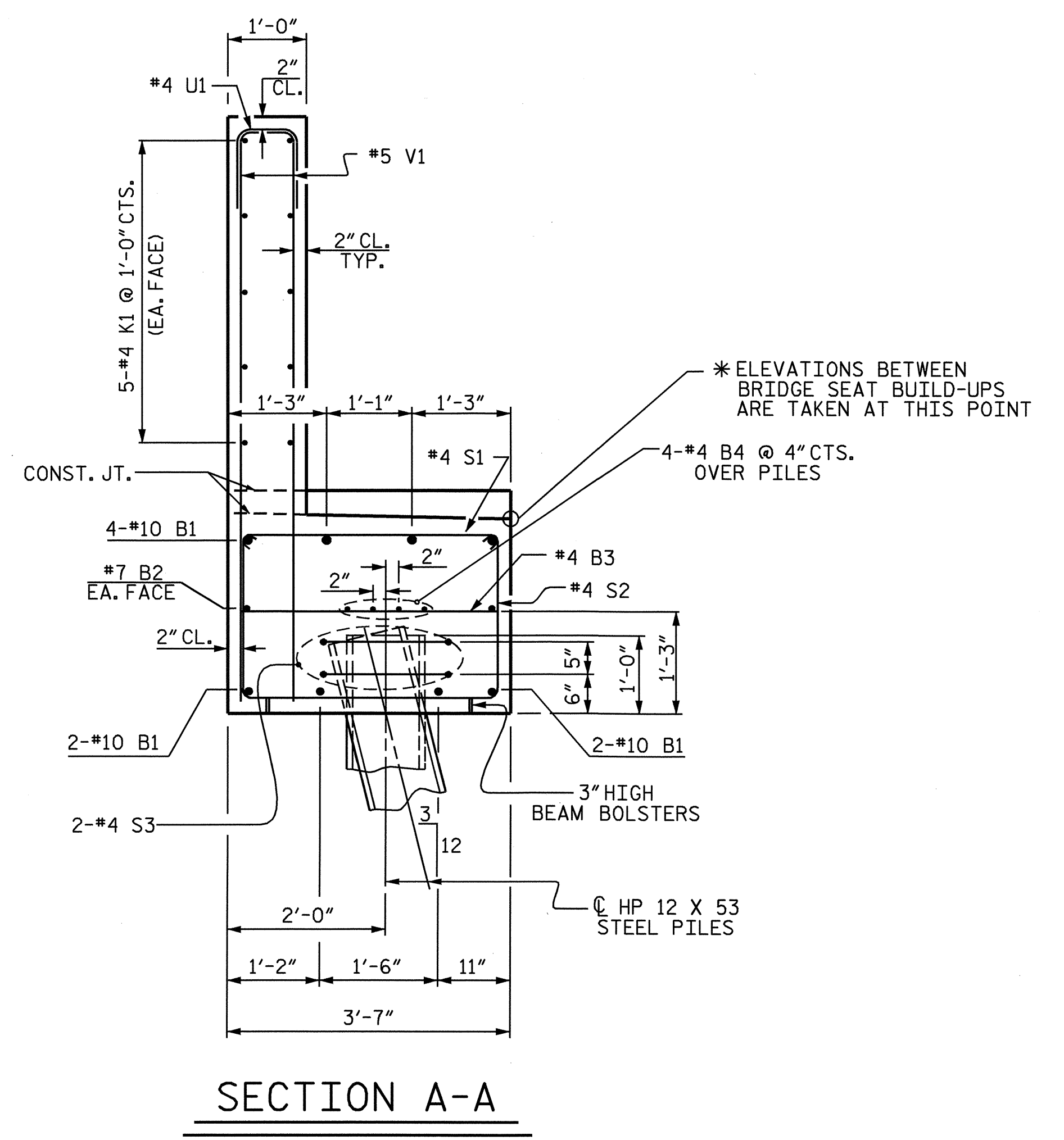


BAGGED STONE AND PIPE SHALL BE PLACED IMMEDIATELY AFTER COMPLETION OF END BENT EXCAVATION. PIPE MAY BE EITHER CONCRETE, CORRUGATED STEEL, CORRUGATED ALUMINUM ALLOY, OR CORRUGATED PLASTIC. PERFORATED PIPE WILL NOT BE ALLOWED.

BAGGED STONE SHALL REMAIN IN PLACE UNTIL THE ENGINEER DIRECTS THAT IT BE REMOVED. THE CONTRACTOR SHALL REMOVE AND DISPOSE OF SILT ACCUMULATIONS AT BAGGED STONE WHEN SO DIRECTED BY THE ENGINEER. BAGS SHALL BE REMOVED AND REPLACED WHENEVER THE ENGINEER DETERMINES THAT THEY HAVE DETERIORATED AND LOST THEIR EFFECTIVENESS.

NO SEPARATE PAYMENT WILL BE MADE FOR THIS WORK AND THE ENTIRE COST OF THIS WORK SHALL BE INCLUDED IN THE UNIT CONTRACT PRICE BID FOR THE SEVERAL PAY ITEMS.

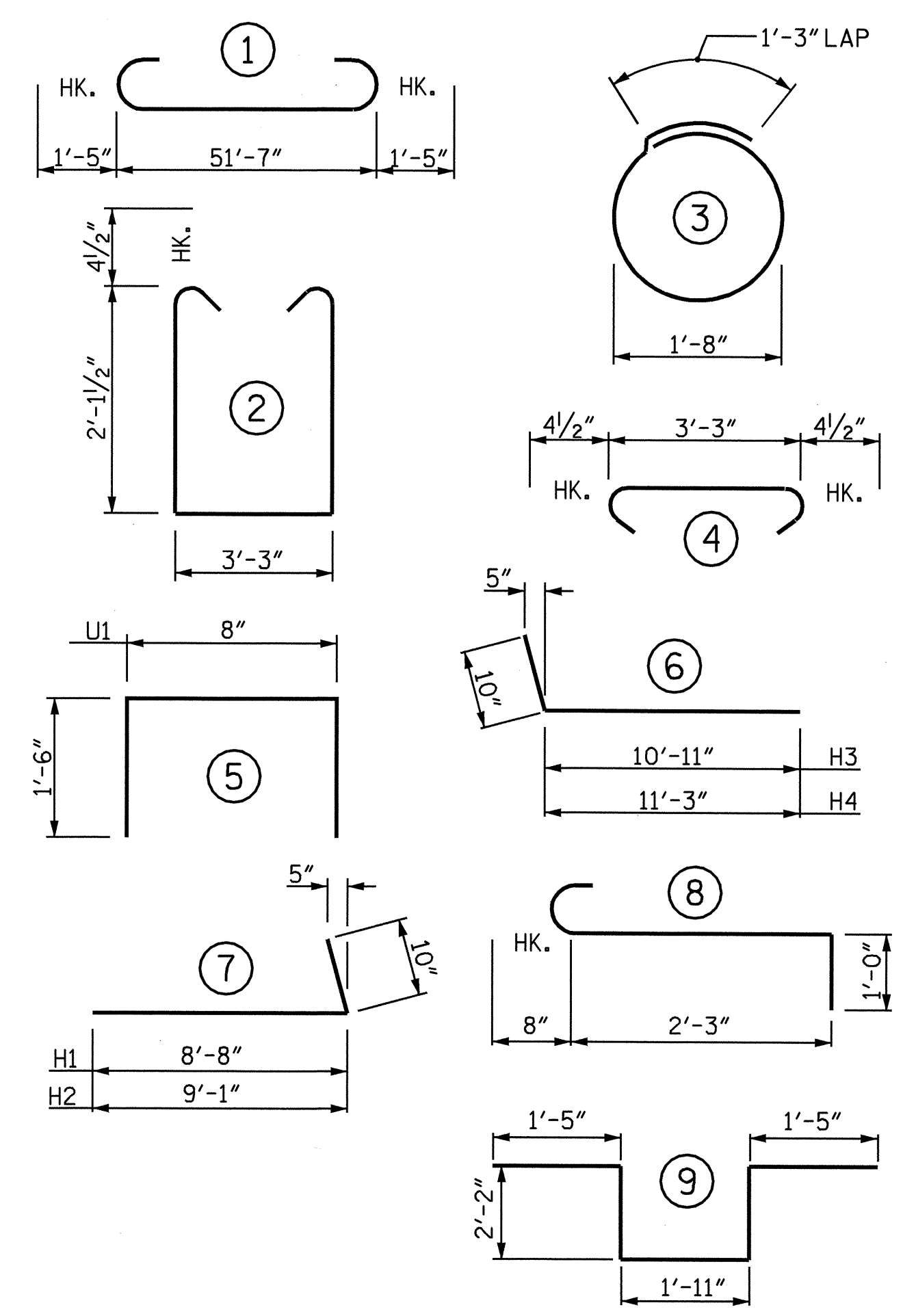
TEMPORARY DRAINAGE AT END BENT



SECTION A-A

DRAWN BY : G.O. COOPER DATE : 5SEPT03
CHECKED BY : J. G. KHARVA DATE : 7/16/04

BAR TYPES



ALL BAR DIMENSIONS ARE OUT TO OUT.

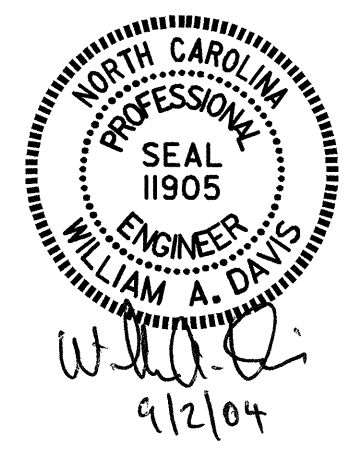
BILL OF MATERIAL

END BENT #2					
BAR	NO.	SIZE	TYPE	LENGTH	WEIGHT
B1	8	10		54'-5"	1873
B2	2	7	STR	51'-9"	212
B3	13	4	STR	3'-3"	28
B4	8	4	STR	27'-1"	145
H1	10	5	7	9'-6"	99
H2	10	5	7	9'-11"	103
H3	10	5	6	11'-9"	123
H4	10	5	6	12'-1"	126
K1	20	4	STR	27'-8"	370
K2	8	4	STR	2'-11"	16
S1	83	4	4	4'-0"	222
S2	83	4	2	8'-3"	457
S3	20	4	3	6'-6"	87
S4	3	4	8	3'-11"	8
S5	1	6	9	9'-1"	14
U1	46	4	5	3'-8"	113
V1	92	5	STR	6'-7"	632
V2	52	4	STR	7'-11"	275
REINFORCING STEEL					LBS. 4903
CLASS 'A' CONCRETE					
POUR 1: CAP & LOWER PART OF WINGS					C.Y. 19.4
POUR 2: BACKWALL & UPPER PART OF WINGS					C.Y. 12.7
TOTAL: HP 12 X 53 STEEL PILES					C.Y. 32.1
NO. 11 LIN. FT.					330.0
STEEL PILE POINTS					EACH 11

PROJECT NO. B-4096
DAVIDSON COUNTY
STATION: 20+38.40 -L-
SHEET 3 OF 3

STATE OF NORTH CAROLINA
DEPARTMENT OF TRANSPORTATION
RALEIGH

**SUBSTRUCTURE
END BENT #2**



REVISIONS						SHEET NO.
NO.	BY:	DATE:	NO.	BY:	DATE:	S-26
1			3			TOTAL SHEETS
2			4			33