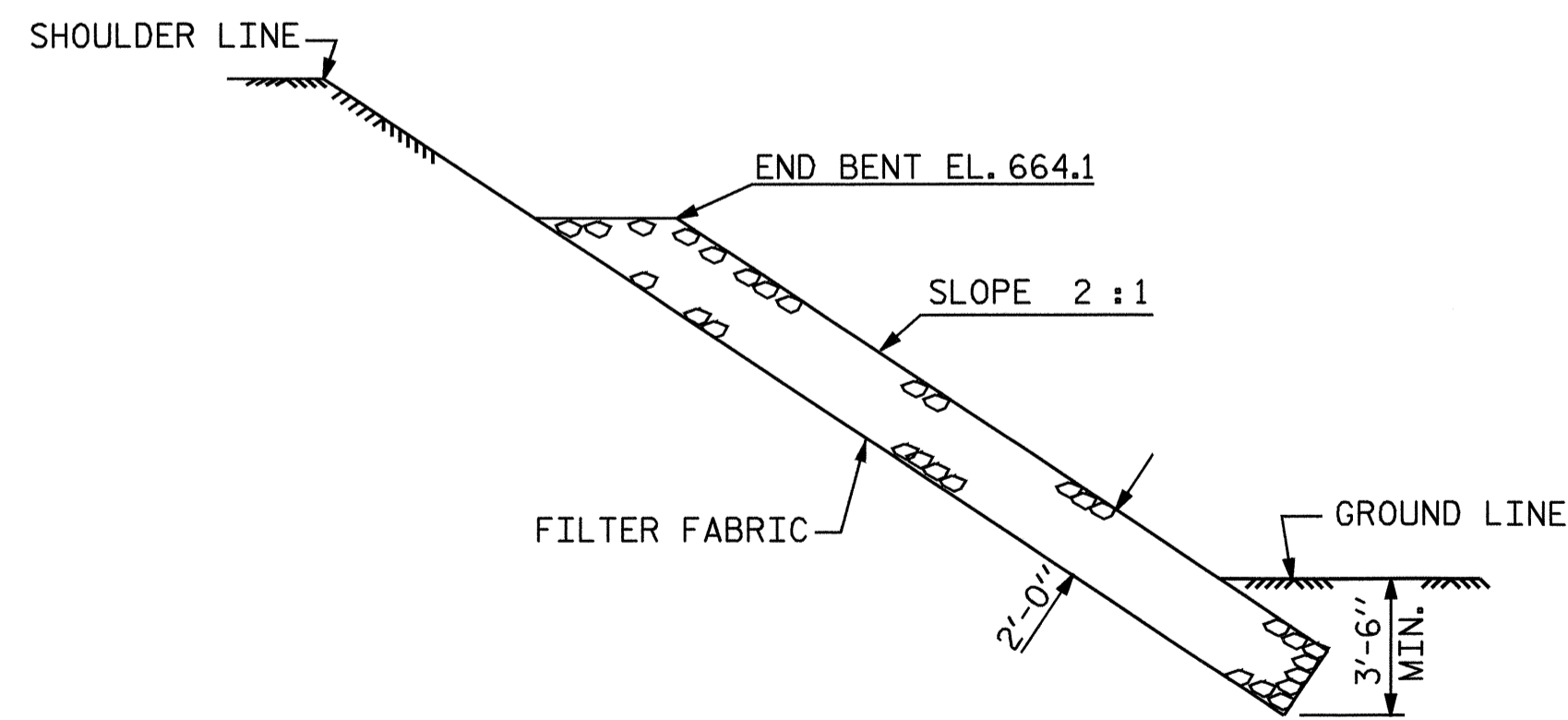


END BENT #1

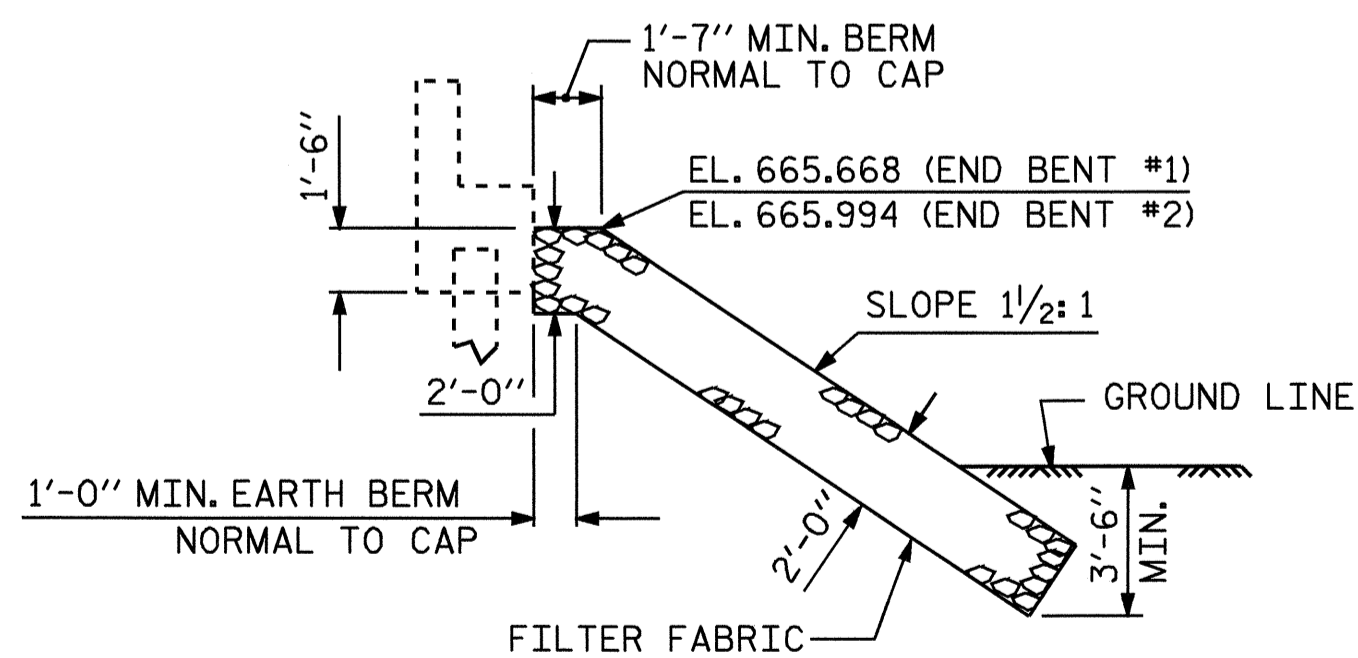
END BENT #2

PLAN

ESTIMATED QUANTITIES		
BRIDGE @ STA. 20+38.40 -L-	PLAIN RIP RAP CLASS II	FILTER FABRIC FOR DRAINAGE
	TONS	SQUARE YARDS
END BENT #1	320	356
END BENT #2	271	301

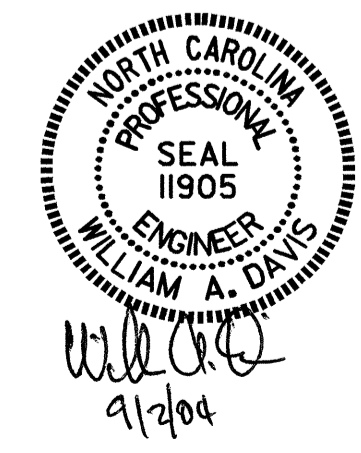


SECTION C-C



SECTION
BERM RIP RAPPED

PROJECT NO. B-4096
DAVIDSON COUNTY
 STATION: 20+38.40 -L-



STATE OF NORTH CAROLINA
 DEPARTMENT OF TRANSPORTATION
 RALEIGH
 STANDARD
 = RIP RAP DETAILS =

ASSEMBLED BY : G.O. COOPER	DATE : 2APRIL04
CHECKED BY : J. G. KHARVA	DATE : 5/04/04
DRAWN BY : REK 1/84	REV. 7/17/98 REK/RWW
CHECKED BY : RDU 1/84	REV. 8/16/99 RWW/LES
	REV. 10/17/00 RWW/LES

REVISIONS						SHEET NO.
NO.	BY:	DATE:	NO.	BY:	DATE:	5-27
1			3			TOTAL SHEETS
2			4			33