

STATE OF NORTH CAROLINA
DEPT. OF TRANSPORTATION
DIVISION OF HIGHWAYS
RALEIGH, N.C.

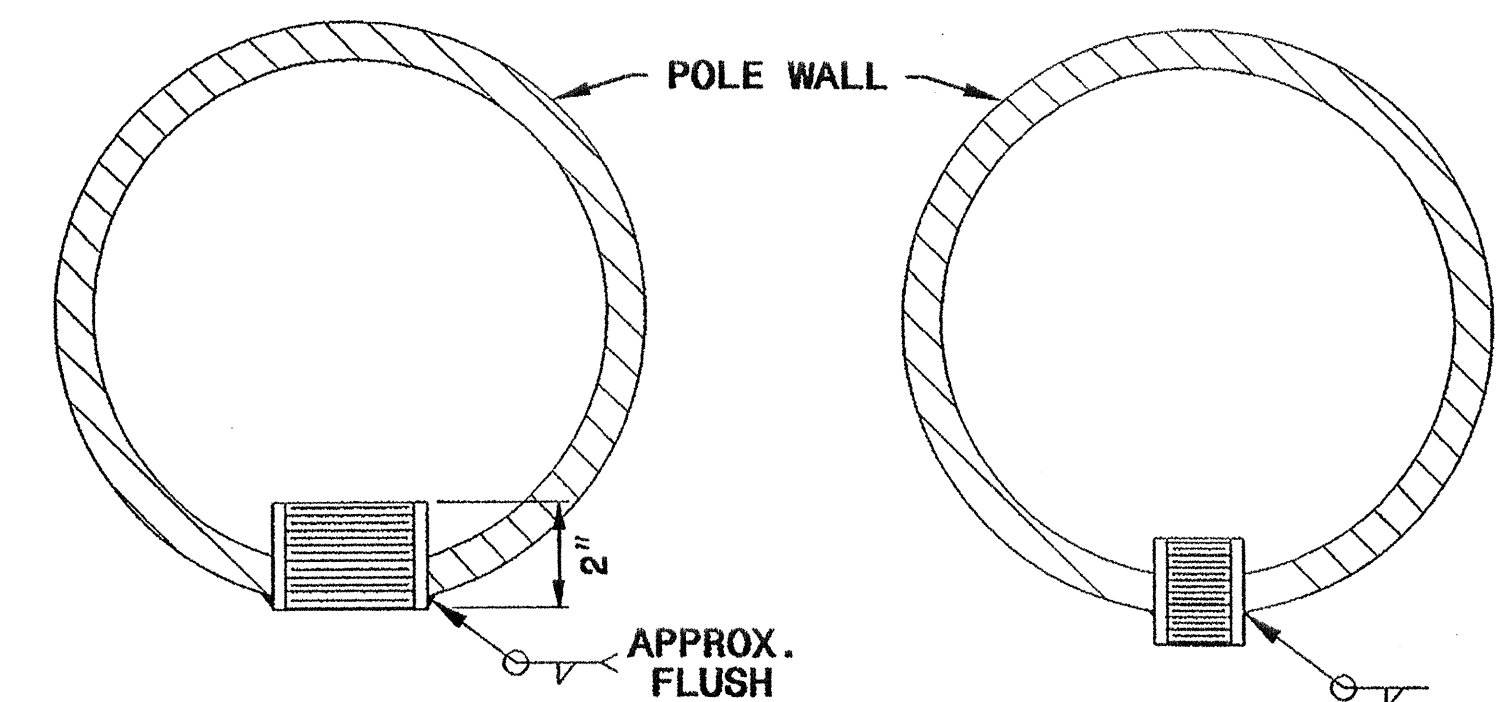
9-03

ENGLISH STANDARD DRAWING FOR
METAL POLES
MISCELLANEOUS DETAILS

SHEET 3 OF 3
1740.01

MOUNTING POINT DETAIL

CABLE ENTRANCE IN TERMINAL COMPARTMENT CABLE ENTRANCES AT TOP OF POLE



POLE WALL

APPROX. FLUSH

2"

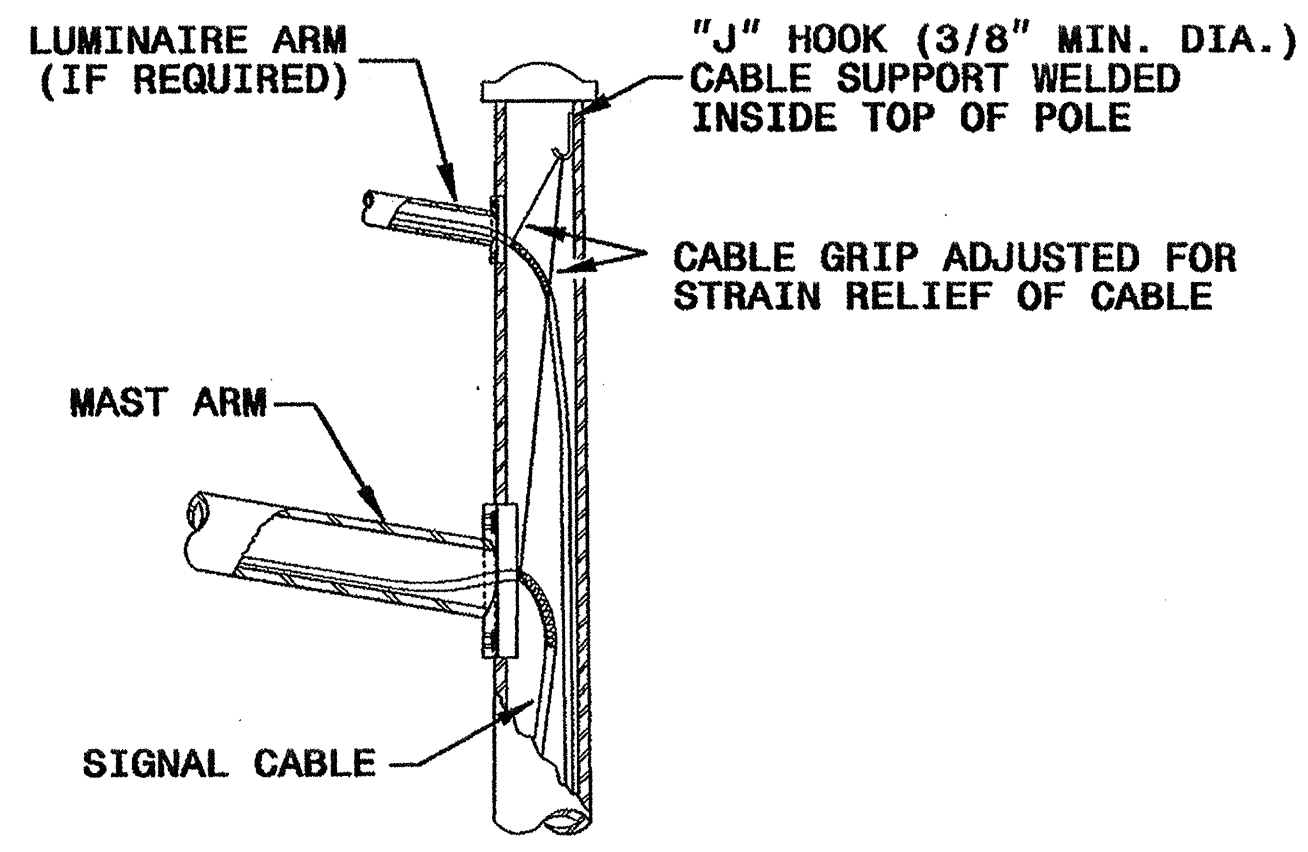
HALF COUPLING WITH INTERNAL 3" THREADS TO ACCEPT 3" METALLIC CONDUIT

SEE GENERAL NOTE NO. 1 ON SHEET 2 OF THIS STANDARD DRAWING FOR FABRICATION DETAILS.

HALF COUPLINGS WITH INTERNAL 1" & 2" THREADS TO ACCEPT 1" & 2" METALLIC CONDUITS

SEE GENERAL NOTE NO. 2 ON SHEET 2 OF THIS STANDARD DRAWING FOR FABRICATION DETAILS.

CABLE STRAIN RELIEF



LUMINAIRE ARM (IF REQUIRED)

"J" HOOK (3/8" MIN. DIA.)

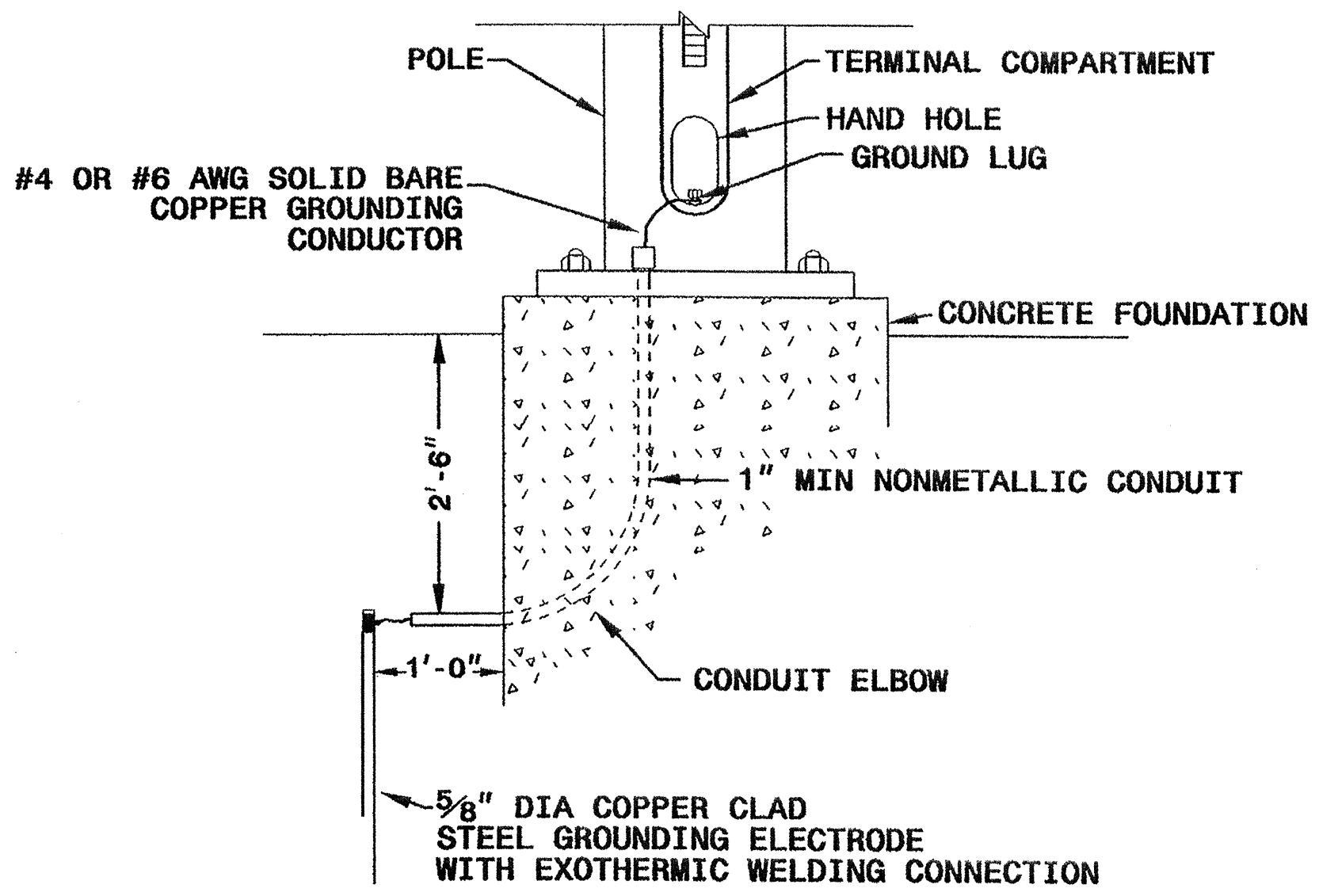
CABLE SUPPORT WELDED INSIDE TOP OF POLE

CABLE GRIP ADJUSTED FOR STRAIN RELIEF OF CABLE

MAST ARM

SIGNAL CABLE

METAL POLE GROUNDING DETAIL



POLE

TERMINAL COMPARTMENT

HAND HOLE

GROUND LUG

#4 OR #6 AWG SOLID BARE COPPER GROUNDING CONDUCTOR

CONCRETE FOUNDATION

1" MIN NONMETALLIC CONDUIT

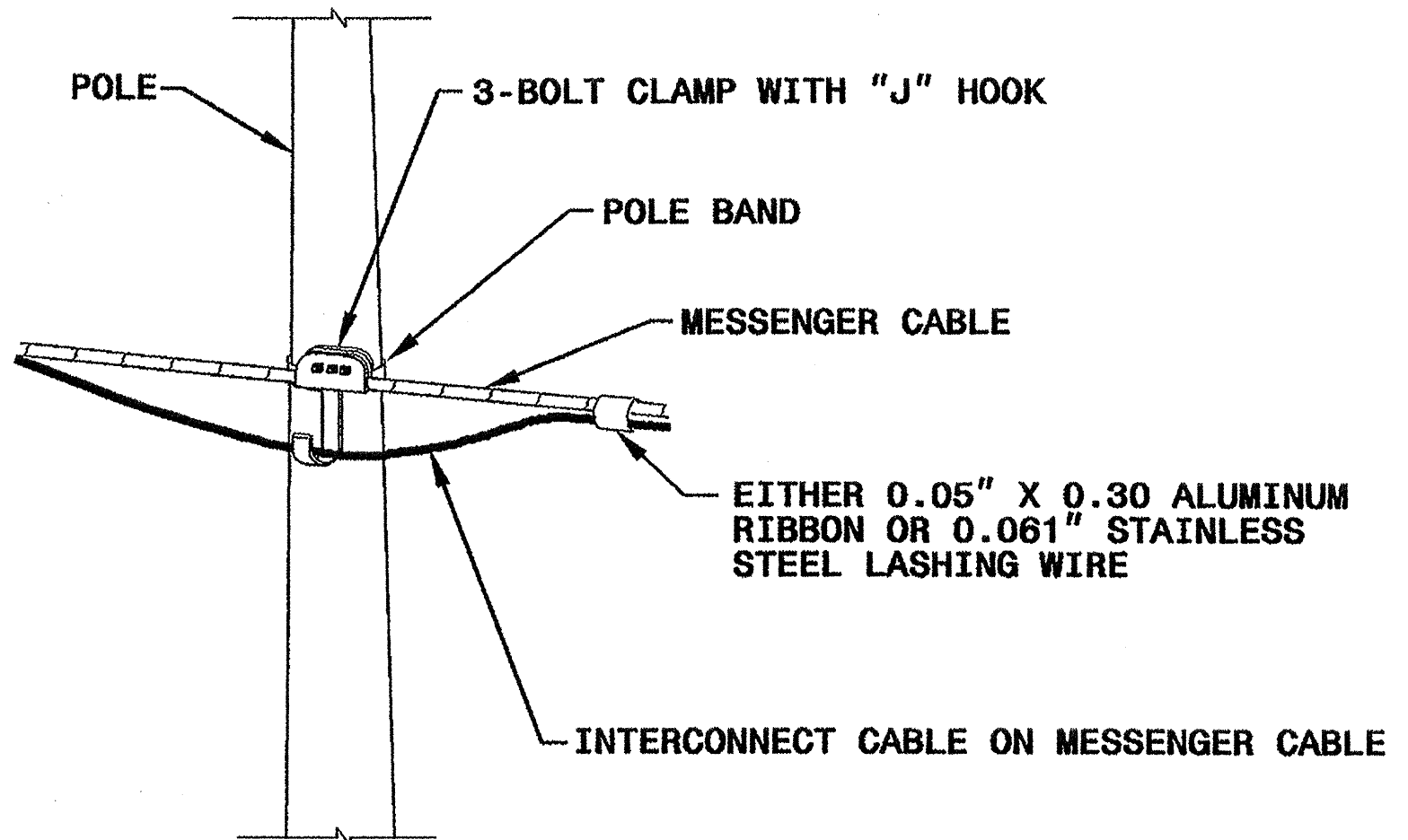
2'-6"

1'-0"

CONDUIT ELBOW

5/8" DIA COPPER CLAD STEEL GROUNDING ELECTRODE WITH EXOTHERMIC WELDING CONNECTION

ATTACHMENT OF CABLE TO INTERMEDIATE METAL POLE



POLE

3-BOLT CLAMP WITH "J" HOOK

POLE BAND

MESSENGER CABLE

EITHER 0.05" X 0.30 ALUMINUM RIBBON OR 0.061" STAINLESS STEEL LASHING WIRE

INTERCONNECT CABLE ON MESSENGER CABLE

STATE OF NORTH CAROLINA
DEPT. OF TRANSPORTATION
DIVISION OF HIGHWAYS
RALEIGH, N.C.

9-03

ENGLISH STANDARD DRAWING FOR
METAL POLES
MISCELLANEOUS DETAILS

SHEET 3 OF 3
1740.01

<p>Structural Engineer</p> <p>DEBESH C. SARTHAR</p> <p>9/19/2003</p>	<p>Electrical Engineer</p> <p>MILTON DEAN</p> <p>9/22/03</p>
<p>Standard Drawings</p> <p>Traffic Management and Signal Systems Unit</p> <p>122 N. McDowell St., Raleigh, NC 27603</p>	
<p>See Plate for Title</p>	
<p>Original: 2002 Standards</p>	

19-SEP-2003 14:27
\\fprc01\es-un1\kkr\p\cupsaw\3\roadway\standard\dwg\sig\1\shp\on sheets\174001 second.dgn
p01 exchm08r