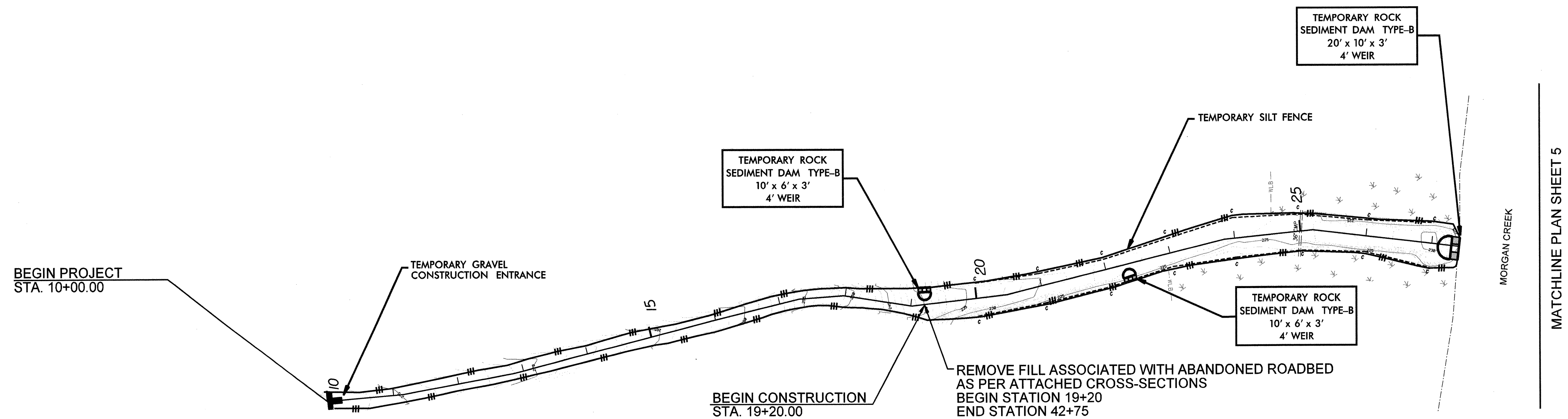
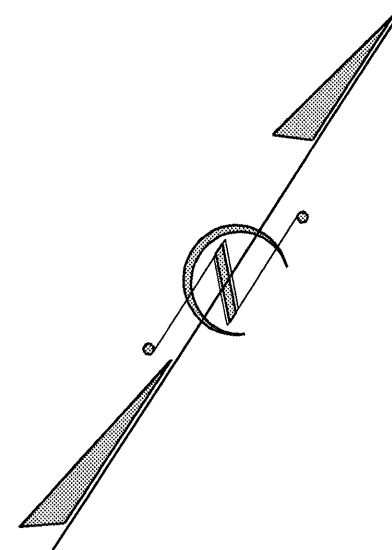
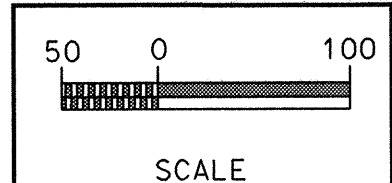


8/17/99

PROJECT REFERENCE NO. B-2963	SHEET NO. WM-23
PROJECT ENGINEER	



NOTE:

- NOTES:
1. CONTRACTOR MAY NEED TO CONSTRUCT ACCESS TO WEST SIDE.
 2. CONTRACTOR SHALL NOT DISTURB EXISTING WETLANDS BORDERING PROJECT.
 3. ACCESS TO EAST SIDE OF PROJECT IS CONTROLLED BY NCDOT DIVISION LOCKED GATE.

WEST

C:\projects\transportation\design\environmental\71000198_stream_PSH_WM24.dgn