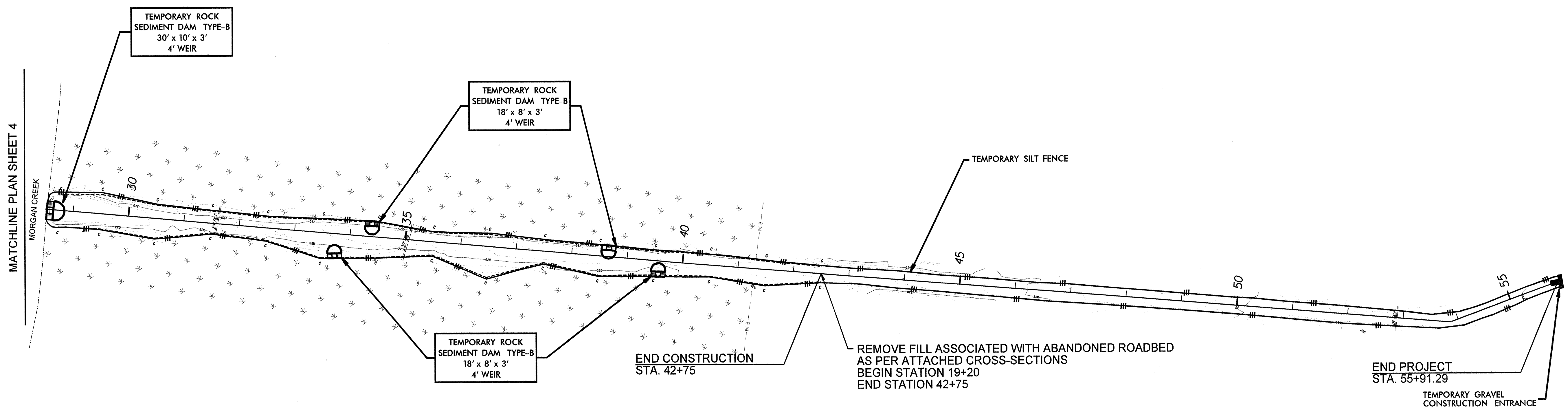
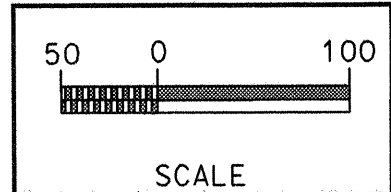
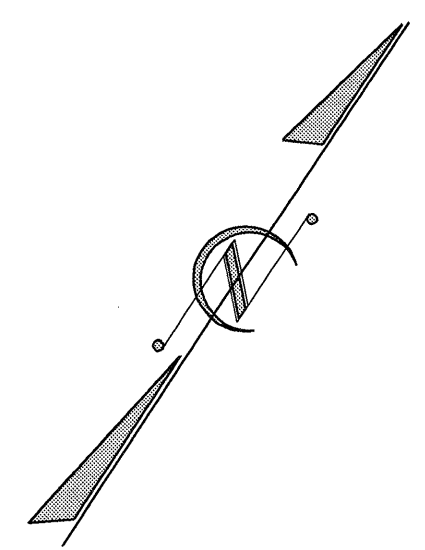


PROJECT REFERENCE NO.	SHEET NO.
B-2963	WM-24
PROJECT ENGINEER	



NOTE:  
 ASPHALT PILES NEAR STATION 10+00 AND 55+00  
 SHALL BE REMOVED BY CONTRACTOR

- NOTES:
1. CONTRACTOR MAY NEED TO CONSTRUCT ACCESS TO WEST SIDE.
  2. CONTRACTOR SHALL NOT DISTURB EXISTING WETLANDS BORDERING PROJECT.
  3. ACCESS TO EAST SIDE OF PROJECT IS CONTROLLED BY NCDOT DIVISION LOCKED GATE.

**EAST**

8/17/99

C:\transportation\design\environmental\71000198\_stream\_PSH\_WM25.dgn