

8/17/99

PROJECT REFERENCE NO. B-2963	SHEET NO. UC-2
DESIGNED BY: KAK	
DRAWN BY: KAK	
CHECKED BY: RGW	
APPROVED BY: RGW	
REVISED:	
NORTH CAROLINA DEPARTMENT OF TRANSPORTATION	
DESIGN SERVICES UNIT PHONE: (919)250-4128 FAX: (919)250-4119	
UTILITY CONSTRUCTION PLANS ONLY	

UTILITY CONSTRUCTION

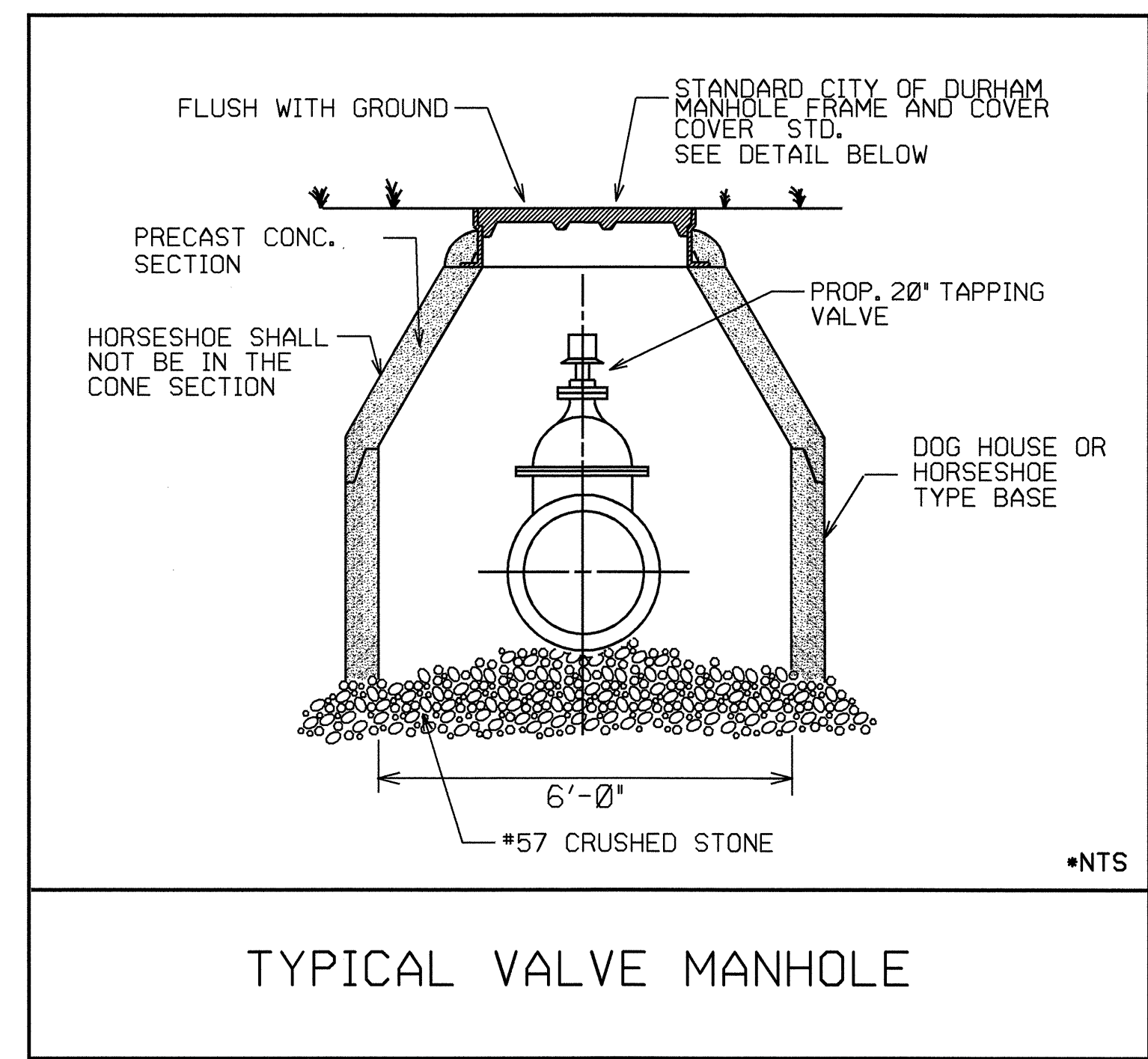
NOTE: THE EXISTING FORCE MAIN SEWER LINE IS OWNED BY CITY OF DURHAM

ALL DI PIPE, BENDS AND VALVES SHALL BE RESTRAINED

DI PLUGS AND THE 20" X 20" TAPPING SLEEVES SHALL HAVE CONCRETE REACTION BACKING FOR THRUST RESTRAINT

DENOTES EXCAVATION TO NATURAL GROUND (STRUCTURE ITEM)

NOTE: 4" SCUPPERS ON 6' CENTER FROM 23+65 TO 24+31 AND 25+48 TO 26+20 LT. FROM 23+67 TO 24+42 AND 25+27 TO 26+11 RT. NOTE: NO DECK DRAINS DIRECTLY OVER CREEK AND BANKS.



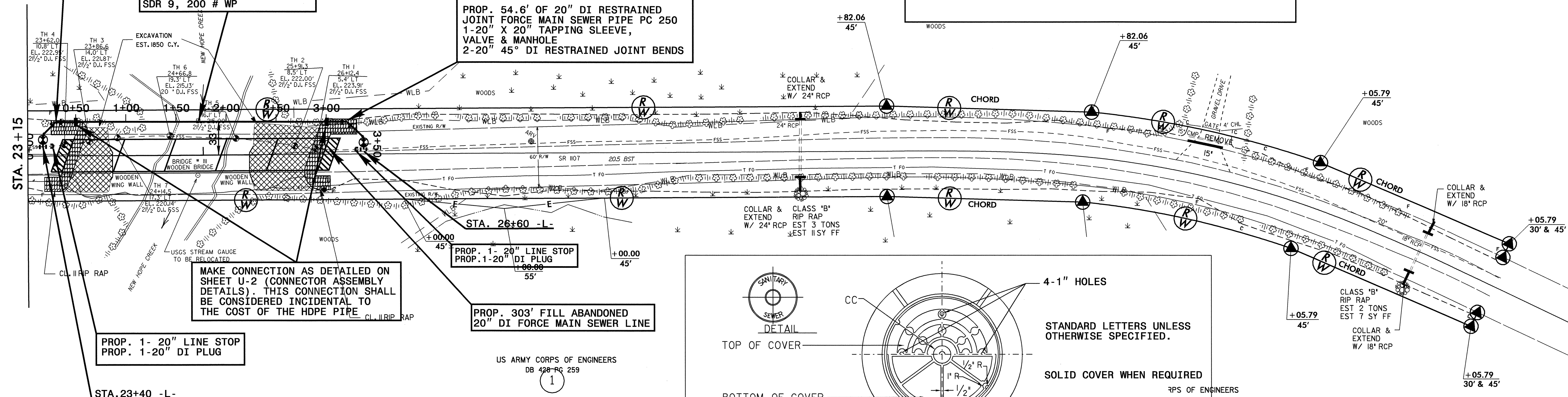
PROP. 50.2' OF 20" DI RESTRAINED JOINT FORCE MAIN SEWER PIPE PC 250 1-20" X 20" TAPPING SLEEVE, VALVE & MANHOLE 2-20" 45° DI RESTRAINED JOINT BENDS

DIPS- DI PIPE SIZE

US ARMY CORPS OF ENGINEERS DB 428 PG 259

PROP. 250.6' OF 24" HDPE FORCE MAIN SEWER PIPE (DIPS) SDR 9, 200 # WP

PROP. 54.6' OF 20" DI RESTRAINED JOINT FORCE MAIN SEWER PIPE PC 250 1-20" X 20" TAPPING SLEEVE, VALVE & MANHOLE 2-20" 45° DI RESTRAINED JOINT BENDS



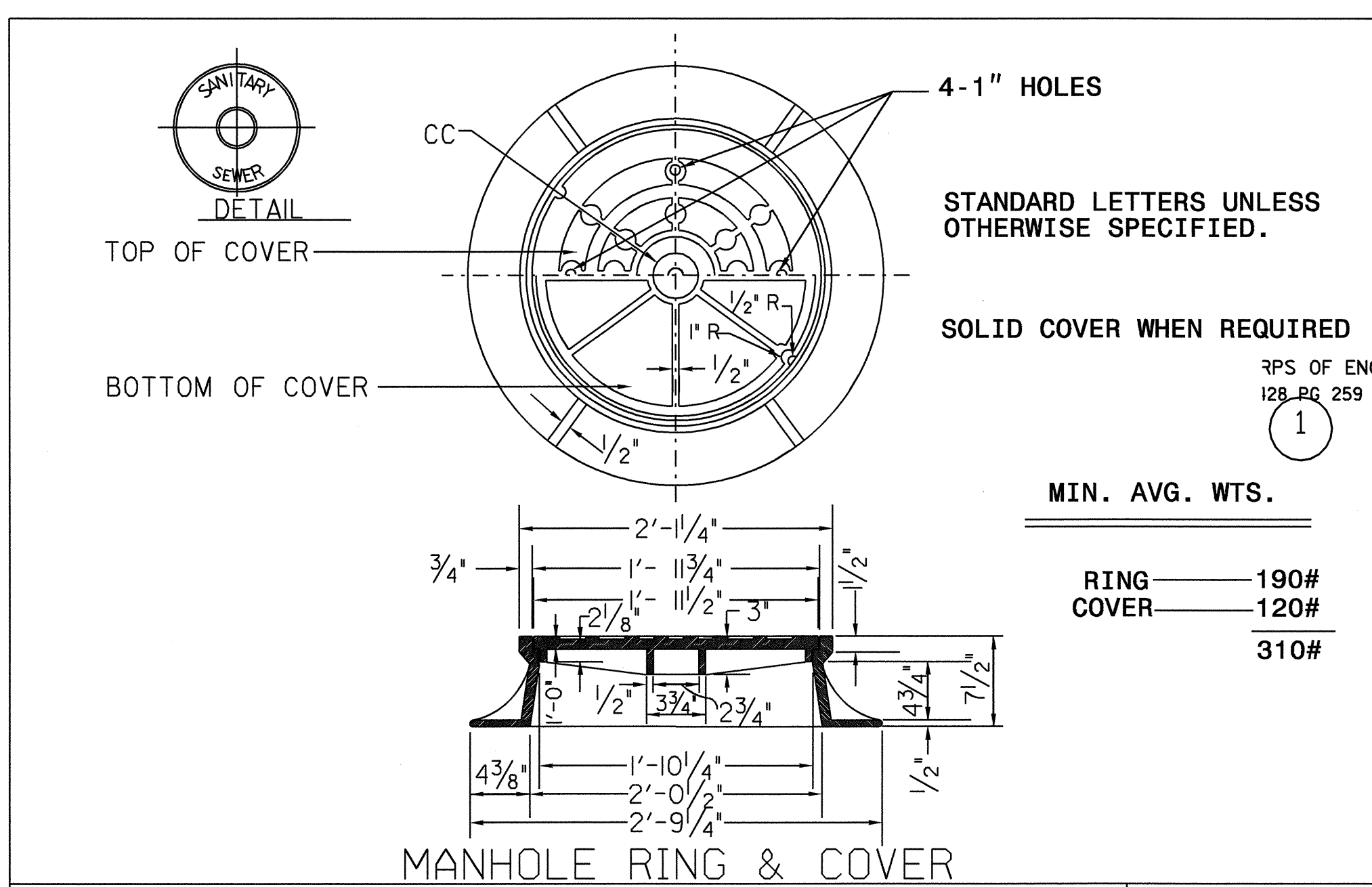
MAKE CONNECTION AS DETAILED ON SHEET U-2 (CONNECTOR ASSEMBLY DETAILS). THIS CONNECTION SHALL BE CONSIDERED INCIDENTAL TO THE COST OF THE HDPE PIPE

PROP. 1- 20" LINE STOP PROP. 1-20" DI PLUG

PROP. 1- 20" LINE STOP PROP. 1-20" DI PLUG

PROP. 303' FILL ABANDONED 20" DI FORCE MAIN SEWER LINE

US ARMY CORPS OF ENGINEERS DB 428 PG 259



STANDARD LETTERS UNLESS OTHERWISE SPECIFIED.

SOLID COVER WHEN REQUIRED

MIN. AVG. WTS.

RING	190#
COVER	120#
	310#

Date: JUNE, 1990

09-CCT-2009 14:04
 U:\C111\k\BFP\jects\B2963\alt5\2963s5_LUC2.psh
 11/11/99 10:30:33