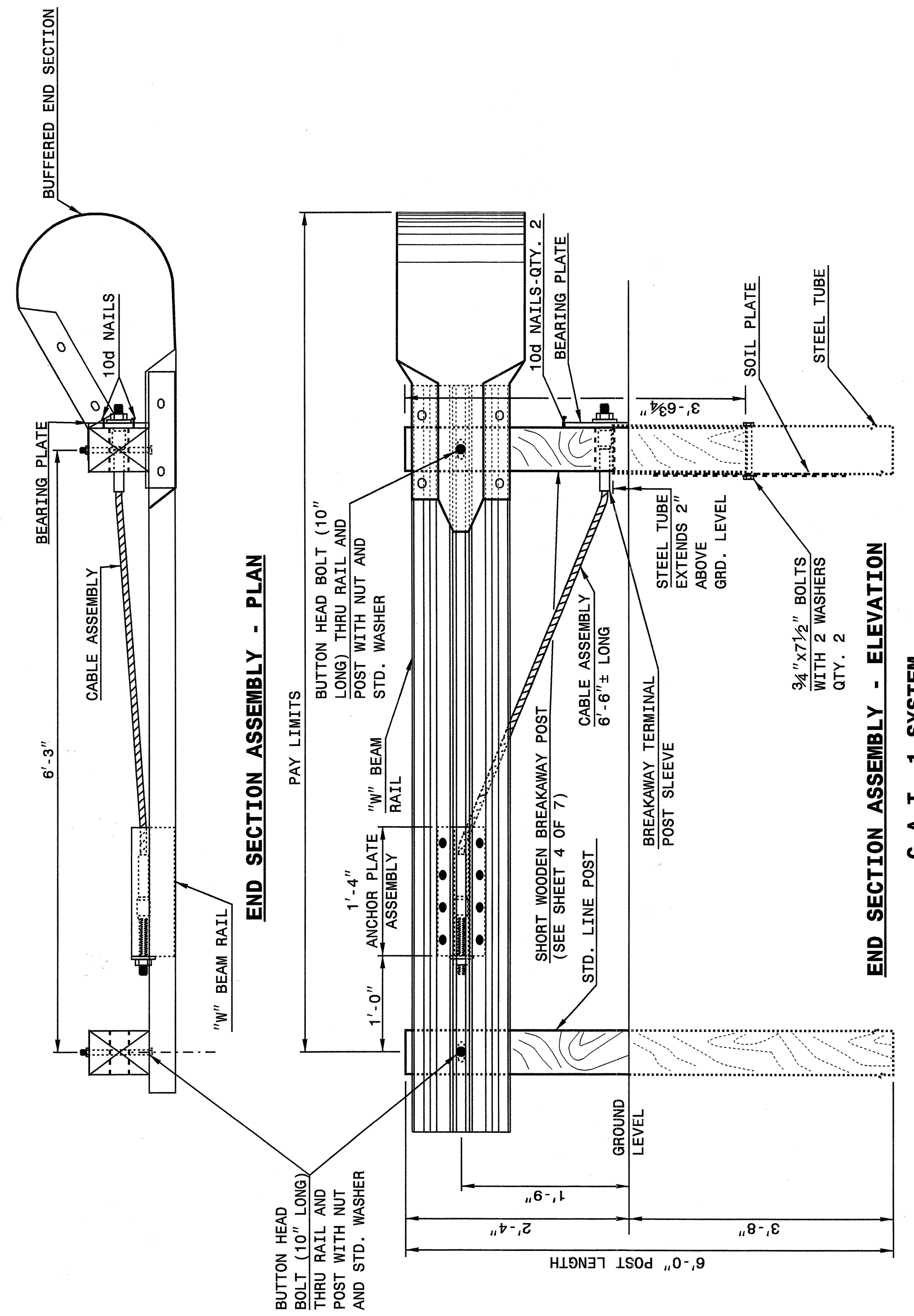


STATE OF  
NORTH CAROLINA  
DEPT. OF TRANSPORTATION  
DIVISION OF HIGHWAYS  
RALEIGH, N.C.

ENGLISH DETAIL DRAWING FOR  
**GUARDRAIL INSTALLATION**

SHEET 1 OF 7  
**862D02**



STATE OF  
NORTH CAROLINA  
DEPT. OF TRANSPORTATION  
DIVISION OF HIGHWAYS  
RALEIGH, N.C.

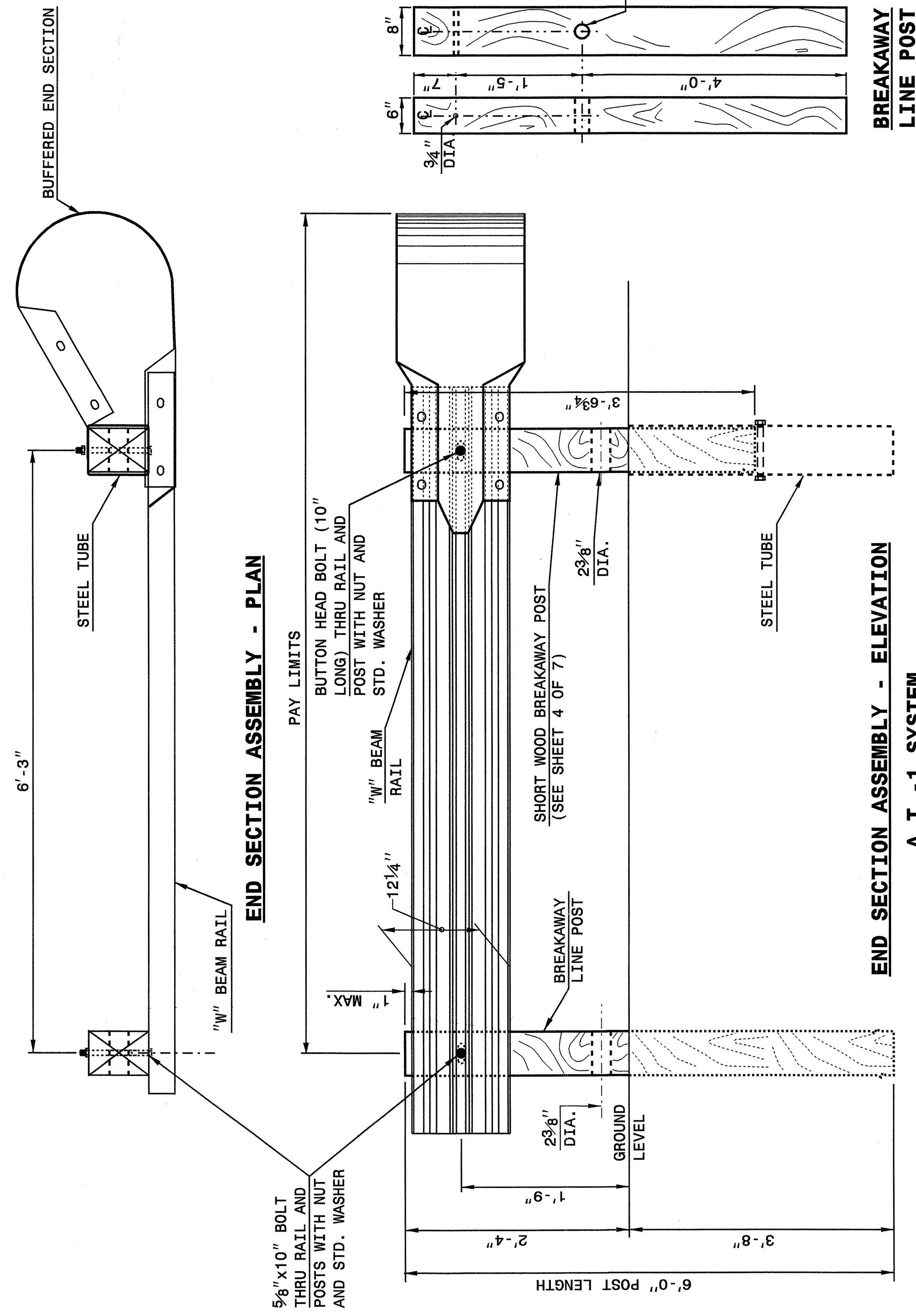
ENGLISH DETAIL DRAWING FOR  
**GUARDRAIL INSTALLATION**

SHEET 1 OF 7  
**862D02**

STATE OF  
NORTH CAROLINA  
DEPT. OF TRANSPORTATION  
DIVISION OF HIGHWAYS  
RALEIGH, N.C.

ENGLISH DETAIL DRAWING FOR  
**GUARDRAIL INSTALLATION**

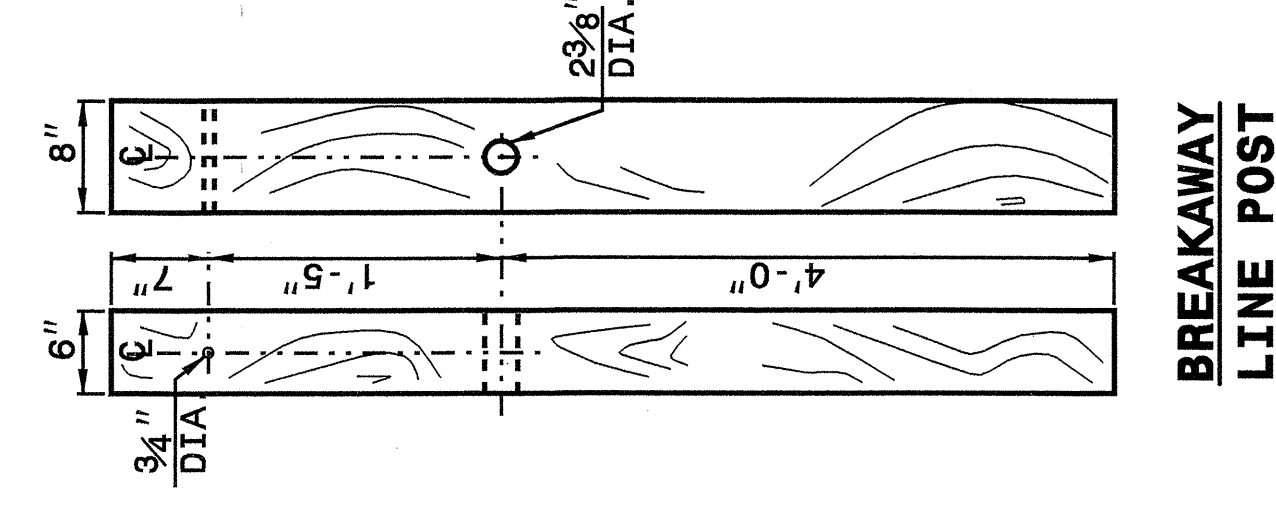
SHEET 2 OF 7  
**862D02**



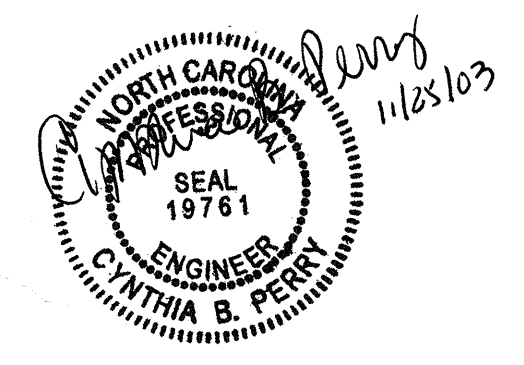
STATE OF  
NORTH CAROLINA  
DEPT. OF TRANSPORTATION  
DIVISION OF HIGHWAYS  
RALEIGH, N.C.

ENGLISH DETAIL DRAWING FOR  
**GUARDRAIL INSTALLATION**

SHEET 2 OF 7  
**862D02**



**BREAKAWAY  
LINE POST**



**DESIGN SERVICES UNIT  
STANDARDS AND SPECIAL DESIGN**  
Office 919-250-4128 FAX 919-250-4119

**SEE PLATE FOR TITLE**

ORIGINAL BY: 2002 STD.862.02 DATE:  
MODIFIED BY: F.E. WARD DATE: 02-09-03  
CHECKED BY: [Signature] DATE: 5-03  
FILE SPEC.: /usr/86202/02tode11/eng11sh/86202/862d02.dgn

22-MAY-2003 10:17  
W:\Special\_Details\ecward\stds\02\stds to Special\_Details\english\86202\0862d02.dgn  
ericward AT US212260