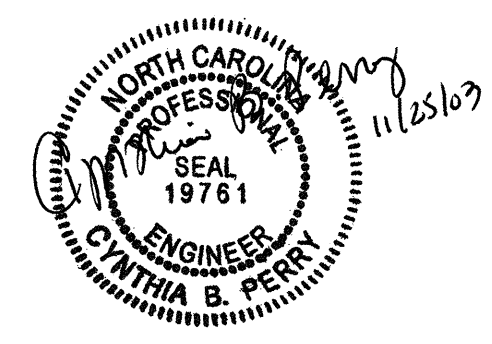
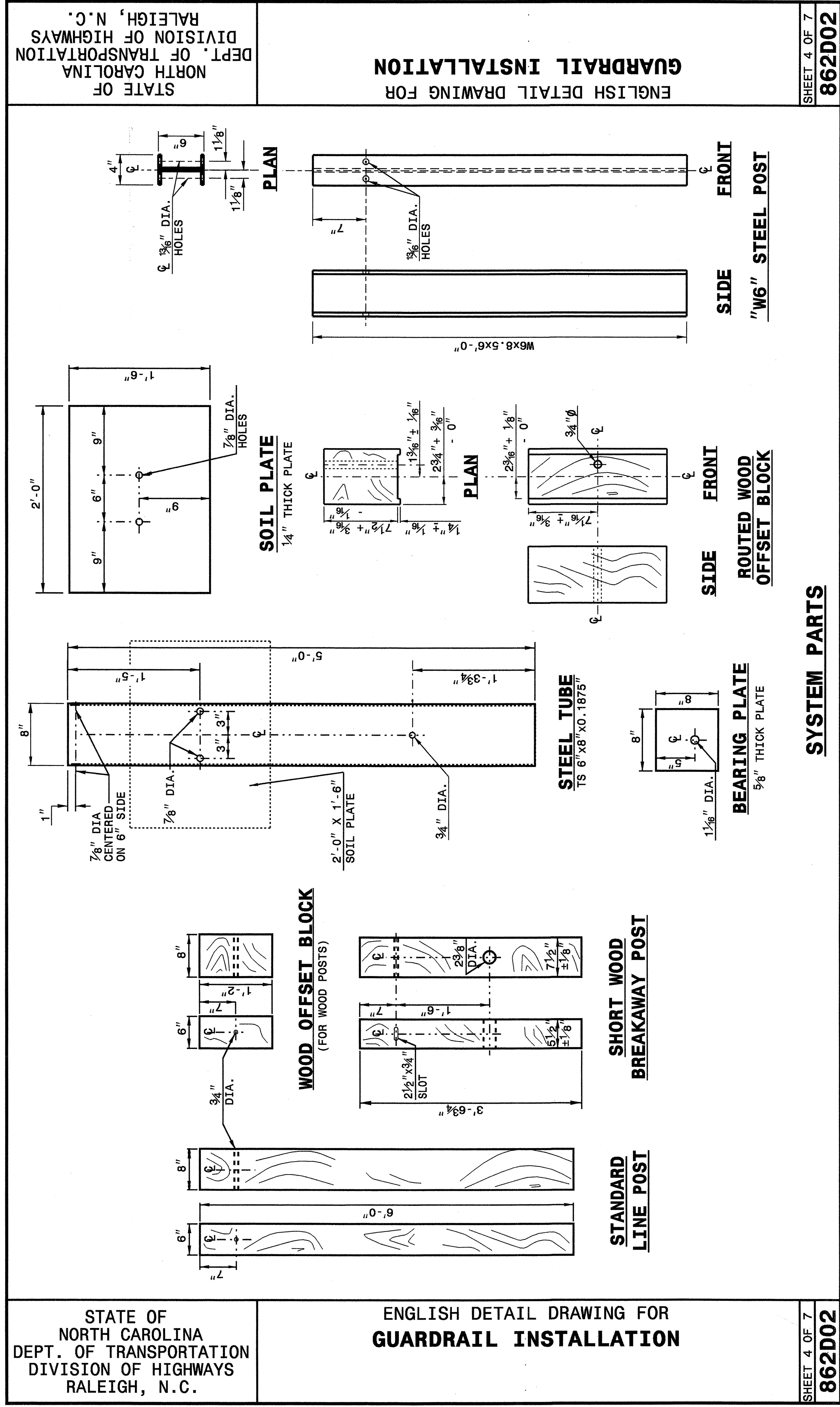
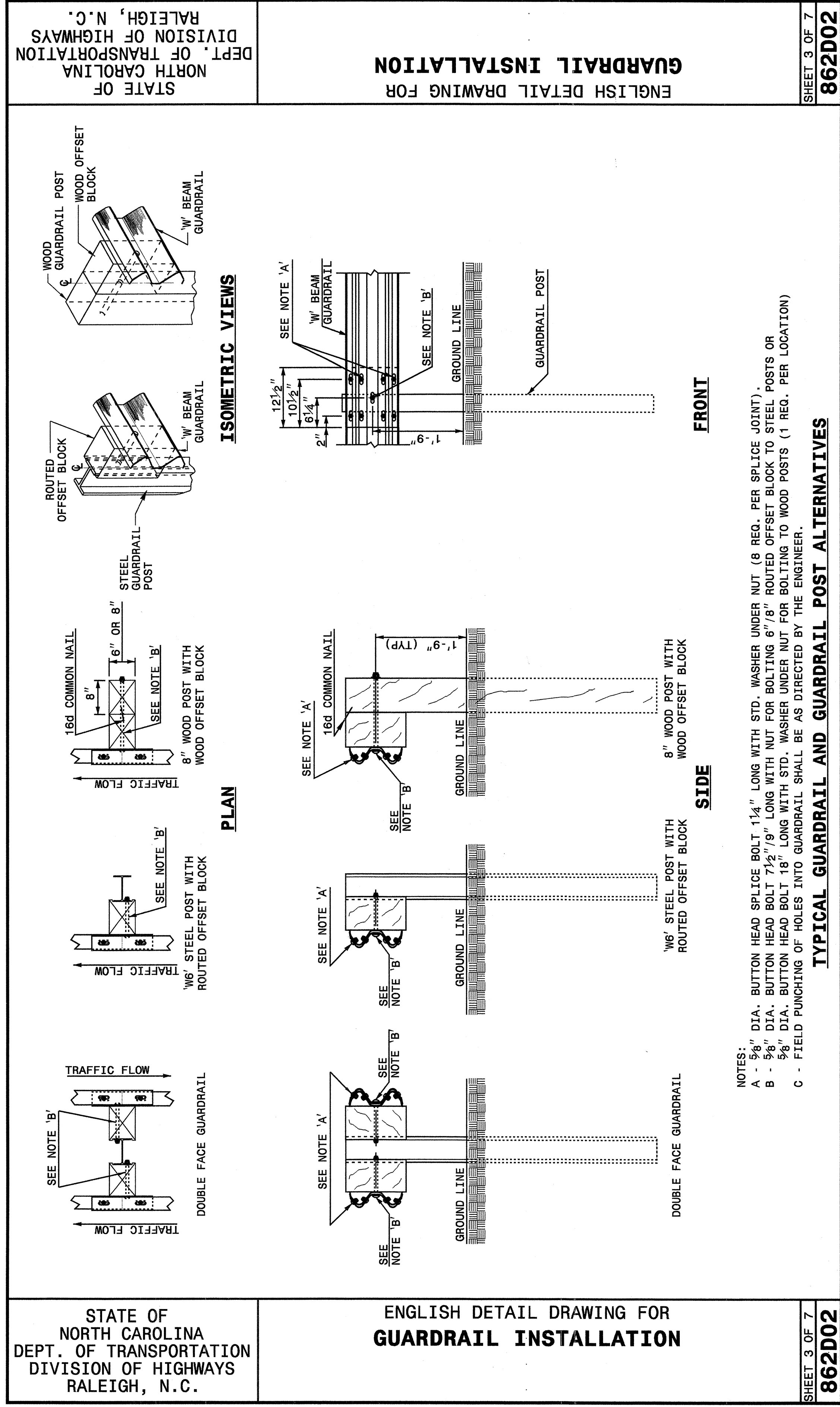


22-MAY-2003 10:17
 V:\Special Details\ericward\stds\02\stds to Special Details\english\86202\0862d02.dgn
 ericward

5/14/99



DESIGN SERVICES UNIT
 STANDARDS AND SPECIAL DESIGN
 Office 919-250-4128 FAX 919-250-4119

SEE PLATE FOR TITLE

ORIGINAL BY: 2002 STD.862.02 DATE:
 MODIFIED BY: E.E. WARD DATE: 02-09-03
 CHECKED BY: [Signature] DATE: 5-03
 FILE SPEC.: /usr/std/02todet/1/english/86202/862d02.dgn