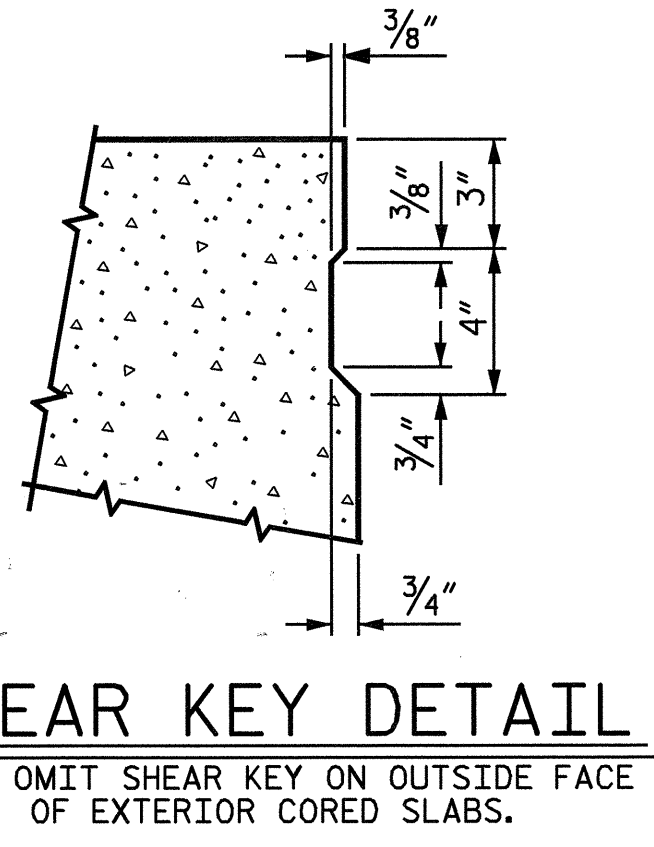
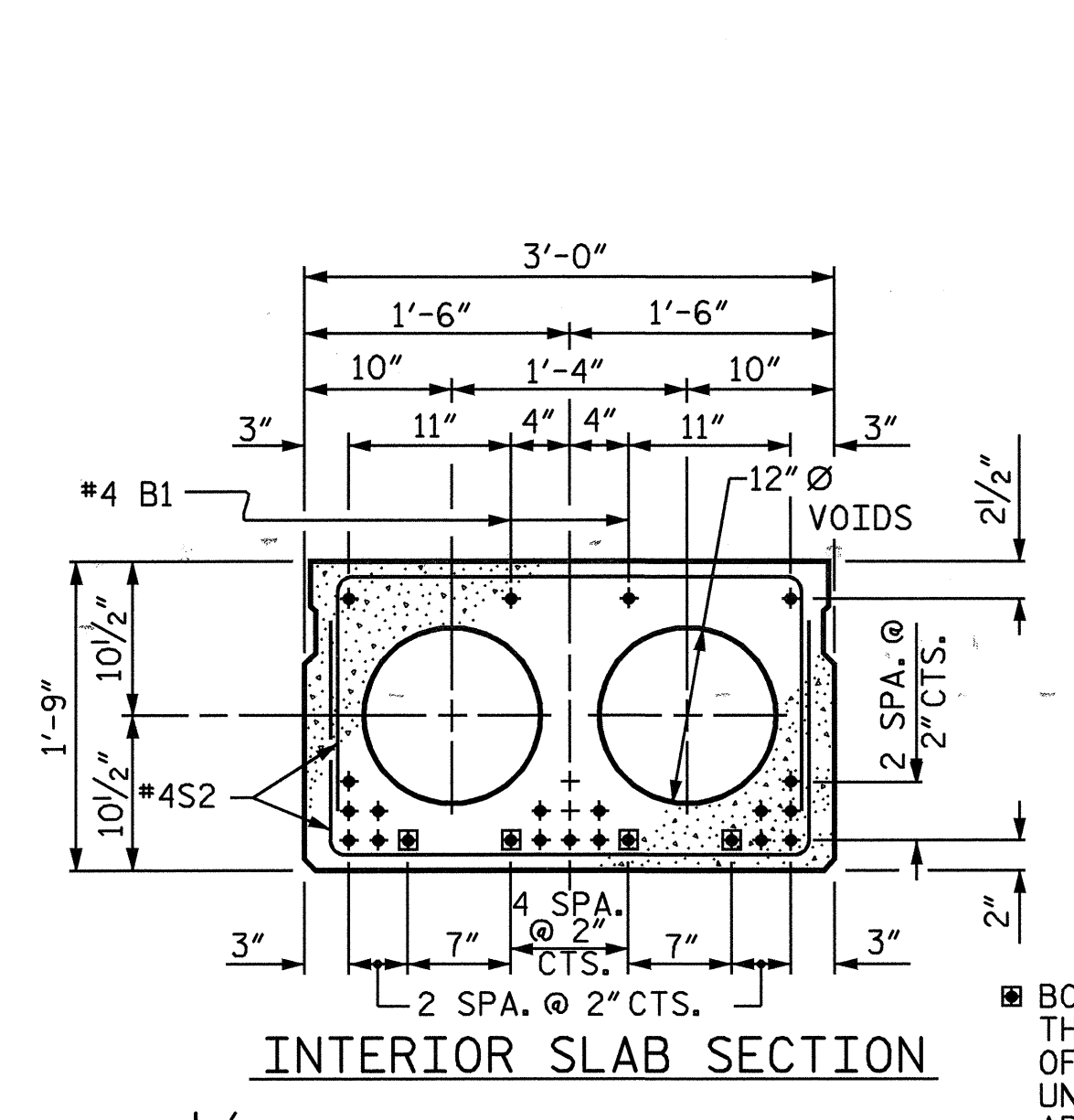
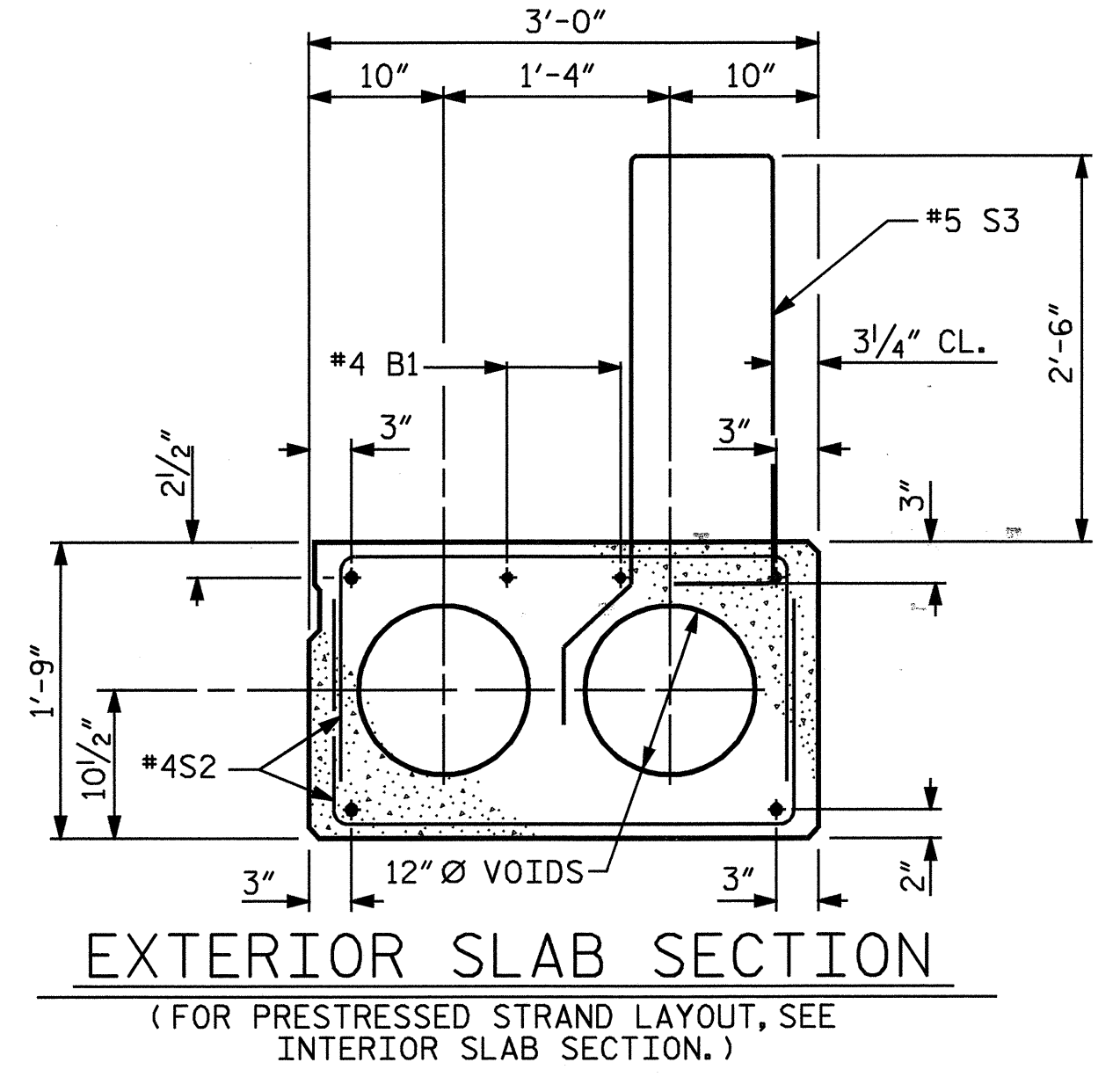
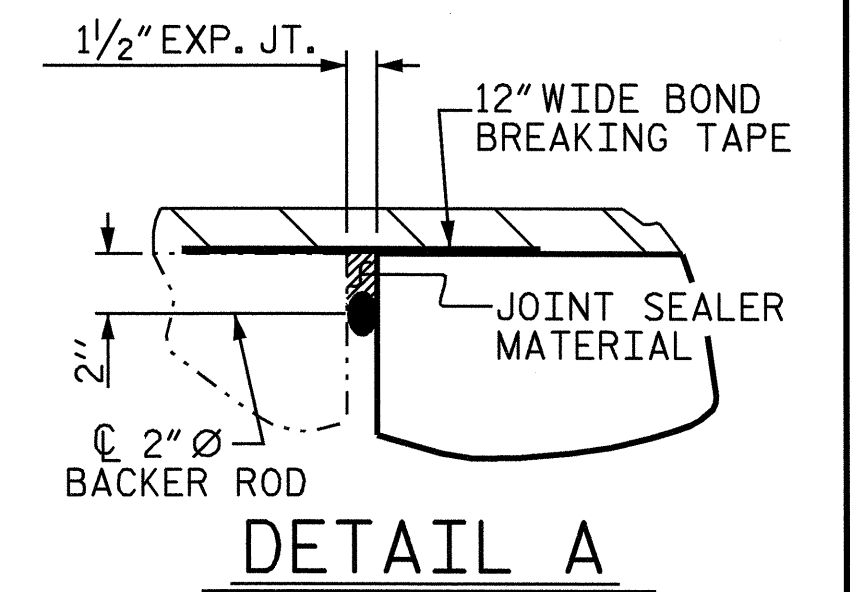
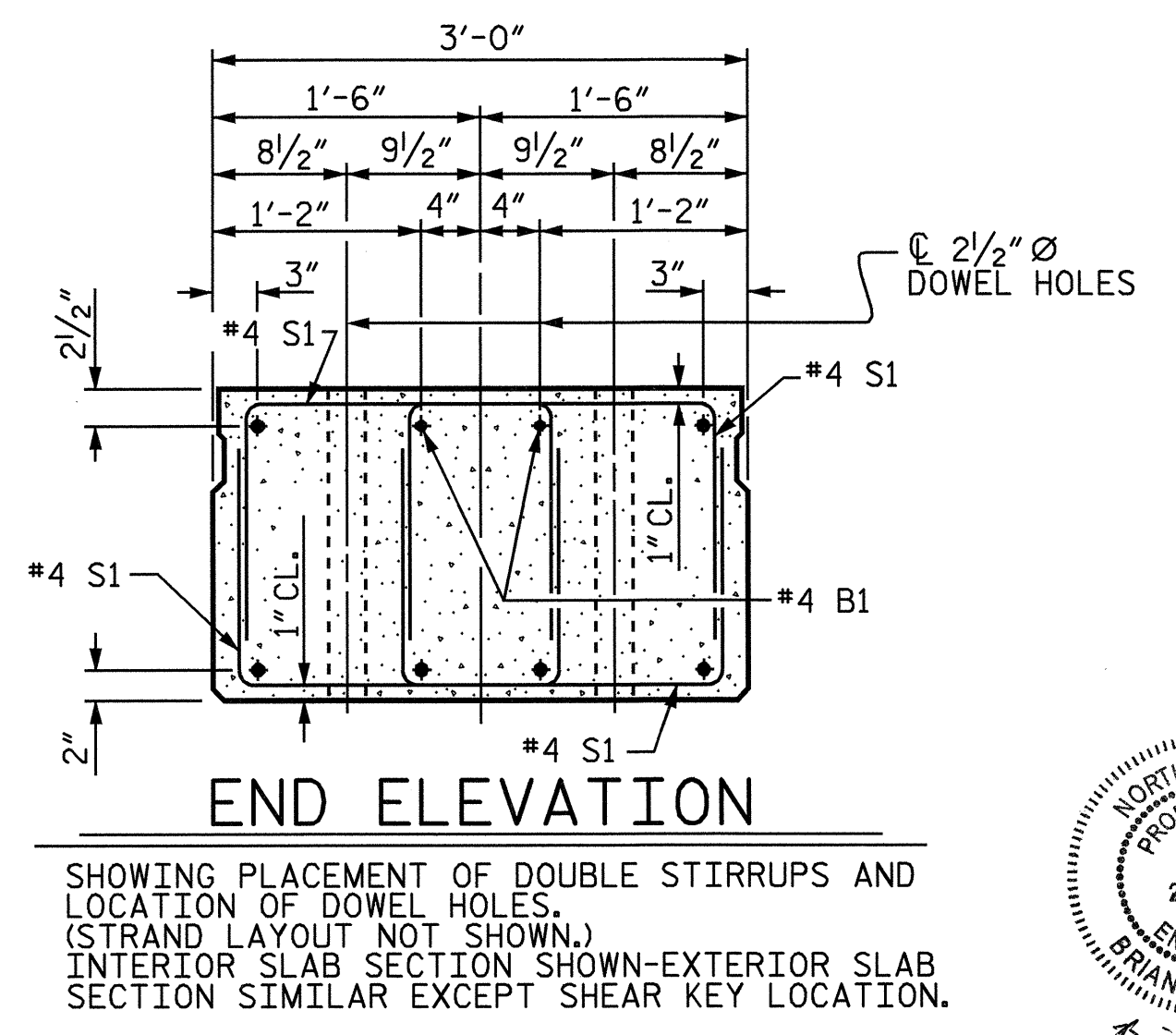


GROUTED RECESS AT END OF POST-TENSIONED STRAND CORED SLABS



BOND SHALL BE BROKEN ON THESE STRANDS FOR A DISTANCE OF 4'-0" FROM END OF CORED SLAB UNIT. SEE STANDARD SPECIFICATIONS ARTICLE 1078-7



DRAWN BY: William J. Parker DATE: 04/22/02
CHECKED BY: J. KHARVA DATE: 9/19/02

1/2" Ø LOW RELAXATION STRAND LAYOUT
21 STRANDS (4 SHEATHED, ALL SPANS)

PROJECT NO. B-2963
DURHAM COUNTY
STATION: 24+92.50 -L-

STATE OF NORTH CAROLINA DEPARTMENT OF TRANSPORTATION RALEIGH					
SUPERSTRUCTURE 3'-0" X 1'-9" PRESTRESSED CORED SLAB UNIT					
REVISIONS					
NO.	BY:	DATE:	NO.	BY:	DATE:
1			3		
2			4		
					SHEET NO. S-4
					TOTAL SHEETS 32