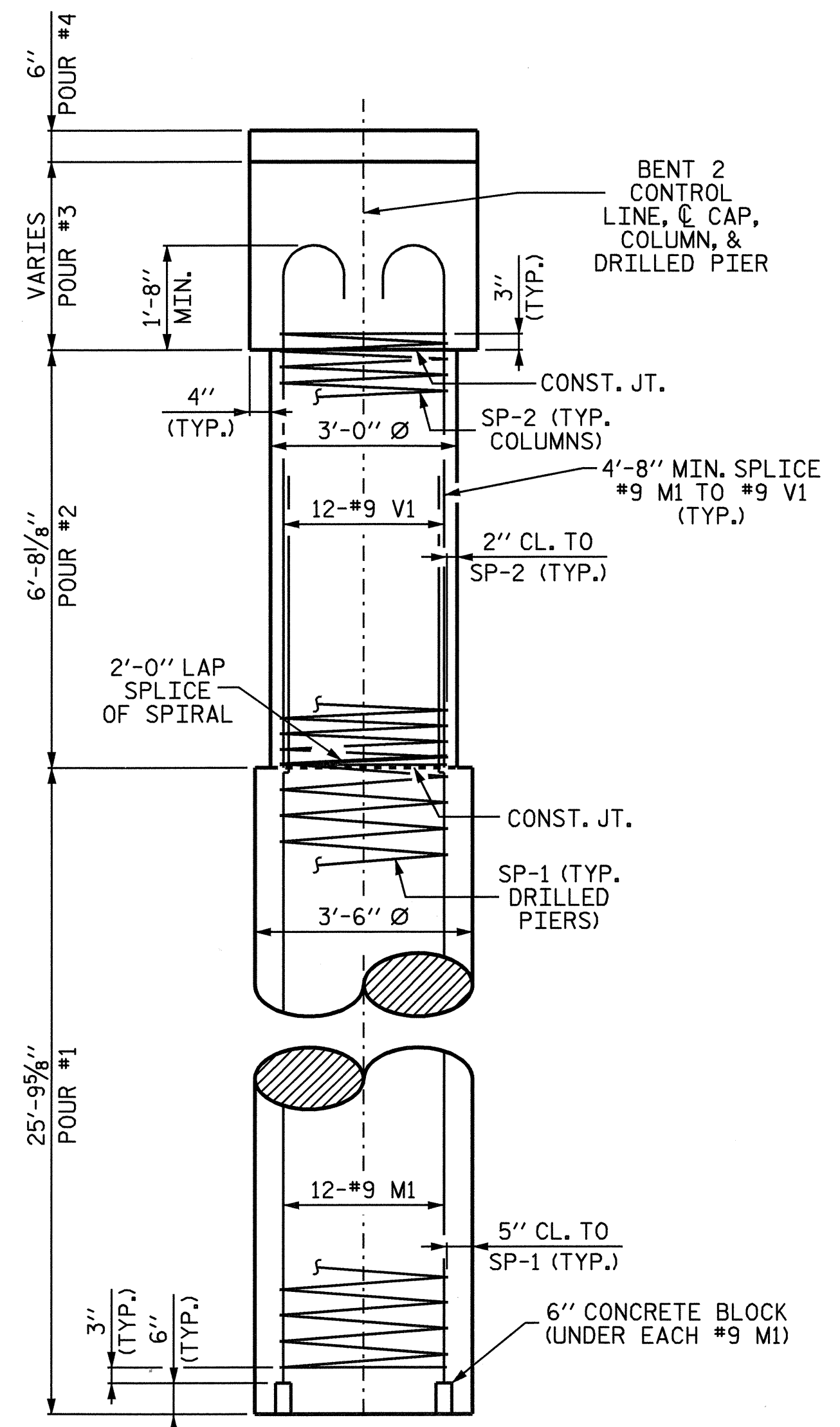


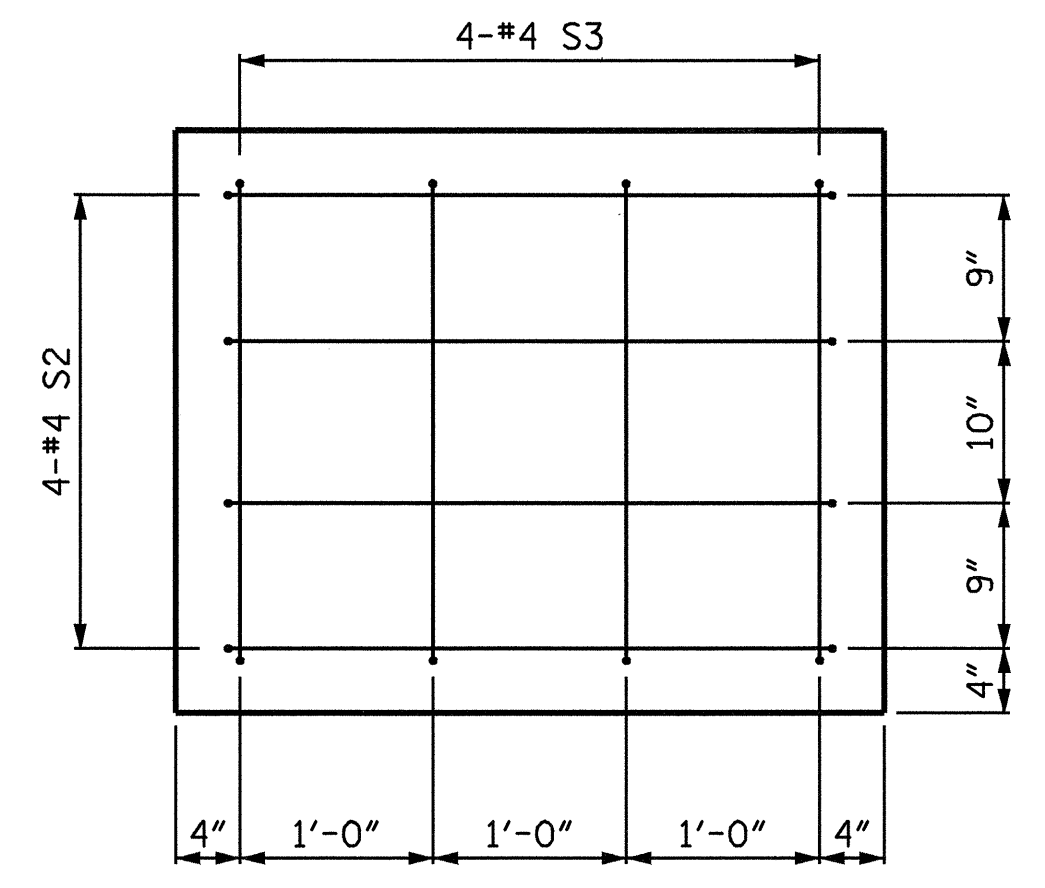
PARTIAL PLAN OF COLUMN
(REINFORCING STEEL AND DIMENSIONS ARE TYPICAL FOR ALL COLUMNS)

PARTIAL PLAN OF DRILLED PIER
(REINFORCING STEEL AND DIMENSIONS ARE TYPICAL FOR ALL DRILLED PIERS)

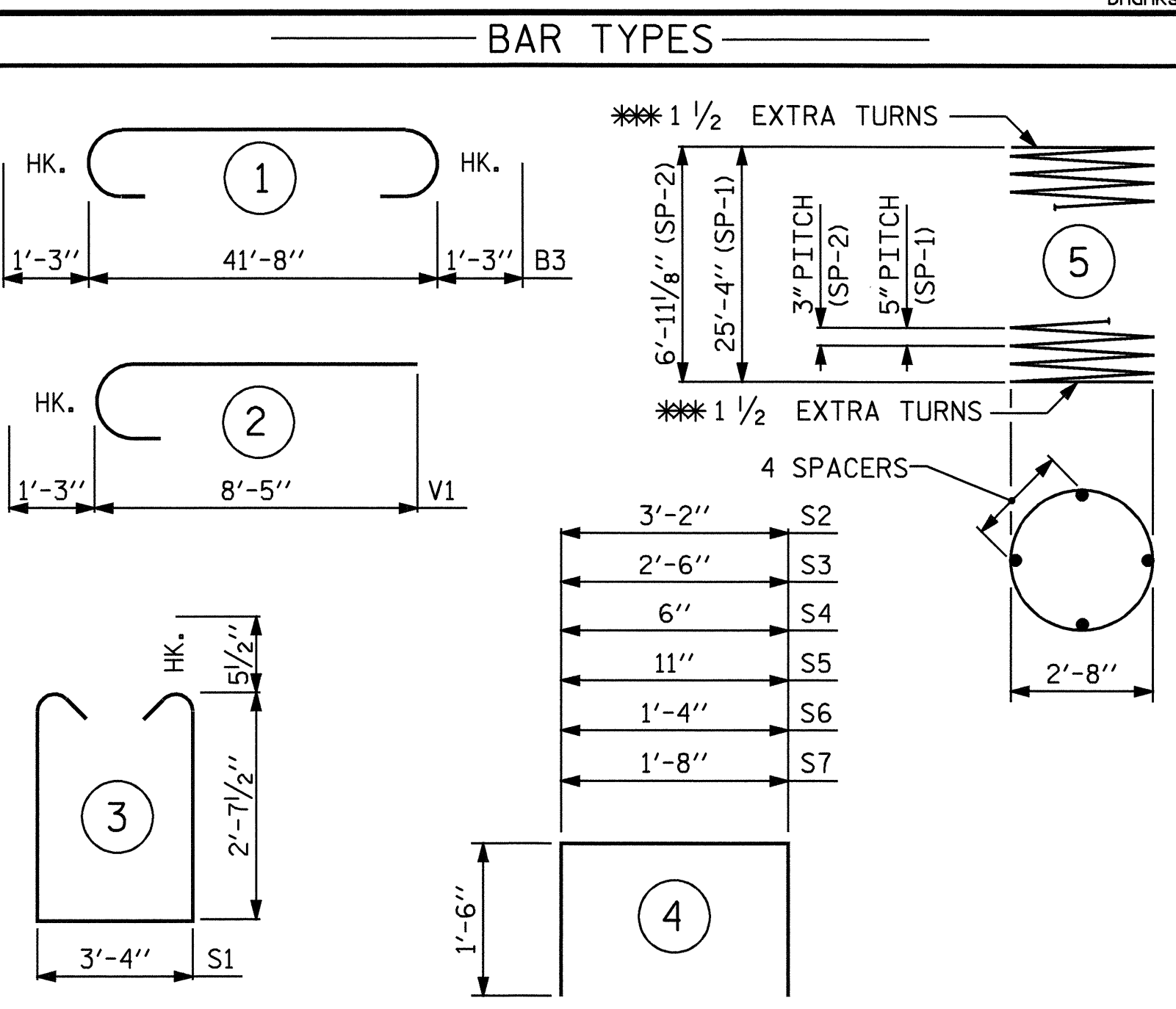
PLAN OF DRILLED PIERS AND COLUMNS



END ELEVATION



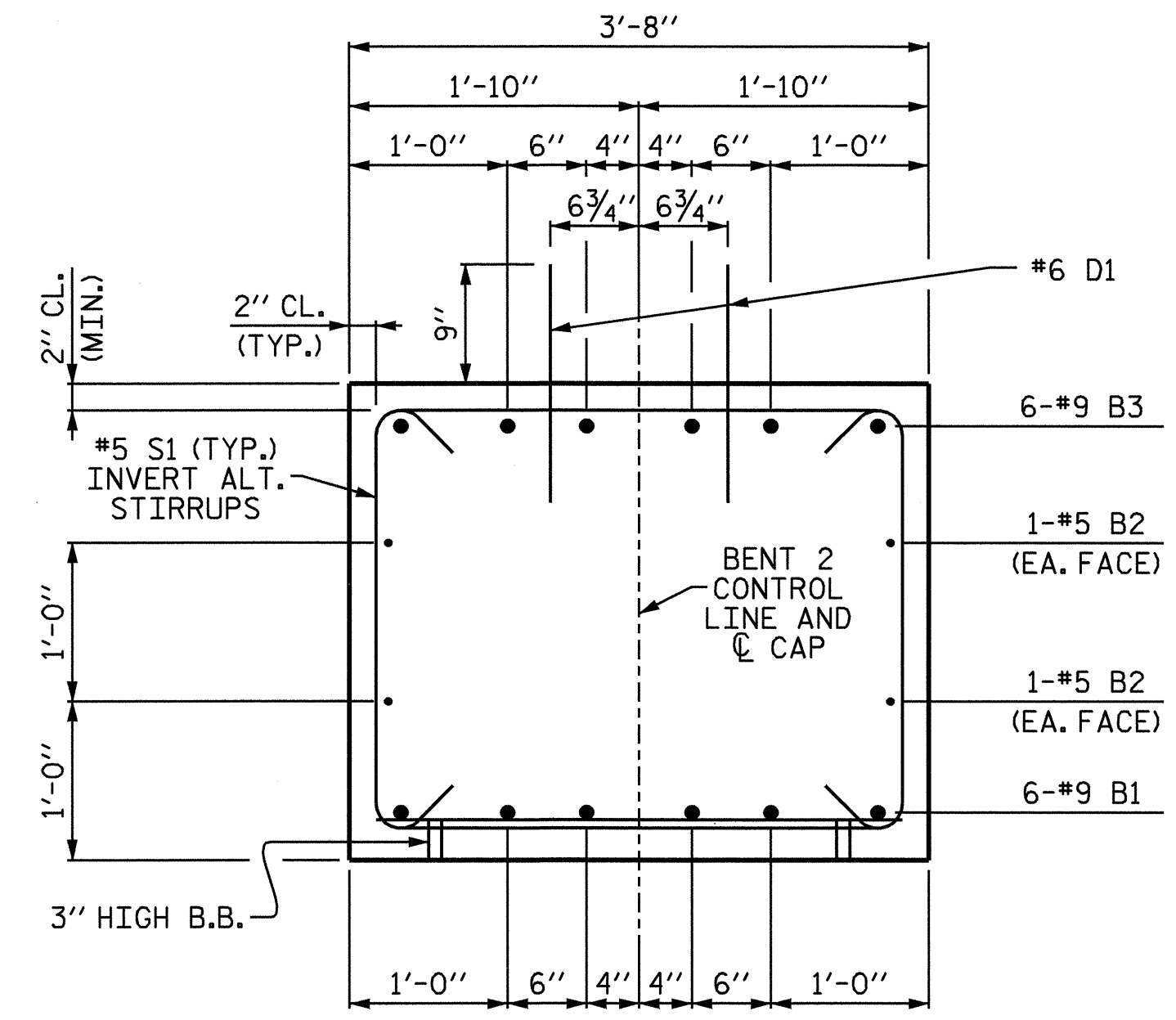
END VIEW



ALL BAR DIMENSIONS ARE OUT TO OUT.

*** THE SP-1 SPIRAL REINFORCING STEEL SHALL BE W31 OR D-31 COLD DRAWN WIRE OR #5 PLAIN OR DEFORMED BAR. THE SP-2 SPIRAL REINFORCING STEEL SHALL BE W20 OR D-20 COLD DRAWN WIRE OR #4 PLAIN OR DEFORMED BAR.

*** NOT REQUIRED AT CONSTRUCTION JOINT BETWEEN DRILLED PIER AND COLUMN.



SECTION THRU CAP

BILL OF MATERIAL					
BENT 2					
BAR NO.	SIZE	TYPE	LENGTH	WEIGHT	
B1	6	9	STR.	41'-10"	853
B2	4	5	STR.	41'-10"	175
B3	6	9	1	44'-2"	901
B4	2	4	STR.	3'-6"	5
B5	2	4	STR.	3'-4"	4
D1	48	6	STR.	1'-6"	108
M1	36	9	STR.	33'-0"	4039
S1	38	5	3	9'-6"	377
S2	8	4	4	6'-2"	33
S3	8	4	4	5'-6"	29
S4	2	4	4	3'-6"	5
S5	2	4	4	3'-11"	5
S6	2	4	4	4'-4"	6
S7	2	4	4	4'-8"	6
V1	36	9	2	9'-8"	1183
REINFORCING STEEL - LBS.					7729
SP-1	3	**	5	525'-4"	1644
SP-2	3	**	5	255'-4"	512
SPIRAL COLUMN REINFORCING STEEL - LBS.					2156
DRILLED PIER CONCRETE POUR #1 - DRILLED PIERS - C.Y.					27.6
CLASS A CONCRETE POUR #2 - COLUMNS - C.Y.					5.2
POUR #3 - CAP - C.Y.					17.3
POUR #4 - LATERAL GUIDE - C.Y.					0.2
TOTAL CLASS A CONCRETE - C.Y.					22.7
3'-6" Ø DRILLED PIER IN SOIL - LIN. FT.					63.4
3'-6" Ø DRILLED PIER NOT IN SOIL - LIN. FT.					14.0
PERMANENT STEEL CASING FOR 3'-6" Ø DRILLED PIER - LIN. FT.					47.4
SPT TESTING - EA.					3
CROSSHOLE SONIC LOGGING TUBES - LIN. FT.					339.6

PROJECT NO. B-2963
 DURHAM COUNTY
 STATION: 24+92.50-L-
 SHEET 2 OF 2

STATE OF NORTH CAROLINA DEPARTMENT OF TRANSPORTATION RALEIGH					
SUBSTRUCTURE BENT 2					
REVISIONS					SHEET NO.
NO.	BY:	DATE:	NO.	BY:	DATE:
1			3		
2			4		
					TOTAL SHEETS
					32

