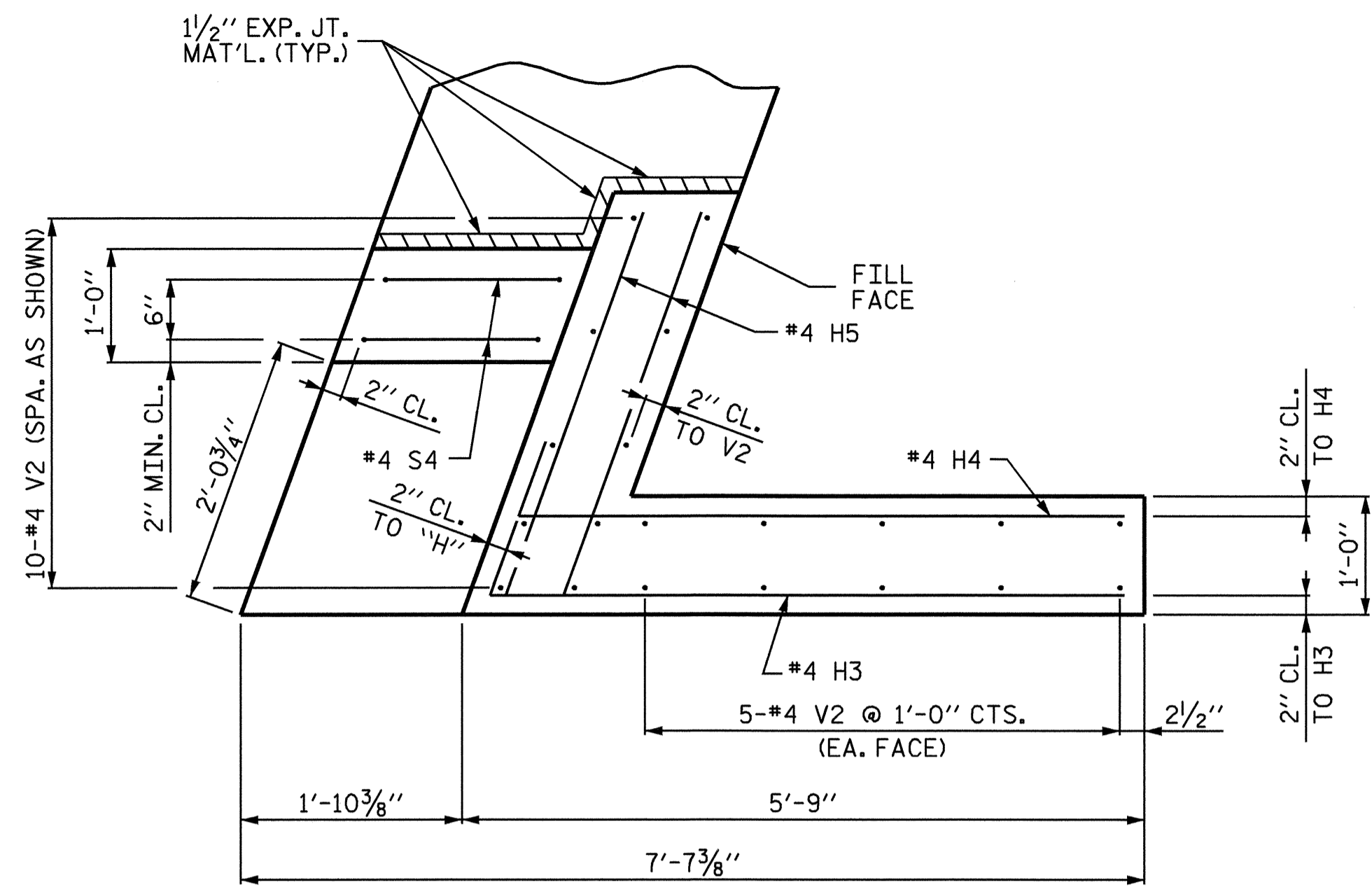
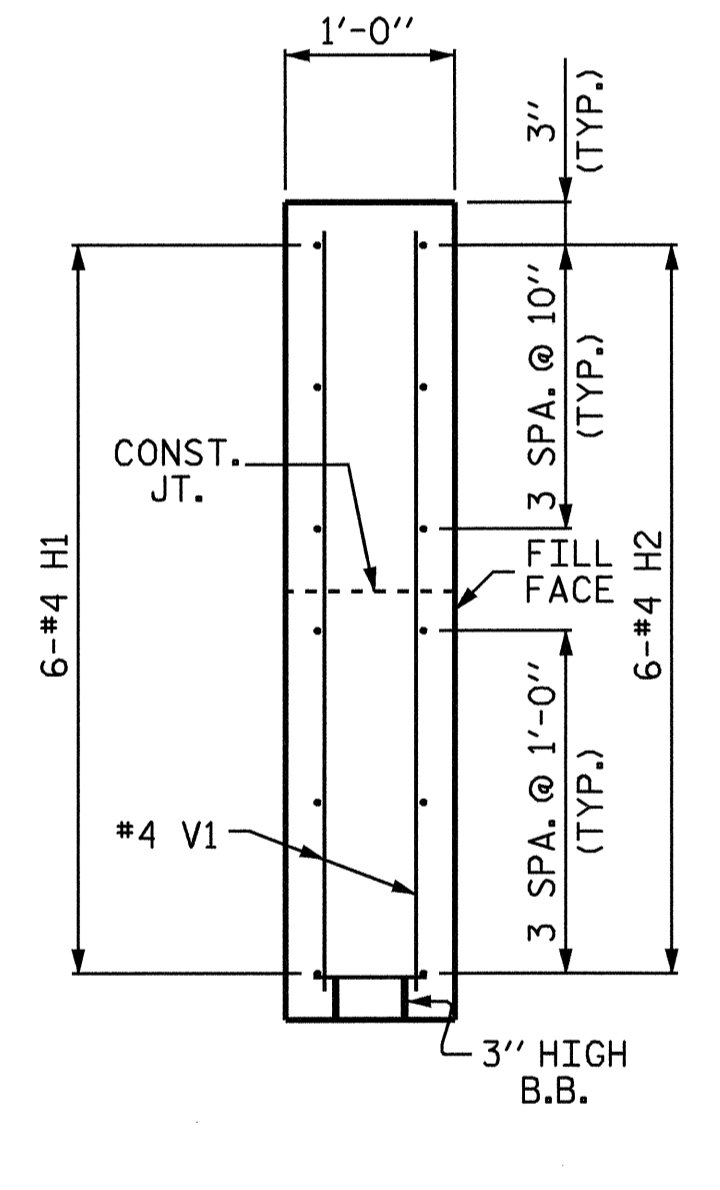


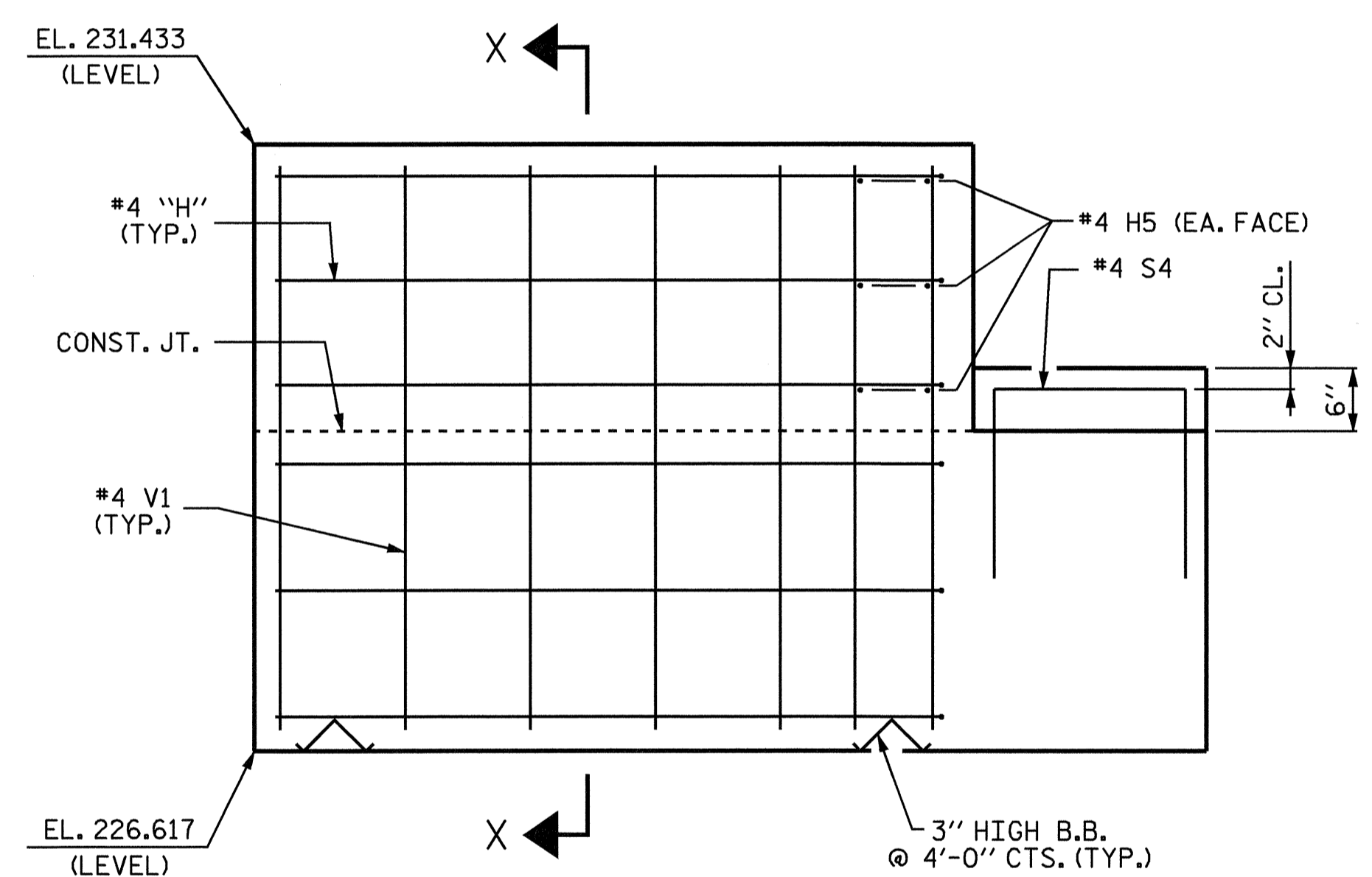
PLAN WING - W1



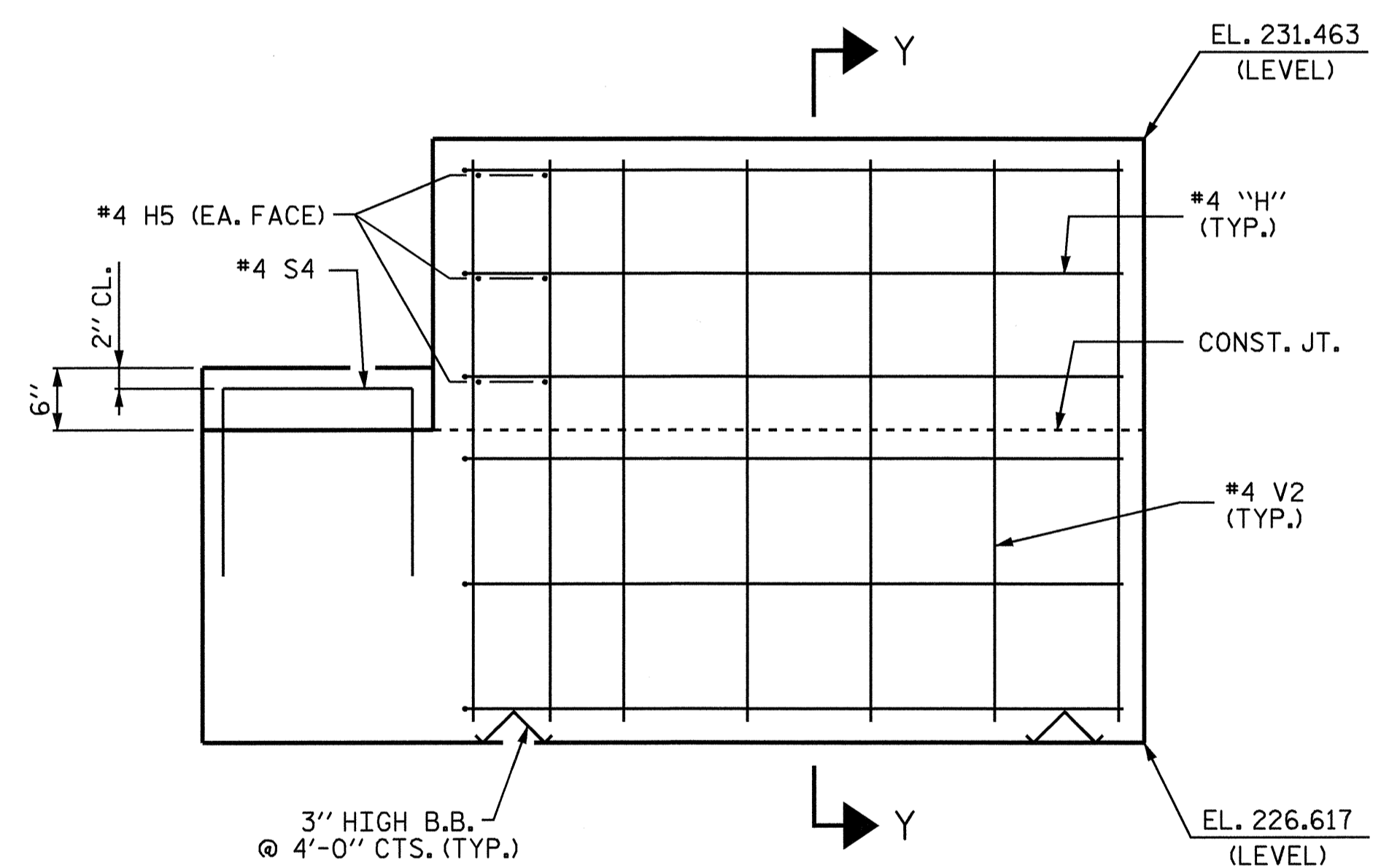
PLAN WING - W2



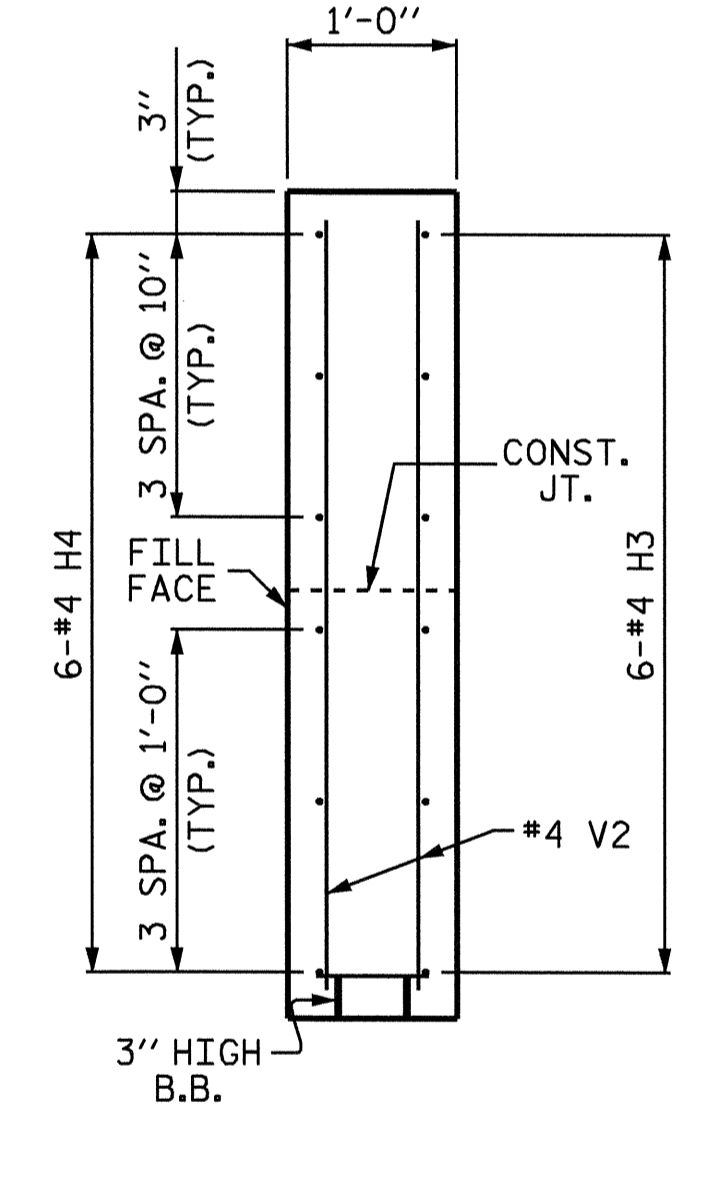
SECTION X-X



ELEVATION WING - W1



ELEVATION WING - W2



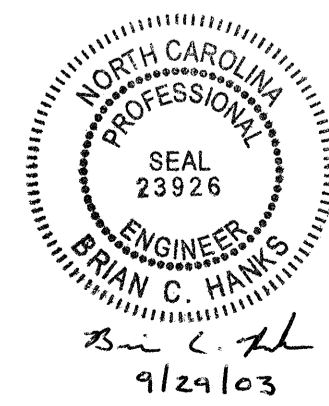
SECTION Y-Y

PROJECT NO. B-2963
DURHAM COUNTY
 STATION: 29+92.50-L-

SHEET 2 OF 3

STATE OF NORTH CAROLINA
 DEPARTMENT OF TRANSPORTATION
 RALEIGH

SUBSTRUCTURE
 END BENT 2



DRAWN BY: William J. Parker DATE: 06/05/02
 CHECKED BY: J. KHARVA DATE: 9/19/02

| REVISIONS | | | | | | SHEET NO. |
|-----------|-----|-------|-----|-----|-------|--------------|
| NO. | BY: | DATE: | NO. | BY: | DATE: | S-28 |
| 1 | | | 3 | | | TOTAL SHEETS |
| 2 | | | 4 | | | 32 |