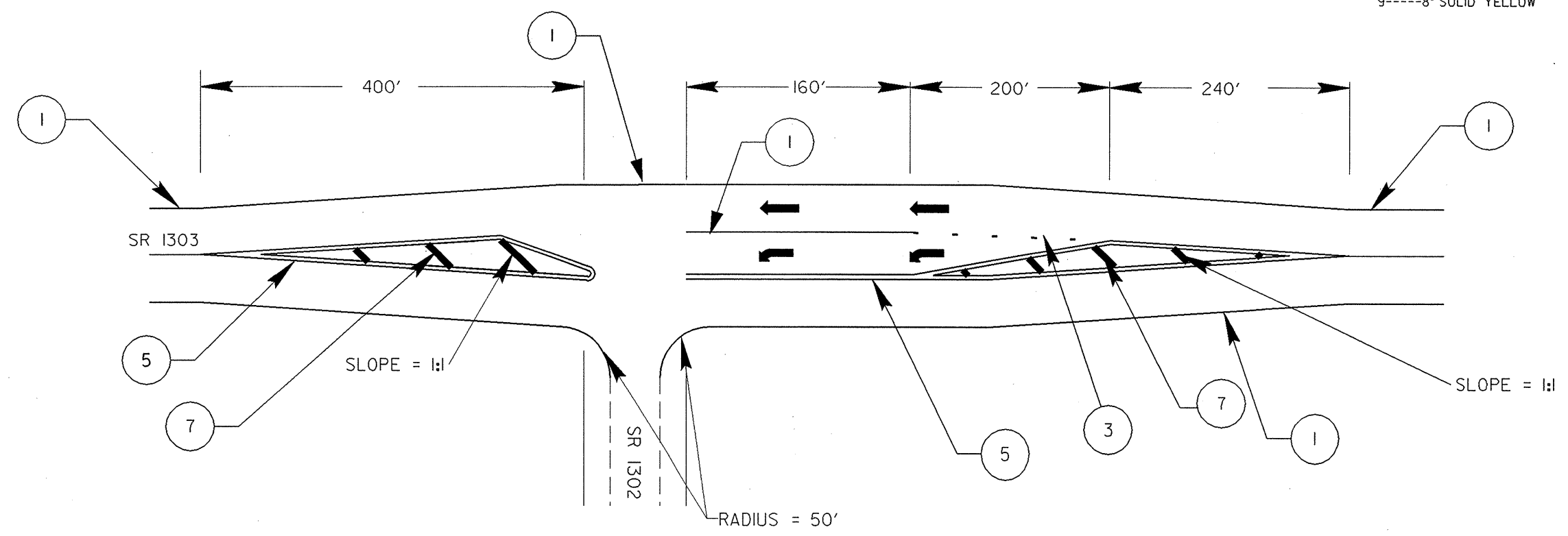


CONSTRUCTION PLAN

NOT TO SCALE
MAP NO. II

- PAINT MARKINGS
- 1-----4" SOLID WHITE
 - 2-----4" X 10' YELLOW SKIP
 - 3-----4" X 2' WHITE MINISKIP
 - 4-----4" SOLID YELLOW
 - 5-----2 @ 4" DOUBLE YELLOW
 - 6-----8" WHITE DIAG
 - 7-----8" YELLOW DIAG
 - 8-----8" SOLID WHITE
 - 9-----8" SOLID YELLOW



PAVEMENT MARKING PLAN

06-OCT-2004 12:24
 V:\Resurfacng\Projects\Division 3\3CR10101ETC.dgn
 6/2/99