

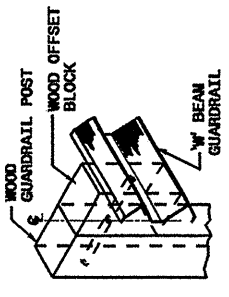
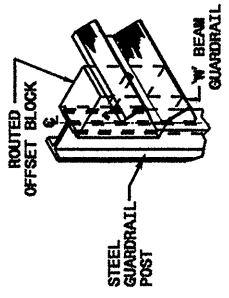
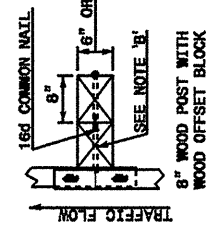
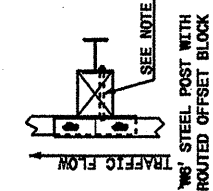
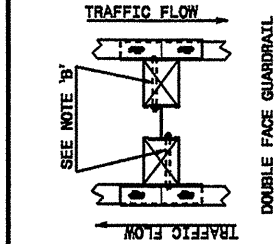
30-JUN-2003 10:35  
 W:\Special\_Details\ward\stds\02\Std to Special\_Details\english\86202\086202.dgn  
 AT 05212260

5/14/99

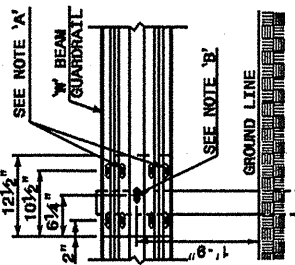
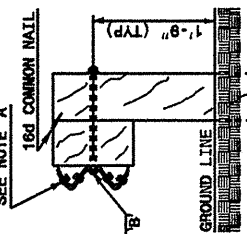
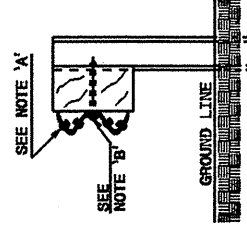
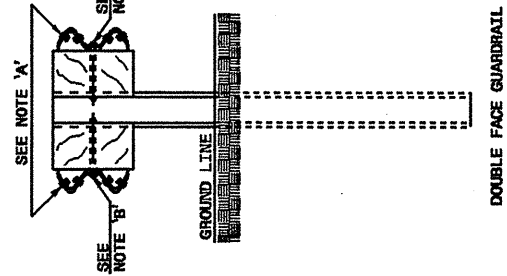
STATE OF  
 NORTH CAROLINA  
 DEPT. OF TRANSPORTATION  
 DIVISION OF HIGHWAYS  
 RALEIGH, N.C.

ENGLISH DETAIL DRAWING FOR  
 GUARDRAIL INSTALLATION

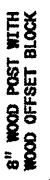
SHEET 3 OF 7  
 862D02



ISOMETRIC VIEWS



SIDE



FRONT

NOTES:  
 A - 3/8" DIA. BUTTON HEAD SPlice BOLT 1 1/4" LONG WITH STD. WASHER UNDER NUT (8 REQ. PER SPlice JOINT).  
 B - 3/8" DIA. BUTTON HEAD BOLT 7 1/2" LONG WITH NUT FOR BOLTING 6" / 8" ROUTED OFFSET BLOCK TO STEEL POSTS OR  
 5/8" DIA. BUTTON HEAD BOLT 18" LONG WITH STD. WASHER UNDER NUT FOR BOLTING TO WOOD POSTS (1 REQ. PER LOCATION)  
 C - FIELD PUNCHING OF HOLES INTO GUARDRAIL SHALL BE AS DIRECTED BY THE ENGINEER.

TYPICAL GUARDRAIL AND GUARDRAIL POST ALTERNATIVES

STATE OF  
 NORTH CAROLINA  
 DEPT. OF TRANSPORTATION  
 DIVISION OF HIGHWAYS  
 RALEIGH, N.C.

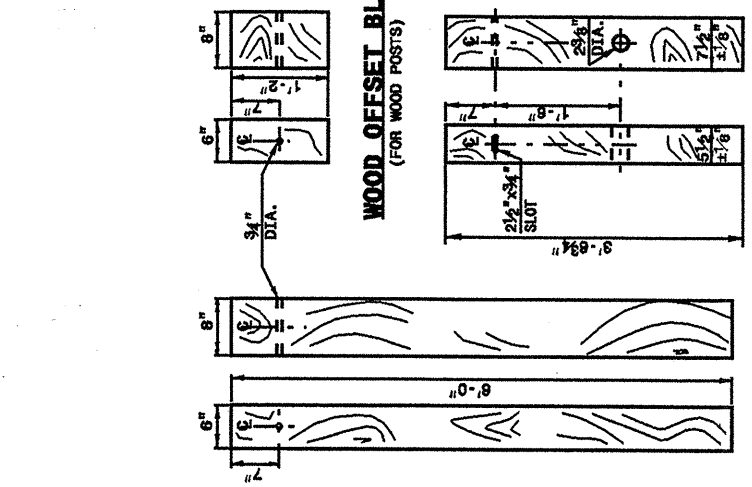
ENGLISH DETAIL DRAWING FOR  
 GUARDRAIL INSTALLATION

SHEET 3 OF 7  
 862D02

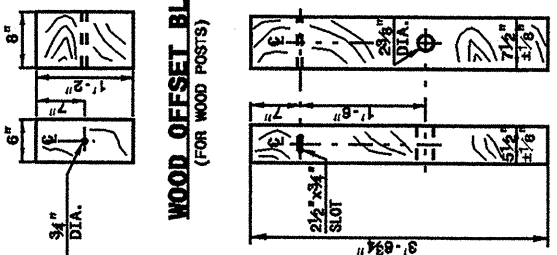
STATE OF  
 NORTH CAROLINA  
 DEPT. OF TRANSPORTATION  
 DIVISION OF HIGHWAYS  
 RALEIGH, N.C.

ENGLISH DETAIL DRAWING FOR  
 GUARDRAIL INSTALLATION

SHEET 4 OF 7  
 862D02

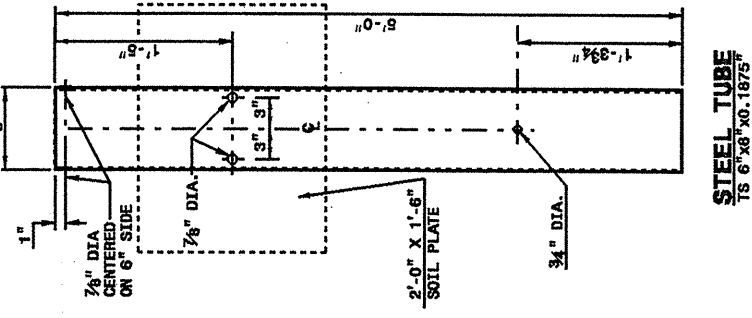


STANDARD  
 LINE POST

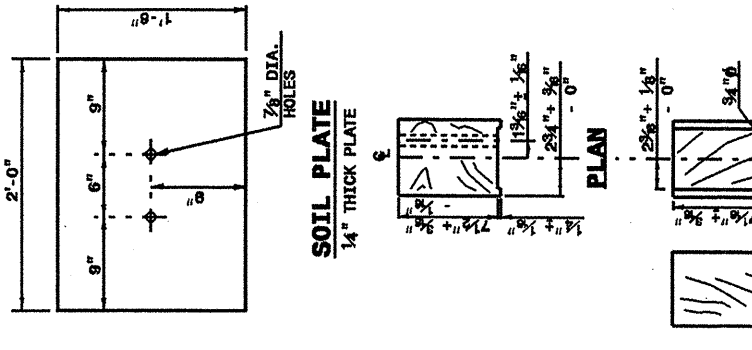


WOOD OFFSET POSTS  
 (FOR WOOD POSTS)

SHORT WOOD  
 BREAKAWAY POST

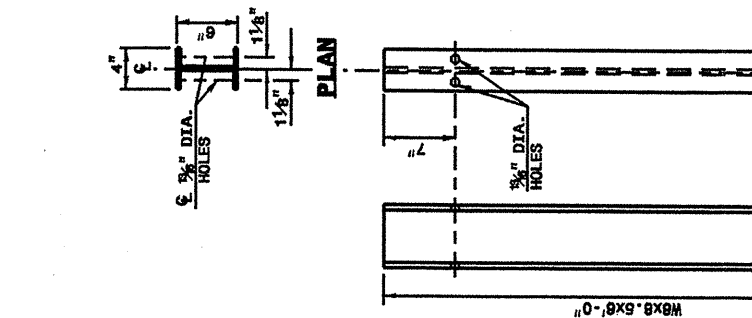


STEEL TUBE  
 TS 6" X 6" X 0.1975"



SOIL PLATE  
 1/4" THICK PLATE

BEARING PLATE  
 3/8" THICK PLATE

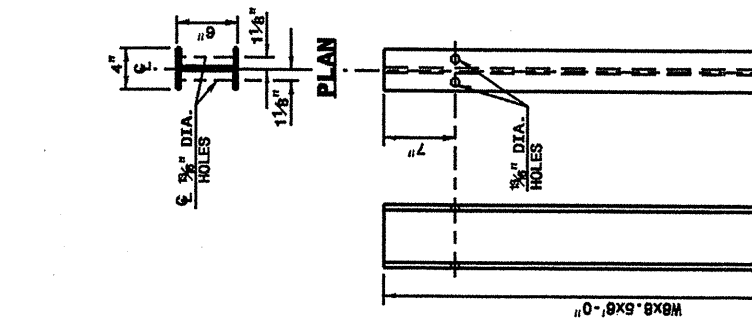


ROUTED WOOD  
 OFFSET BLOCK

STATE OF  
 NORTH CAROLINA  
 DEPT. OF TRANSPORTATION  
 DIVISION OF HIGHWAYS  
 RALEIGH, N.C.

ENGLISH DETAIL DRAWING FOR  
 GUARDRAIL INSTALLATION

SHEET 4 OF 7  
 862D02



"W6" STEEL POST

DESIGN SERVICES UNIT  
 STANDARDS AND SPECIAL DESIGN  
 Office 919-250-4128 FAX 919-250-4119

SEE PLATE FOR TITLE

ORIGINAL BY: 2002 STD. 862.02 DATE: 02-09-03  
 MODIFIED BY: E.E. WARD DATE: 02-09-03  
 CHECKED BY: J.T. GARDNER DATE: 7-03  
 FILE SPEC.: user\86202\stds\02\std to Special\_Details\english\86202\086202.dgn

PROJECT REFERENCE NO.	SHEET NO.
3CR.10101.12	22
3CR.301024.12	39181
	39190