

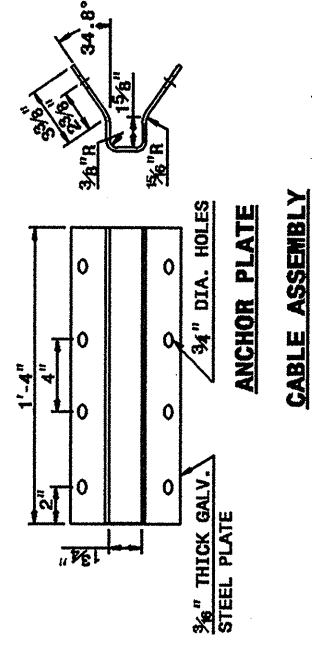
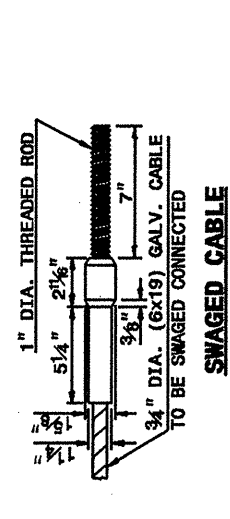
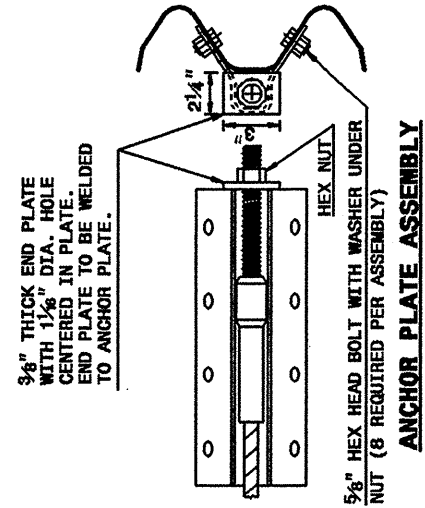
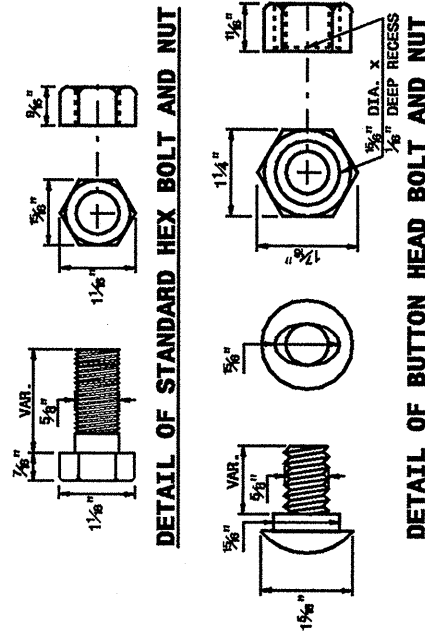
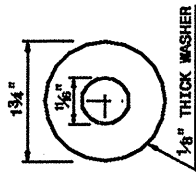
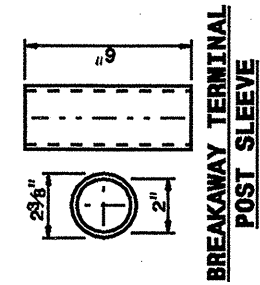
30-JUN-2003 10:35  
 M:\Special Details\stand\stds\02\Std to Special Details\enlish\862D02\0862D02.dgn  
 Richard

5/14/99

STATE OF  
 NORTH CAROLINA  
 DEPT. OF TRANSPORTATION  
 DIVISION OF HIGHWAYS  
 RALEIGH, N.C.

ENGLISH DETAIL DRAWING FOR  
 GUARDRAIL INSTALLATION

SHEET 5 OF 7  
 862D02

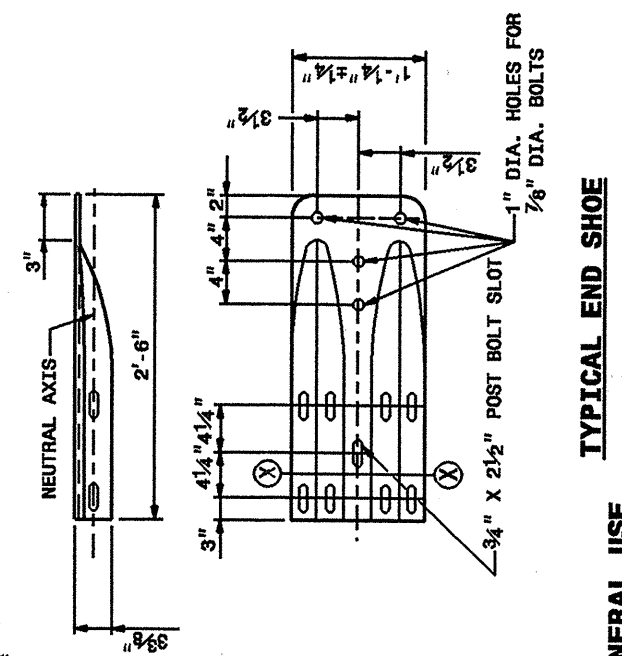
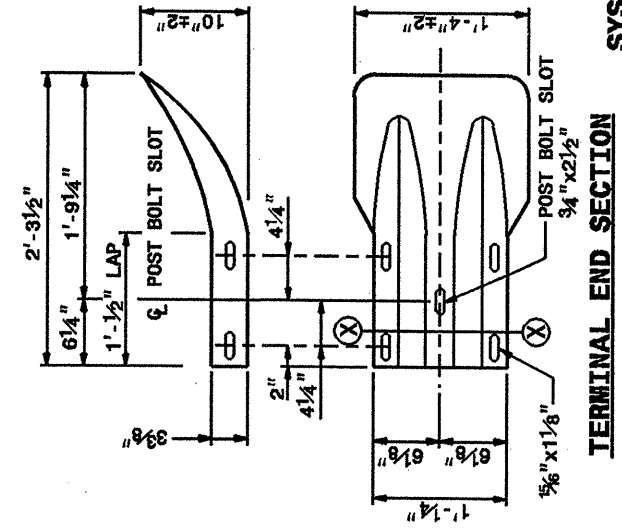
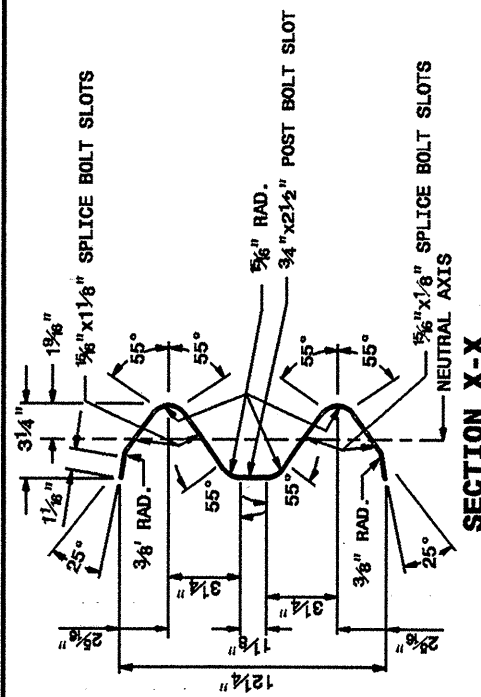


SYSTEM PARTS

STATE OF  
 NORTH CAROLINA  
 DEPT. OF TRANSPORTATION  
 DIVISION OF HIGHWAYS  
 RALEIGH, N.C.

ENGLISH DETAIL DRAWING FOR  
 GUARDRAIL INSTALLATION

SHEET 6 OF 7  
 862D02



SYSTEM PARTS - GENERAL USE

DESIGN SERVICES UNIT  
 STANDARDS AND SPECIAL DESIGN  
 Office 919-250-4128 FAX 919-250-4119

SEE PLATE FOR TITLE

ORIGINAL BY: 2002 STD. 862.02 DATE:  
 MODIFIED BY: E.E. WARD DATE: 02-09-03  
 CHECKED BY: DATE: 7-02  
 FILE SPEC.: /usr/ptd/02stds/02/enl1sh/862D02/862D02.dgn

STATE OF  
 NORTH CAROLINA  
 DEPT. OF TRANSPORTATION  
 DIVISION OF HIGHWAYS  
 RALEIGH, N.C.

ENGLISH DETAIL DRAWING FOR  
 GUARDRAIL INSTALLATION

SHEET 5 OF 7  
 862D02

STATE OF  
 NORTH CAROLINA  
 DEPT. OF TRANSPORTATION  
 DIVISION OF HIGHWAYS  
 RALEIGH, N.C.

ENGLISH DETAIL DRAWING FOR  
 GUARDRAIL INSTALLATION

SHEET 6 OF 7  
 862D02

PROJECT REFERENCE NO. SHEET NO.  
 3CR.10101.12 28  
 3CR.301024.12 39181  
 39190