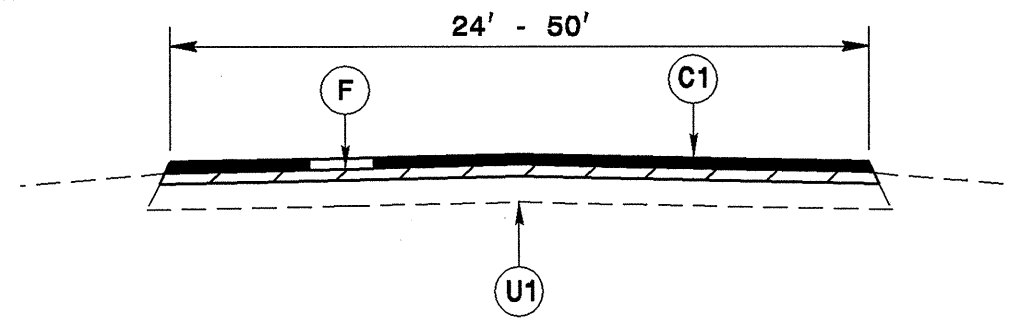


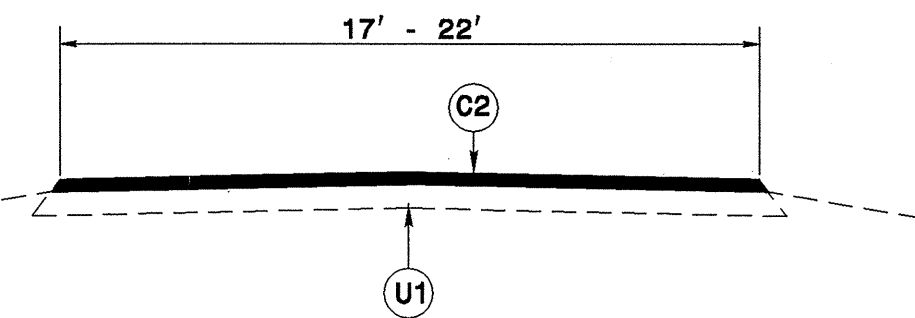
5/28/99

STATE	PROJECT NO.	SHEET NO.	TOTAL SHEETS
N.C.	7CR.10011.5, ETC.	5	8

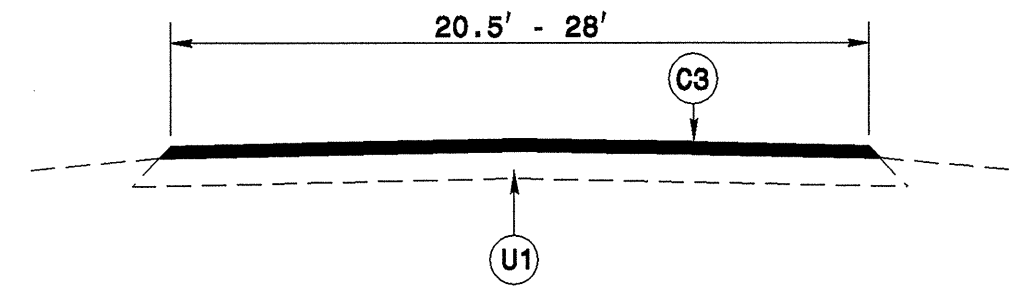
7CR.10011.5, 7CR.20011.5,
7CR.300101.5, 7CR.300105.5,
7CR.300106.5, 7CR.300132.5,
7CR.304106.5



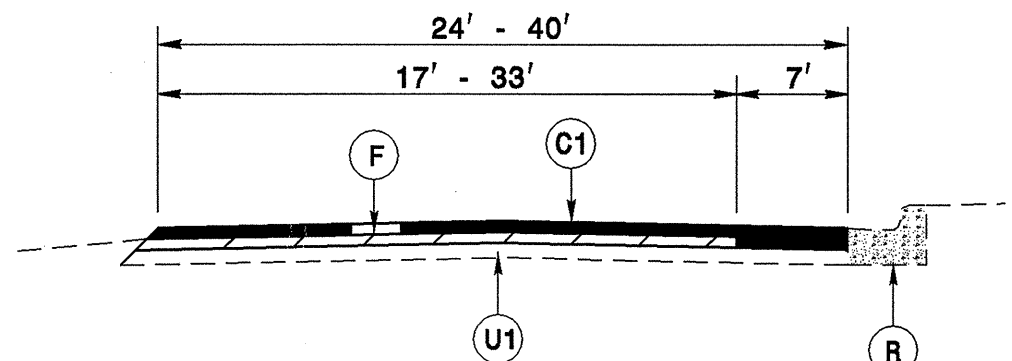
TYPICAL SECTION NO. 1



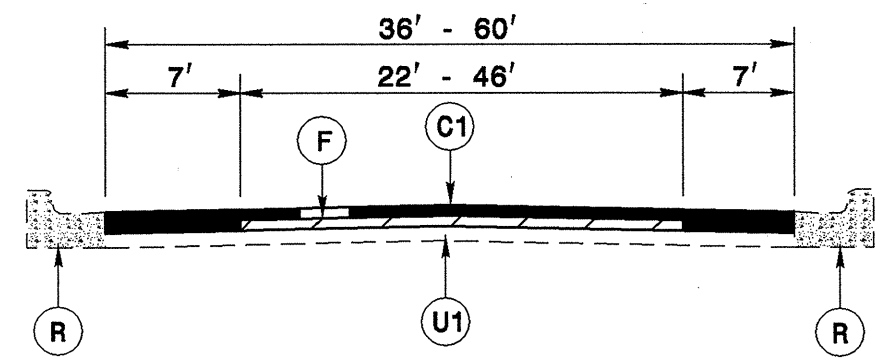
TYPICAL SECTION NO. 5



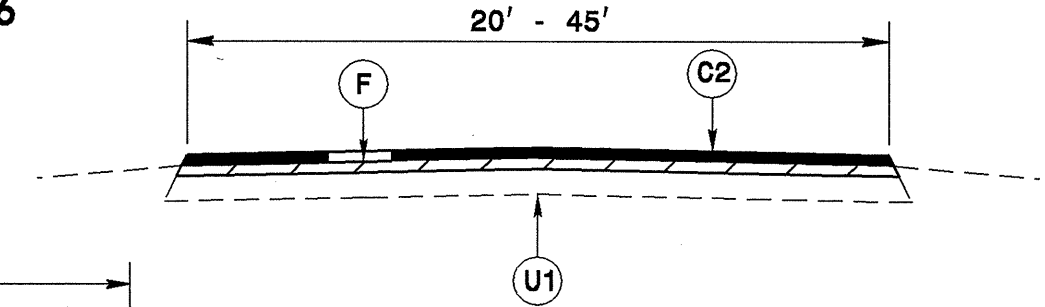
TYPICAL SECTION NO. 2



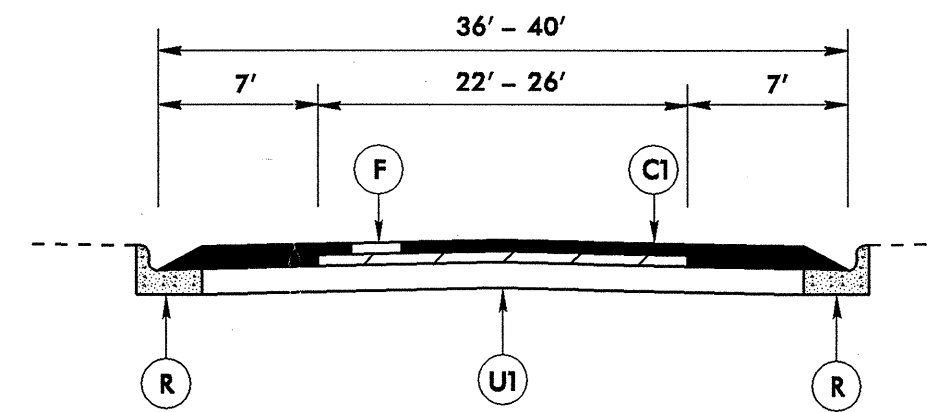
TYPICAL SECTION NO. 6



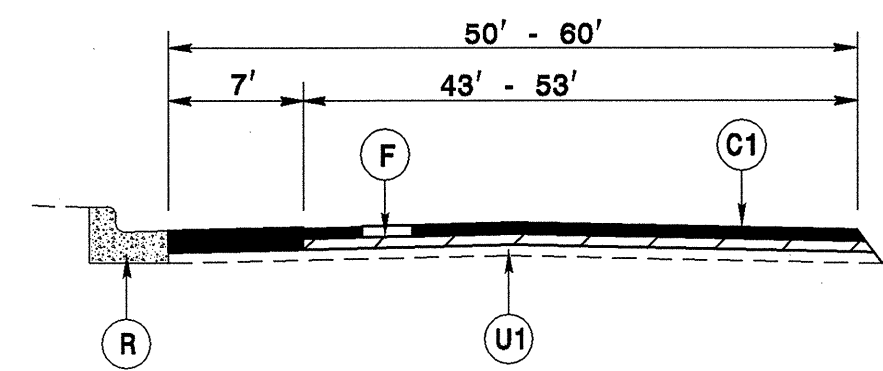
TYPICAL SECTION NO. 3



TYPICAL SECTION NO. 8



TYPICAL SECTION NO. 7



TYPICAL SECTION NO. 4

PAVEMENT SCHEDULE

C1	PROP. APPROX. 1 1/4" ASPHALT CONCRETE SURFACE COURSE, TYPE S9.5B, AT AN AVERAGE RATE OF 140 LBS. PER SQ. YD.	F	ASPHALT SURFACE TREATMENT, NO. 78M STONE, MAT COAT.
C2	PROP. APPROX. 1" ASPHALT CONCRETE SURFACE COURSE, TYPE SF9.5A, AT AN AVERAGE RATE OF 110 LBS. PER SQ. YD.	R	2-6 CURB AND GUTTER
C3	PROP. APPROX. 1 1/2" ASPHALT CONCRETE SURFACE COURSE, TYPE S9.5B, AT AN AVERAGE RATE OF 168 LBS. PER SQ. YD.	U1	EXISTING PAVEMENT.

01-OCT-2004 10:45
\\shulter\c\cc\ss\Temp\Typicals-Alamance_2005.dgn