

STATE OF NORTH CAROLINA
DEPT. OF TRANSPORTATION
DIVISION OF HIGHWAYS
RALEIGH, N.C.

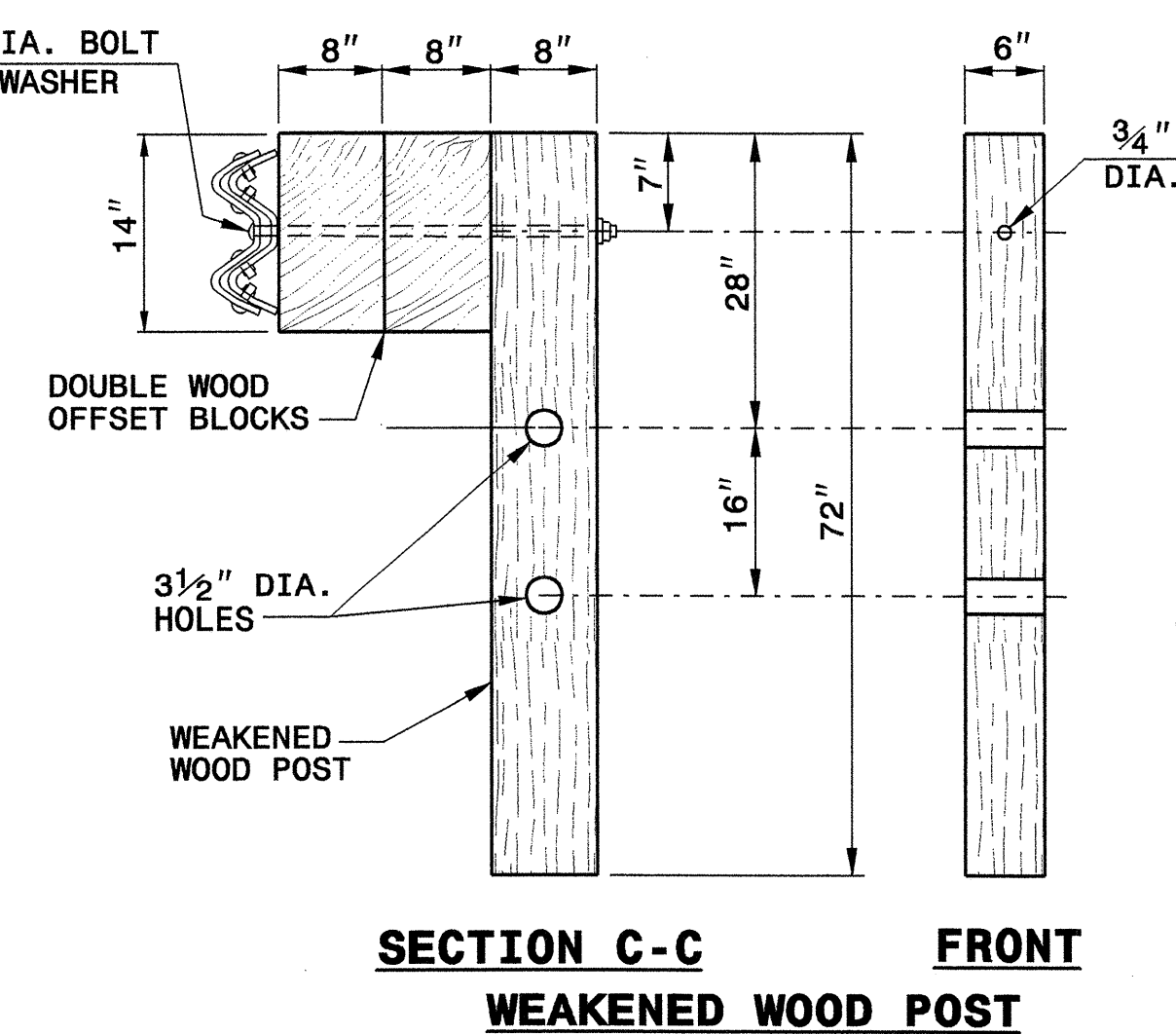
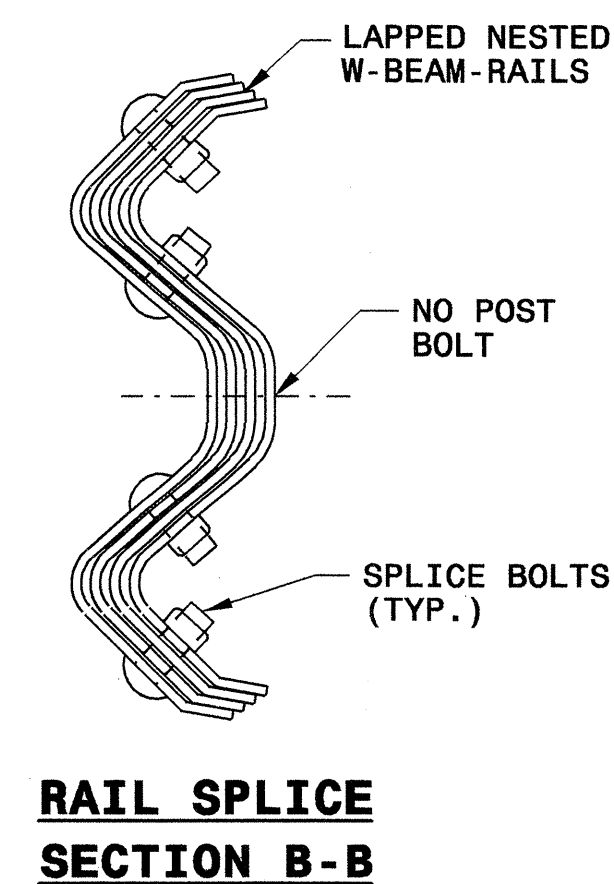
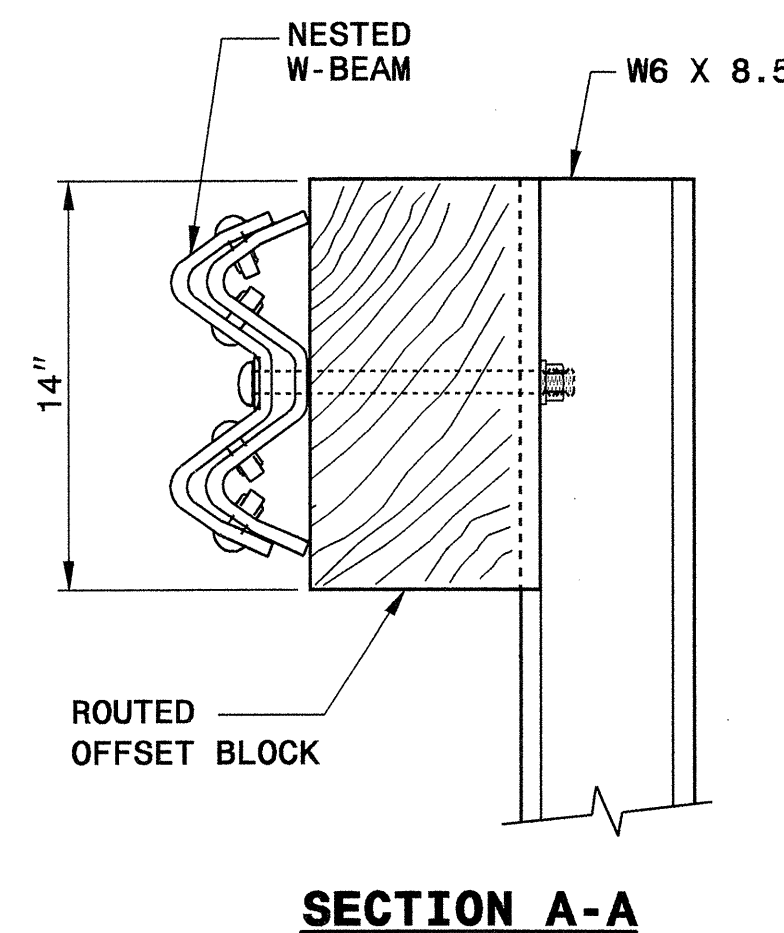
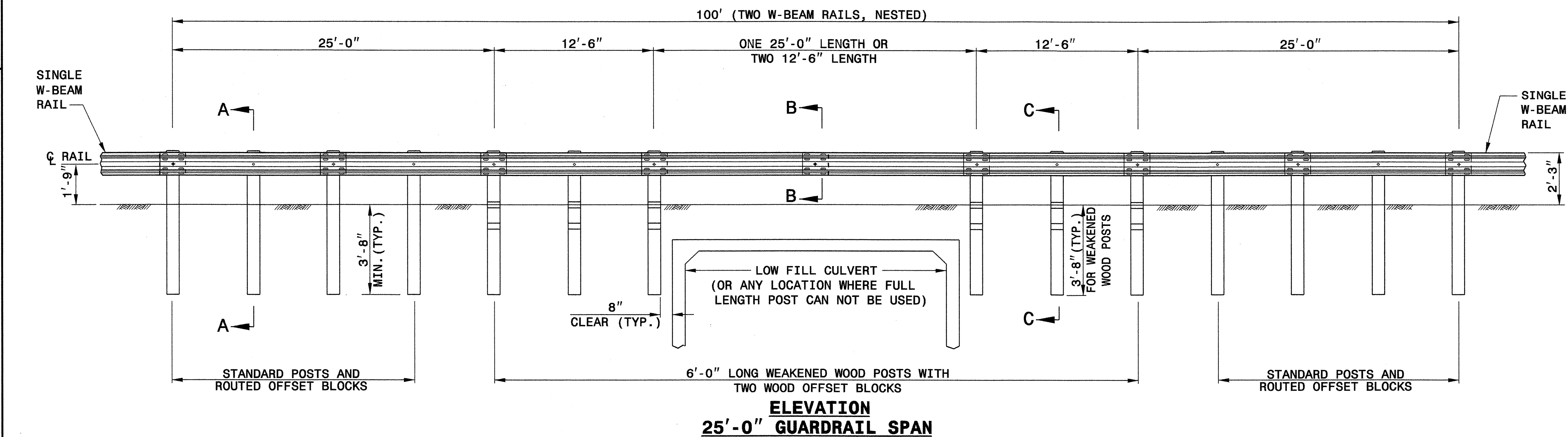
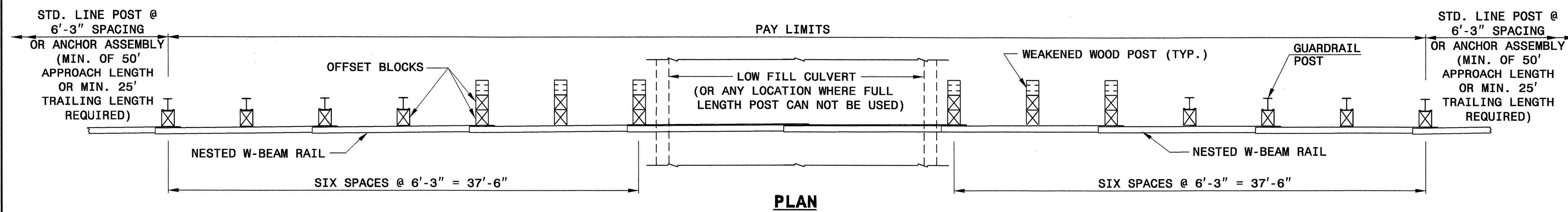
ENGLISH DETAIL DRAWING FOR
GUARDRAIL PLACEMENT
25'-0" CLEAR SPAN
(MEETING NCHRP 350 TL-3 CRITERIA)

SHEET 1 OF 1
862D01

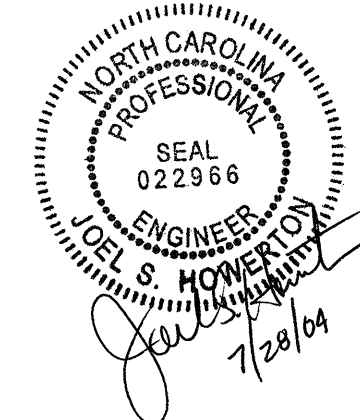
STATE OF NORTH CAROLINA
DEPT. OF TRANSPORTATION
DIVISION OF HIGHWAYS
RALEIGH, N.C.

ENGLISH DETAIL DRAWING FOR
GUARDRAIL PLACEMENT
25'-0" CLEAR SPAN
(MEETING NCHRP 350 TL-3 CRITERIA)

SHEET 1 OF 1
862D01



- GENERAL NOTES:
- LAP RAIL IN THE DIRECTION OF TRAFFIC FLOW.
 - SEE ROADWAY PLANS FOR LOCATIONS AND CONTINUATION OF RAIL OR END SECTIONS.
 - 25'-0" SPAN: POSTS MAY BE ELIMINATED SUCH THAT A MAXIMUM OF ONE RAIL SPLICE IS LOCATED WITHIN THE UNSUPPORTED LENGTH. A 25'-0" LENGTH OF NESTED W-BEAM RAIL MAY BE USED TO ELIMINATE A SPLICE WITHIN THE 25'-0" CLEAR SPAN.
 - MINIMUM DISTANCE OF 5 FEET BEHIND THE GUARDRAIL SHOULD BE CLEAR OF ANY FIXED-OBJECT HAZARDS THAT COULD SNAG AN IMPACTING VEHICLE.



DESIGN SERVICES UNIT
STANDARDS AND SPECIAL DESIGN
Office 919-250-4128 FAX 919-250-4119

SEE PLATE FOR TITLE

ORIGINAL BY: FHA HMHS-B58 DATE: 08-11-03
MODIFIED BY: E. E. WARD DATE: 08-11-03
CHECKED BY: C. P. Vining DATE: 4-7-04
FILE SPEC.: /usr/std/02stds/dtdetails/english/86201/862d0109.dgn