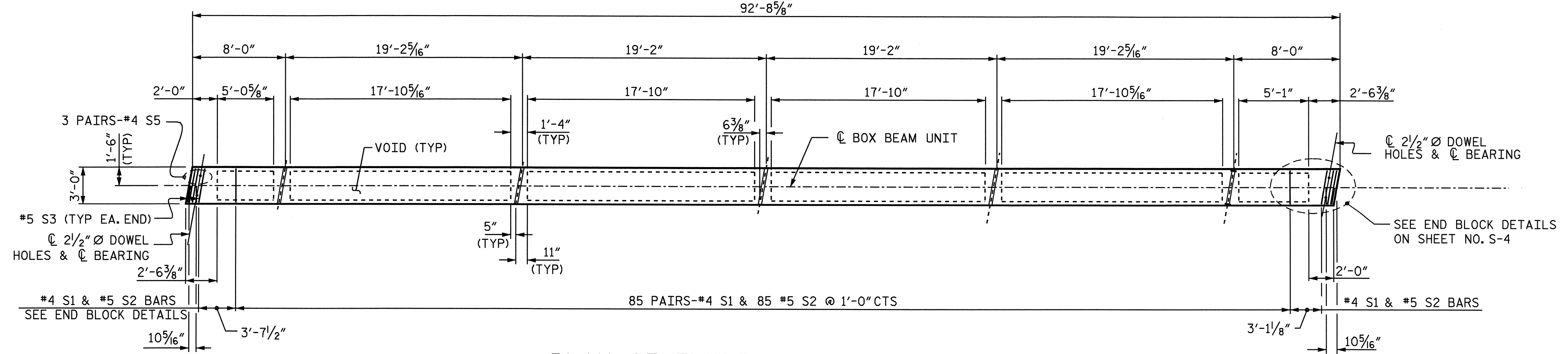


DETAIL "A"
OMIT DIAPHRAGM POCKET ON OUTSIDE FACE OF EXTERIOR BOX BEAM.

PLAN OF SPAN A
*4B1 SPLICE LENGTH = 1'-9"

PROFESSIONAL SEAL
NORTH CAROLINA
16301
ENGINEER
TUNG HSIUNG FANG
Tung H. Fang
8/8/04

PROJECT NO. B-3696
ROCKINGHAM COUNTY
STATION: 17+87.50 -L-



PLAN OF EXTERIOR SLAB - SPAN A
PLAN FOR INTERIOR SLAB IDENTICAL EXCEPT OMIT S3 BARS

STATE OF NORTH CAROLINA DEPARTMENT OF TRANSPORTATION RALEIGH						SHEET NO. S-6
SUPERSTRUCTURE						TOTAL SHEETS 18
PLAN OF SPAN						
REVISIONS						
NO.	BY:	DATE:	NO.	BY:	DATE:	
1			3			
2			4			

DRAWN BY : I. H. FANG DATE : 4/12/04
CHECKED BY : W. K. FISCHER DATE : 5/12/04

18-AUG-2004 14:46
w:\SquadM\b3696\tfang\Microstation\b3696ps.dgn
tfang