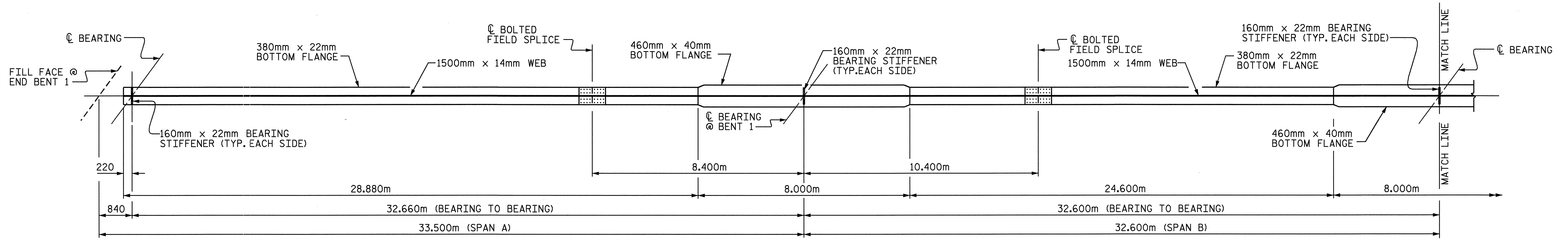
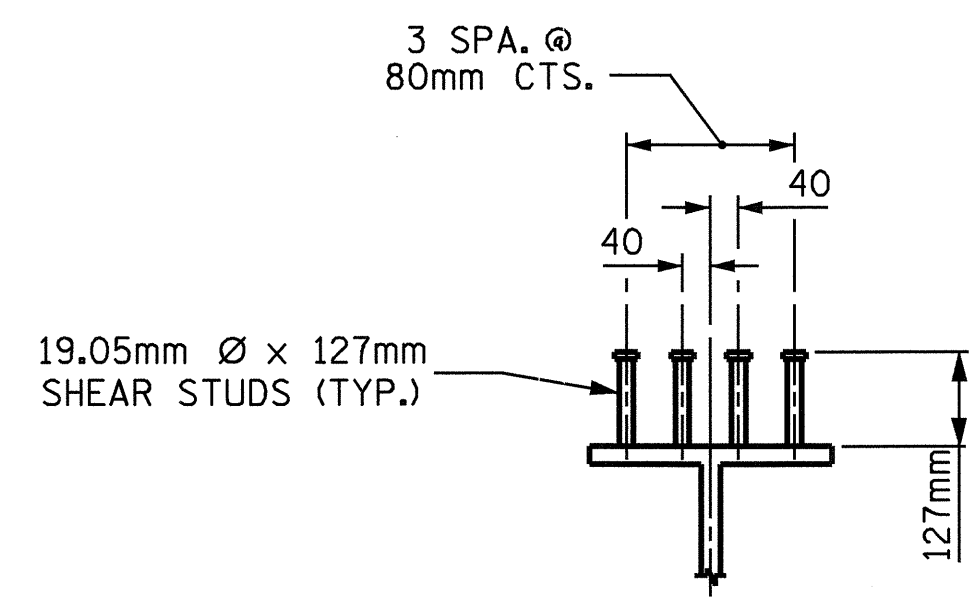


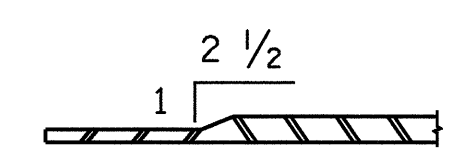
PLATE GIRDER ELEVATION
STUDS ON BOLTED FIELD SPLICE TOP PLATE NOT SHOWN



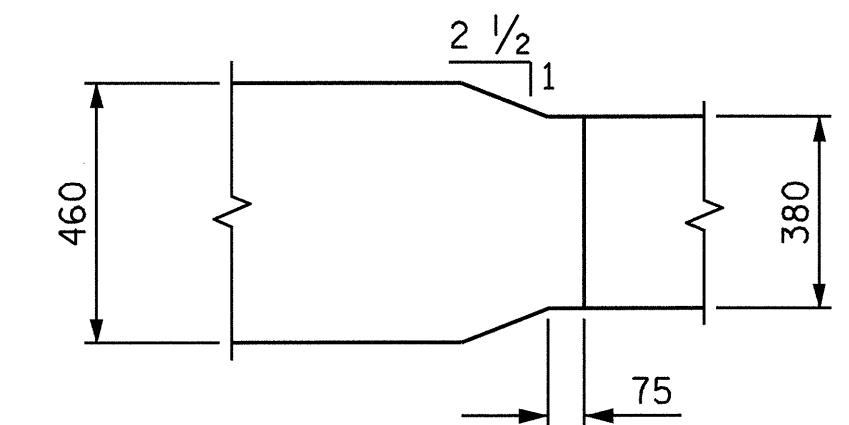
BOTTOM FLANGE DETAIL



SHEAR STUD DETAILS



SECTION THRU FLANGE



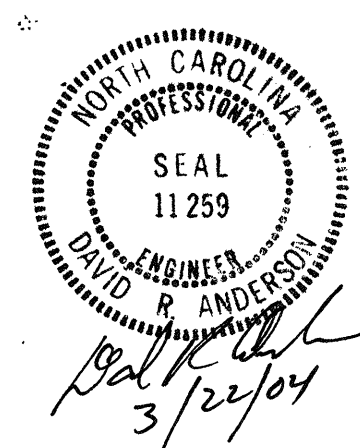
PLAN - FLANGE SPLICE

PROJECT NO. R-513C
ROBESON COUNTY
STATION: 277+68.339 -L-

SHEET 1 OF 4

STATE OF NORTH CAROLINA
DEPARTMENT OF TRANSPORTATION
RALEIGH

**SUPERSTRUCTURE
STRUCTURAL STEEL
(LEFT LANE)**



REVISIONS				SHEET NO.	
NO.	BY:	DATE:	NO.	BY:	DATE:
1			3		
2			4		

TOTAL SHEETS: 312

DRAWN BY: T.A. WALTER DATE: 5/25/01
CHECKED BY: N.Q. TRAN DATE: 10/14/02