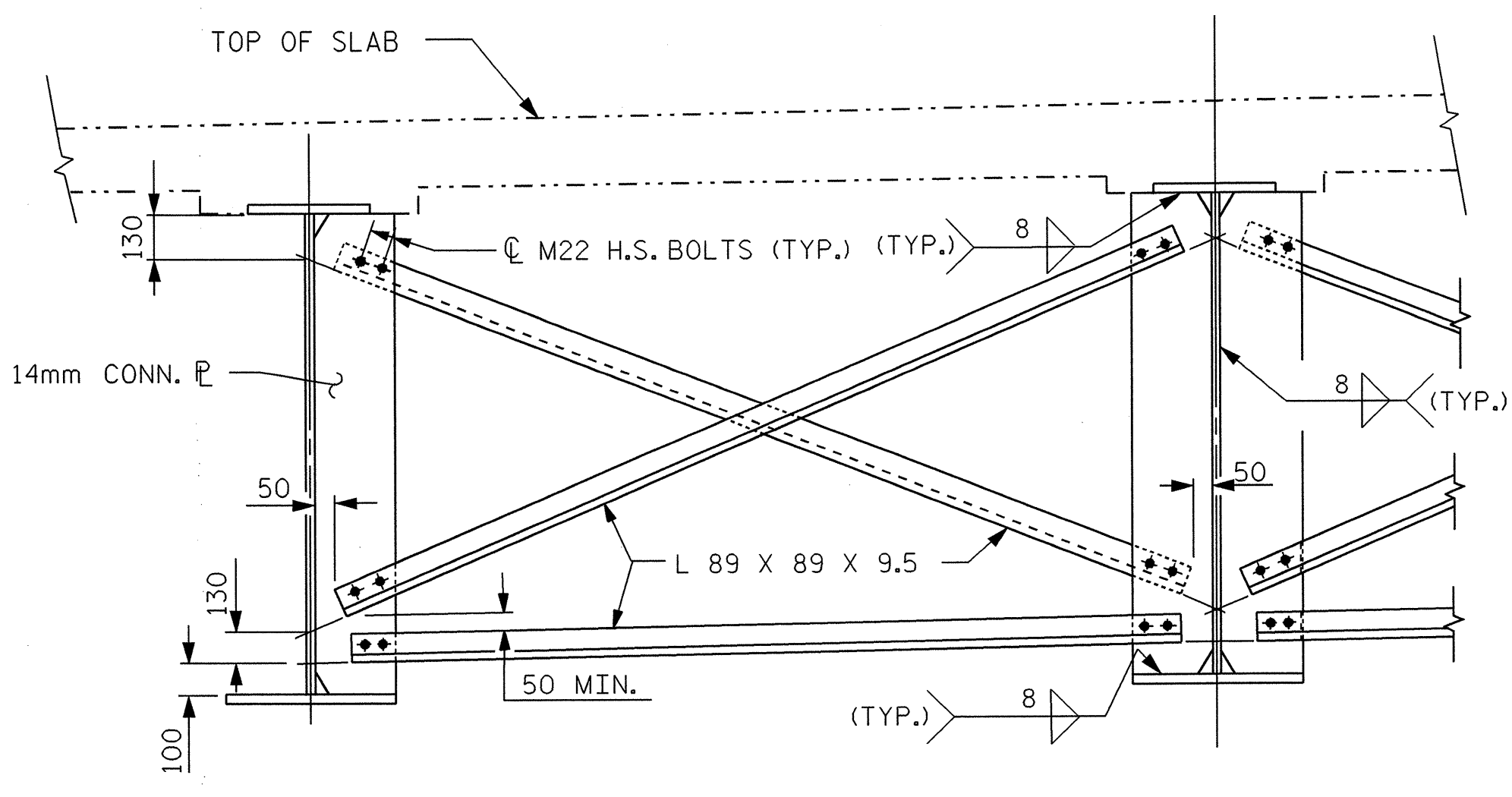
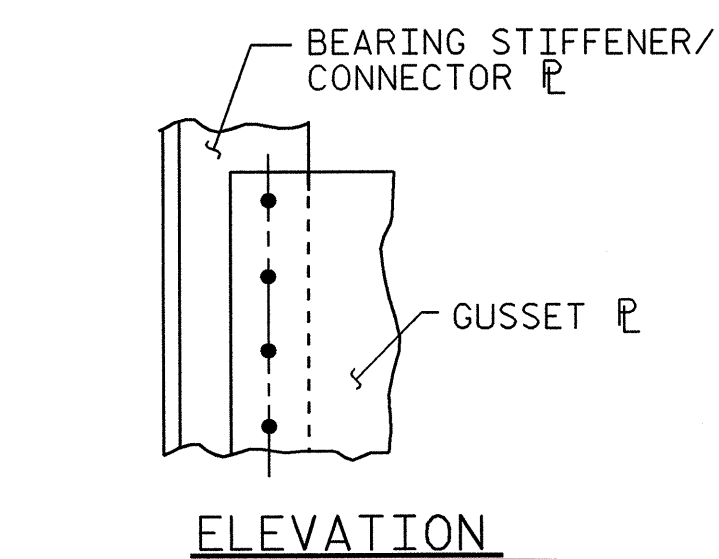
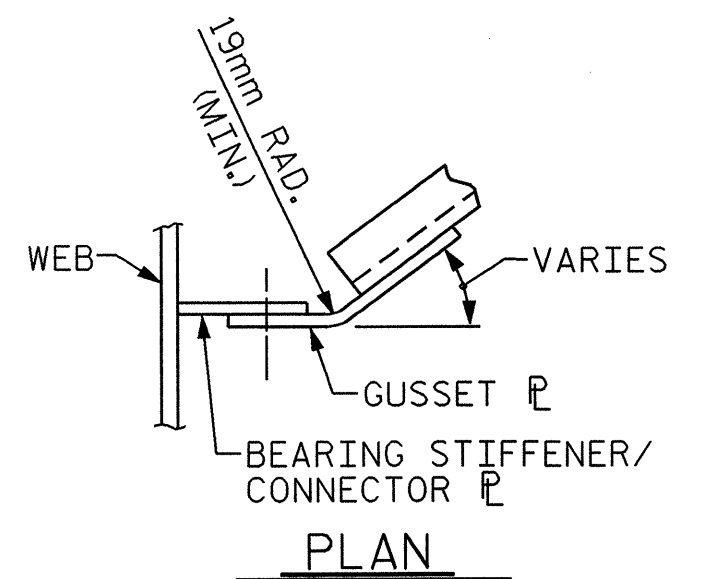


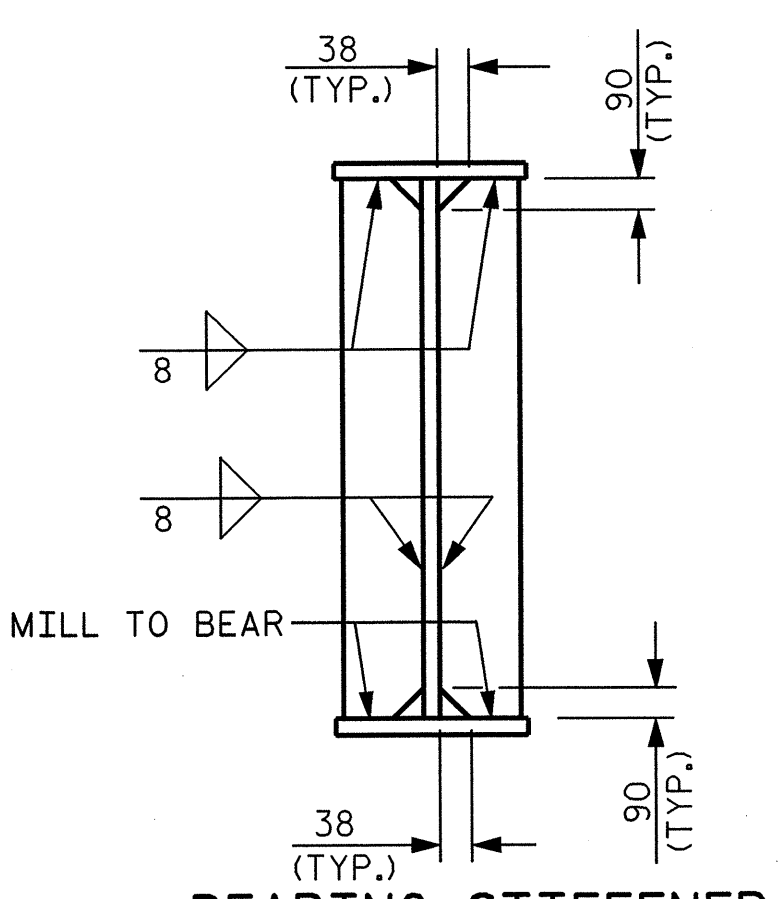
**END BENTS 1 & 2 DIAPHRAGM (D1)**



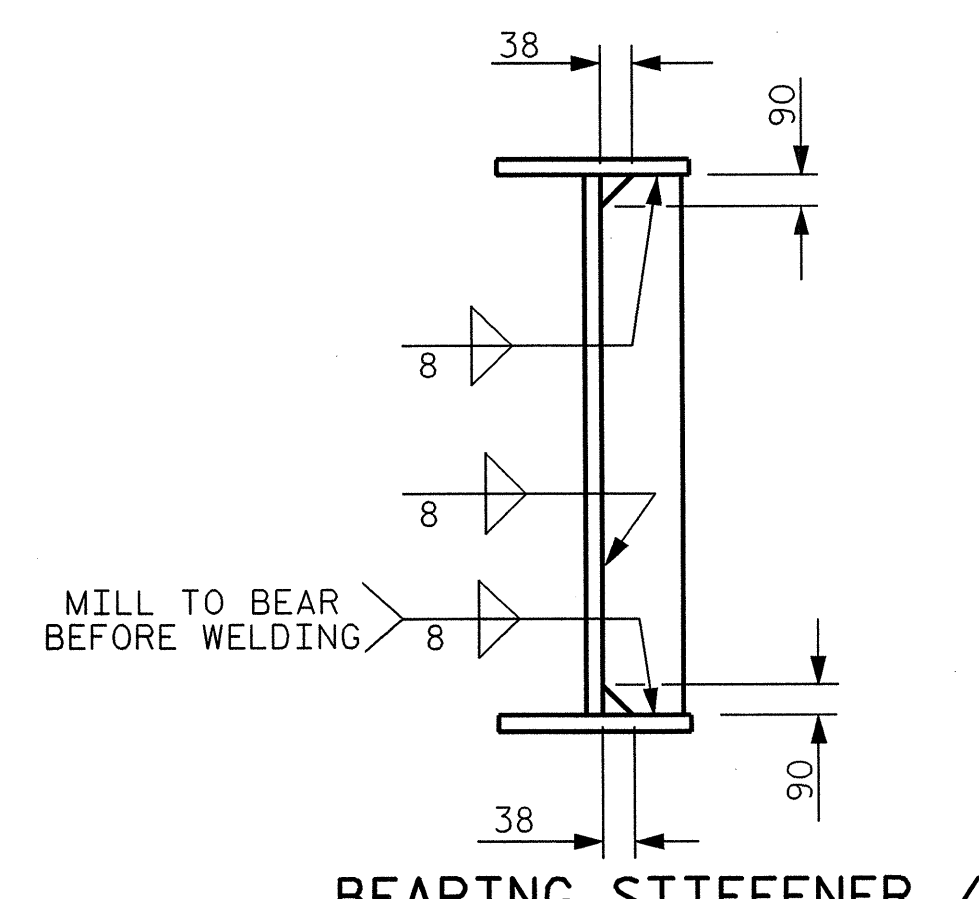
**BENT & INTERMEDIATE DIAPHRAGM (D2)**



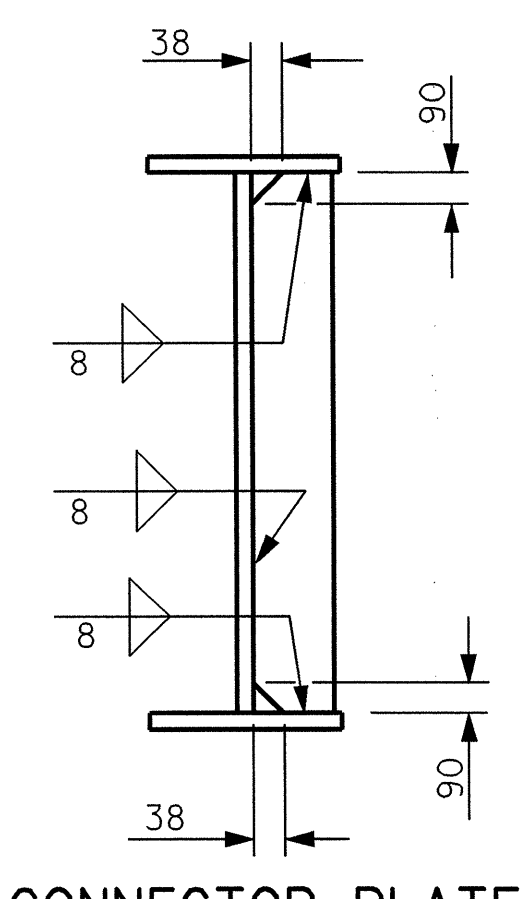
**GUSSET PLATE DETAILS**



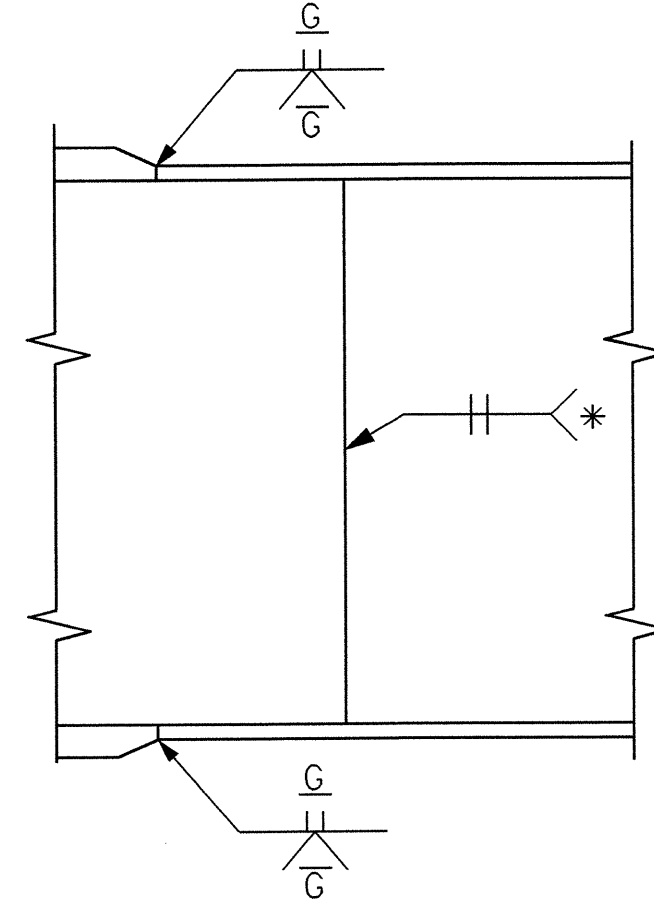
**BEARING STIFFENER**



**BEARING STIFFENER / CONNECTOR PLATE**

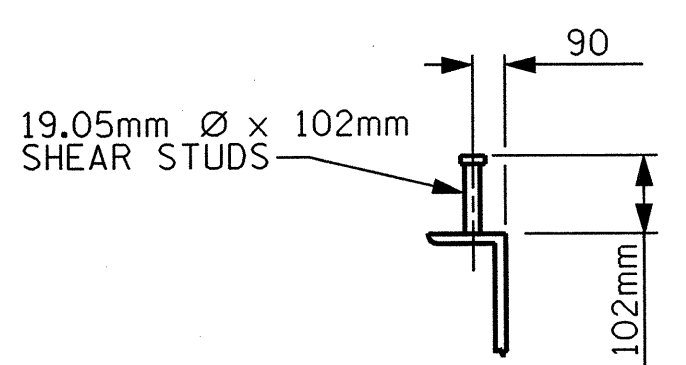


**CONNECTOR PLATE**

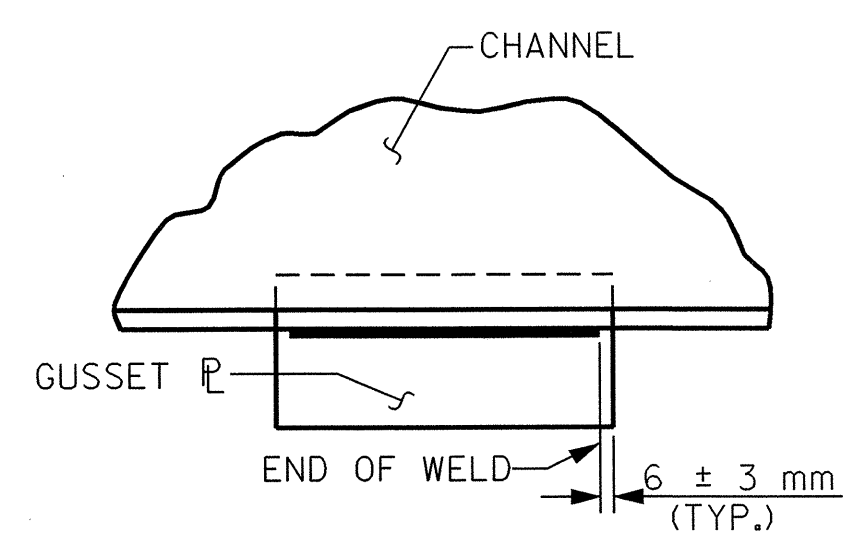


**PERMISSIBLE SHOP WEB SPLICE**

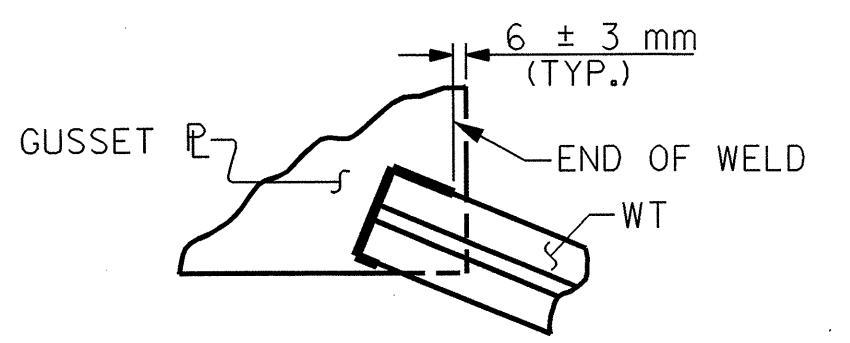
\* GRIND SMOOTH AND FLUSH ON OUTSIDE OF EXTERIOR GIRDERS



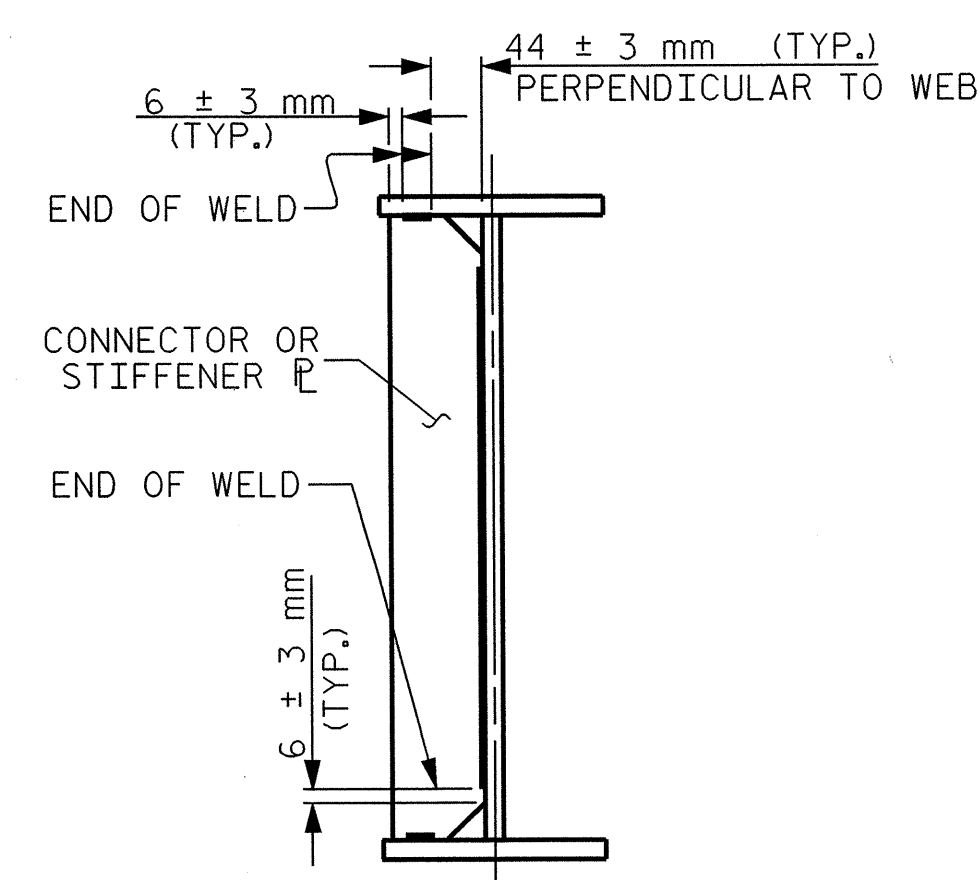
**SHEAR STUD DETAIL FOR C380x50**



**TYPICAL GUSSET PLATE CONNECTION**



**TYPICAL "TEE" TO GUSSET PLATE CONNECTION**

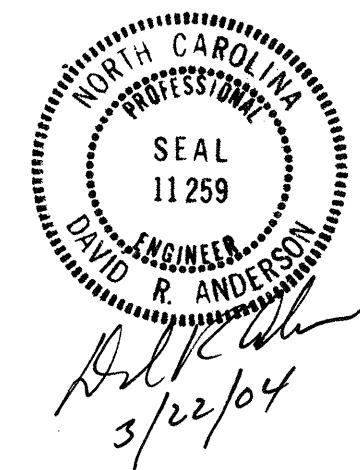


**TYPICAL STIFFENER OR CONNECTOR PLATE CONNECTIONS**

**WELD TERMINATION DETAILS**

PROJECT NO. R-513C  
ROBESON COUNTY  
 STATION: 277+68.339 -L-

SHEET 3 OF 4



STATE OF NORTH CAROLINA DEPARTMENT OF TRANSPORTATION RALEIGH					
<b>SUPERSTRUCTURE STRUCTURAL STEEL (LEFT LANE)</b>					
REVISIONS					
NO.	BY:	DATE:	NO.	BY:	DATE:
1			3		
2			4		
					SHEET NO. 3-139
					TOTAL SHEETS 312

DRAWN BY: I.A. WALTER DATE: 5/22/01  
 CHECKED BY: N.O. TRAN DATE: 10/14/02