

NOTES

FOR POT BEARINGS, SEE SPECIAL PROVISIONS.

AT ALL POINTS OF SUPPORT, NUTS FOR ANCHOR BOLTS SHALL BE TIGHTENED FINGER TIGHT AND GIVEN AN ADDITIONAL 1/4 TURN. THE THREAD OF THE NUT AND BOLT SHALL THEN BE BURRED WITH A SHARP POINTED TOOL.

WHEN WELDING THE SOLE PLATE TO THE GIRDER, USE TEMPERATURE INDICATING WAX PENS, OR OTHER SUITABLE MEANS, TO ENSURE THAT THE TEMPERATURE OF THE BEARING DOES NOT EXCEED 121°C. TEMPERATURES ABOVE THIS MAY DAMAGE THE TFE OR ELASTOMER.

AFTER BEARING ASSEMBLY IS IN PLACE AND ANCHOR BOLTS HAVE BEEN FINALLY POSITIONED, THEY SHALL BE GROUTED IN PLACE AS SHOWN.

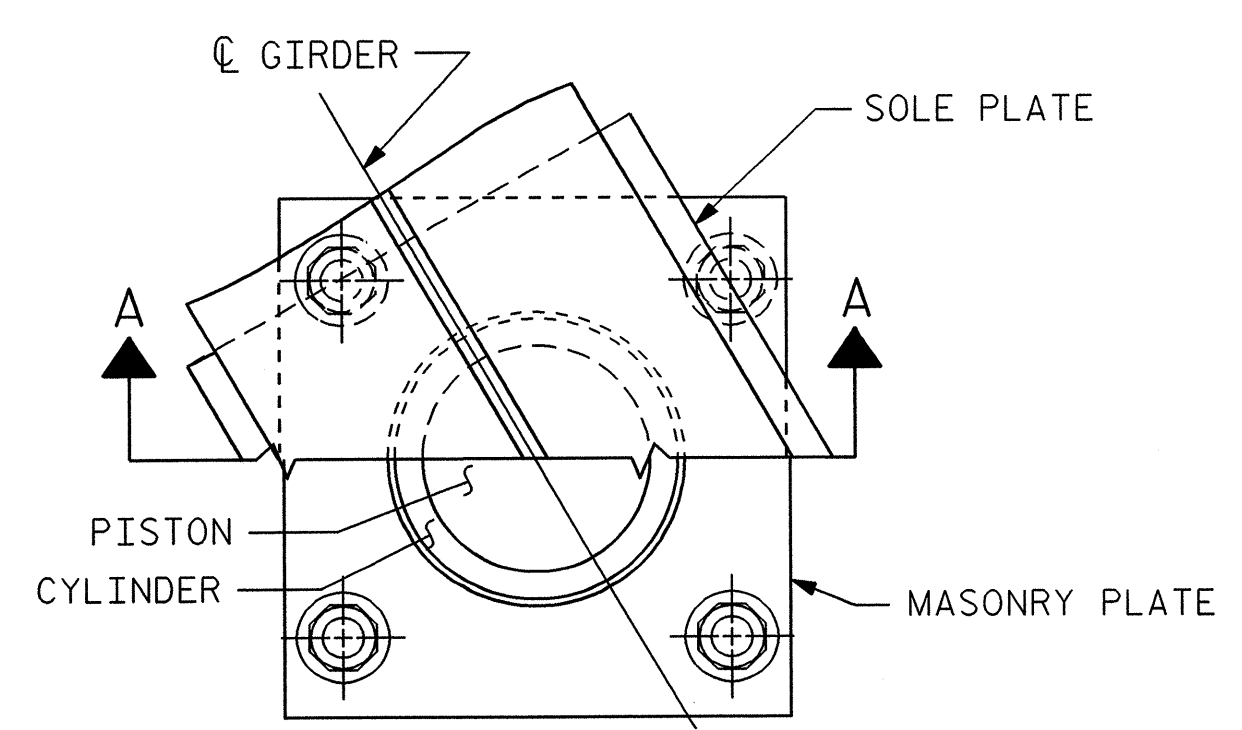
THE CLOSURE PLATE AND STANDARD PIPE FOR THE PIPE SLEEVE ASSEMBLY NEED NOT BE GALVANIZED.

SOLE PLATES SHOULD BE WELDED TO BEAM FLANGES AND ANCHOR BOLTS SHOULD BE GROUTED BEFORE FALSEWORK IS PLACED.

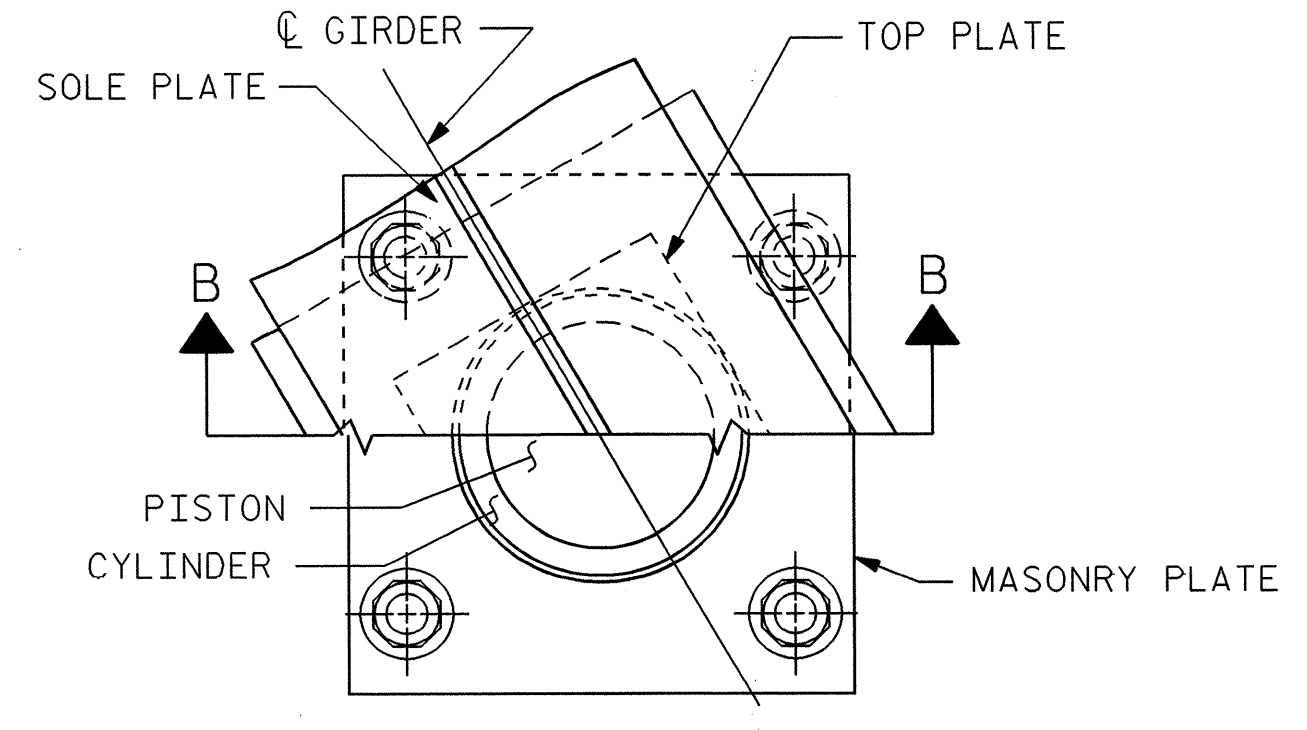
ALL SURFACES OF BEARING PLATES SHALL BE SMOOTH AND STRAIGHT.

FOR THERMAL SPRAYED COATING (METALLIZATION) SEE SPECIAL PROVISIONS.

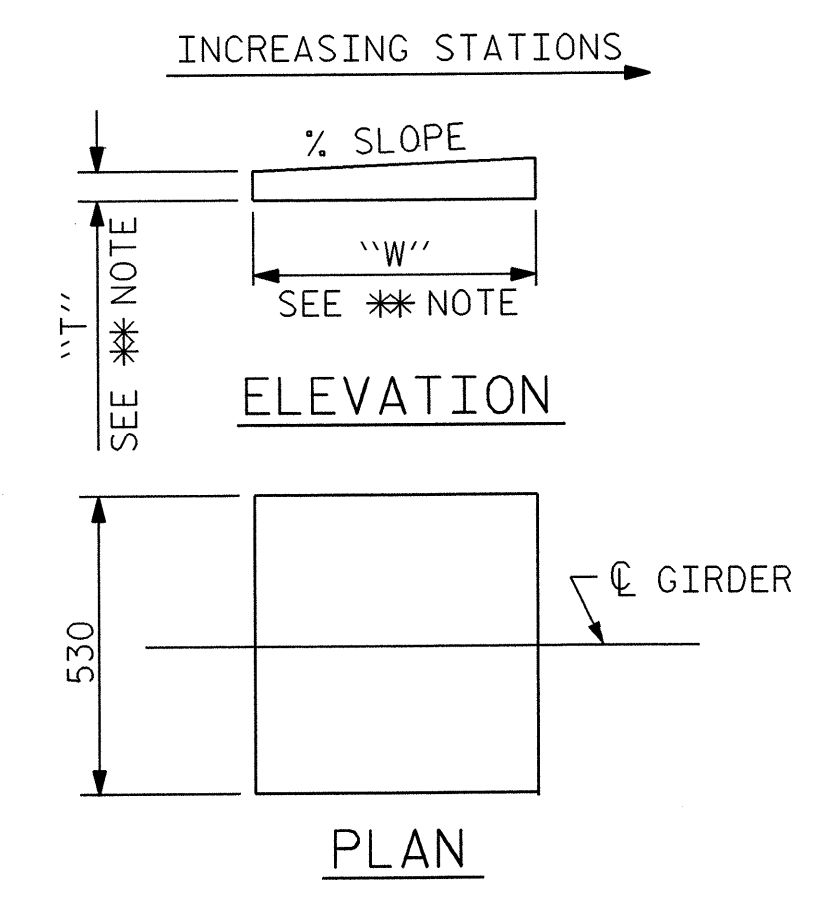
THE CONTRACTOR MAY SUBSTITUTE DISC BEARINGS FOR THE POT BEARINGS SHOWN. FOR OPTIONAL DISC BEARINGS, SEE SPECIAL PROVISIONS.



CUT-AWAY PLAN

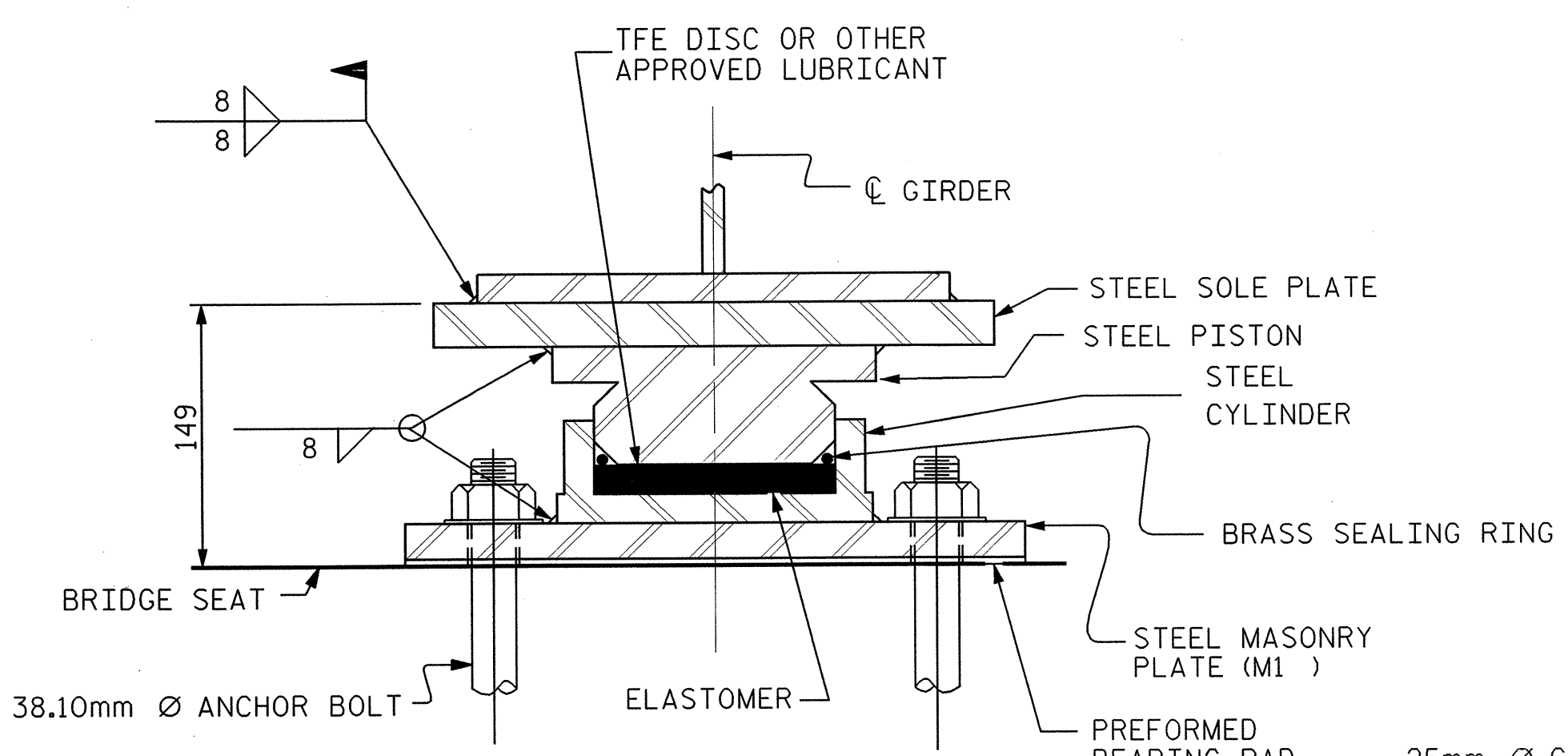


CUT-AWAY PLAN

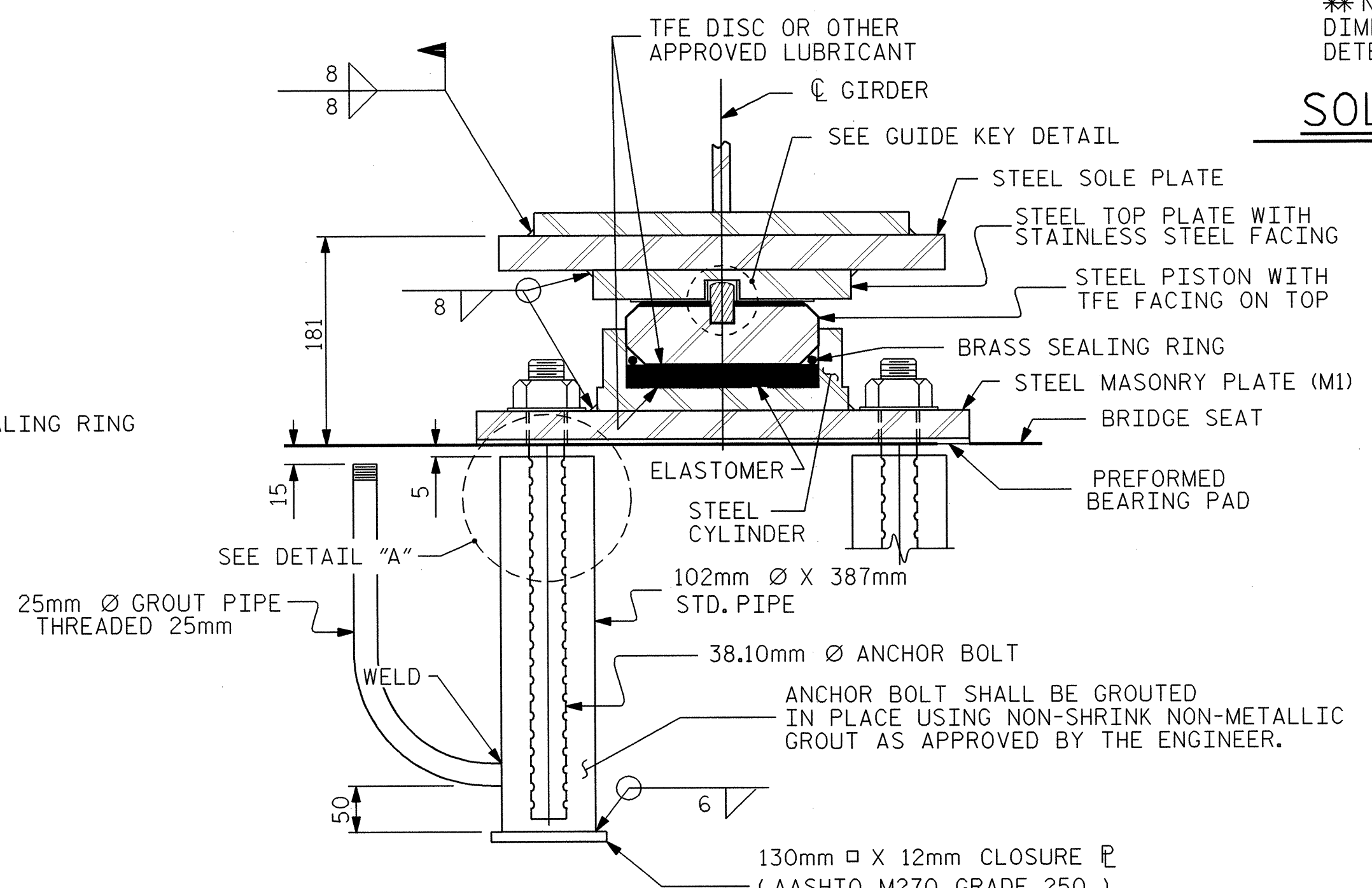


** NOTE: DIMENSIONS "W" AND "T" ARE TO BE DETERMINED BY THE MANUFACTURER.

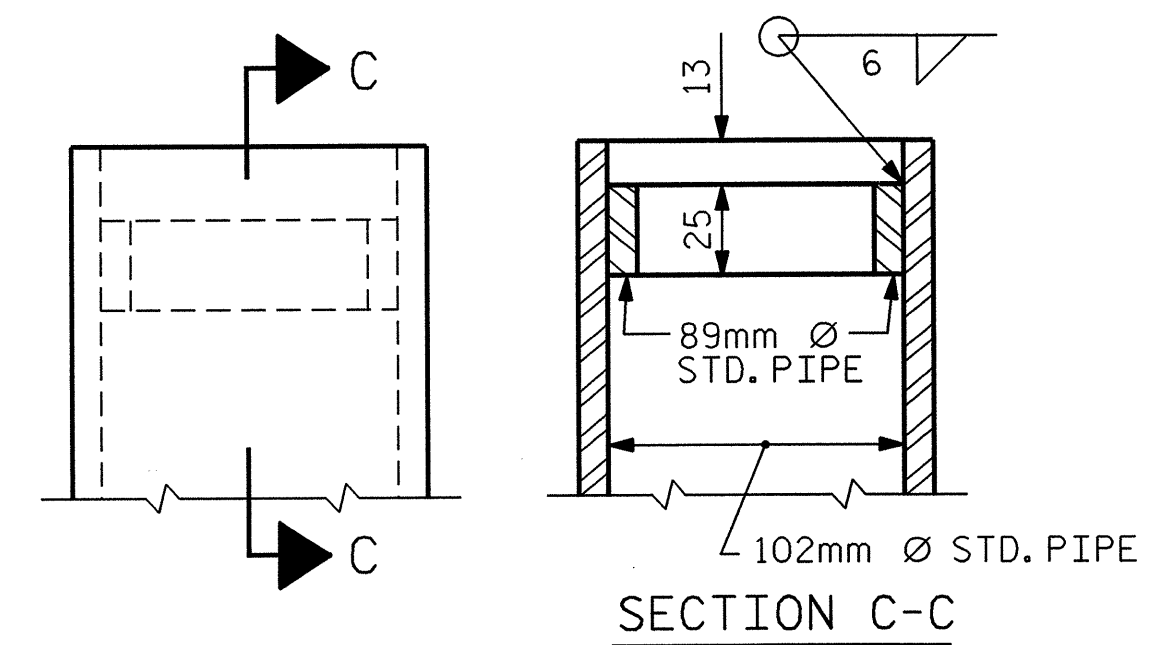
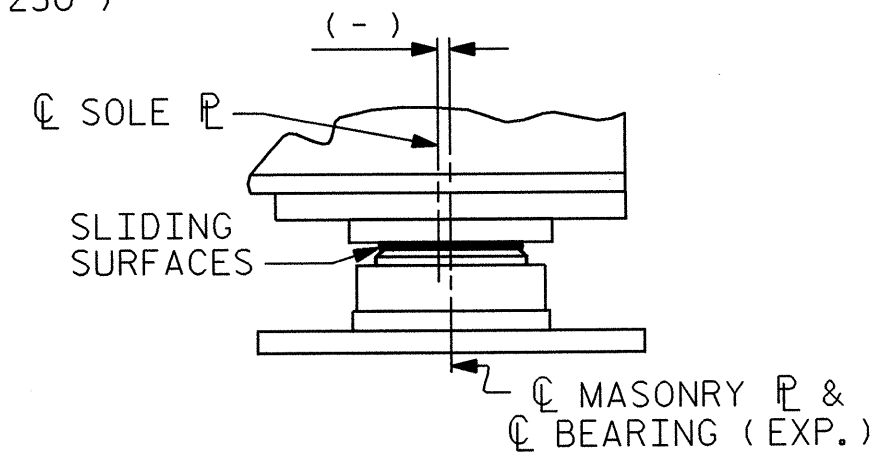
SOLE PLATE DETAILS



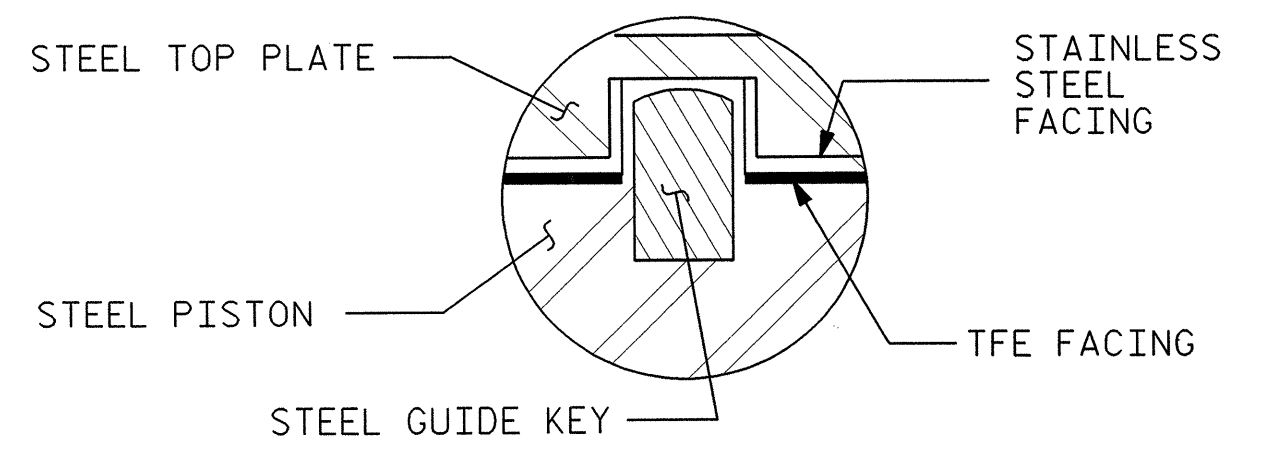
SECTION A-A
PB1, FIXED
 (6 REQUIRED)



SECTION B-B
PB2, EXP.
 (12 REQUIRED)

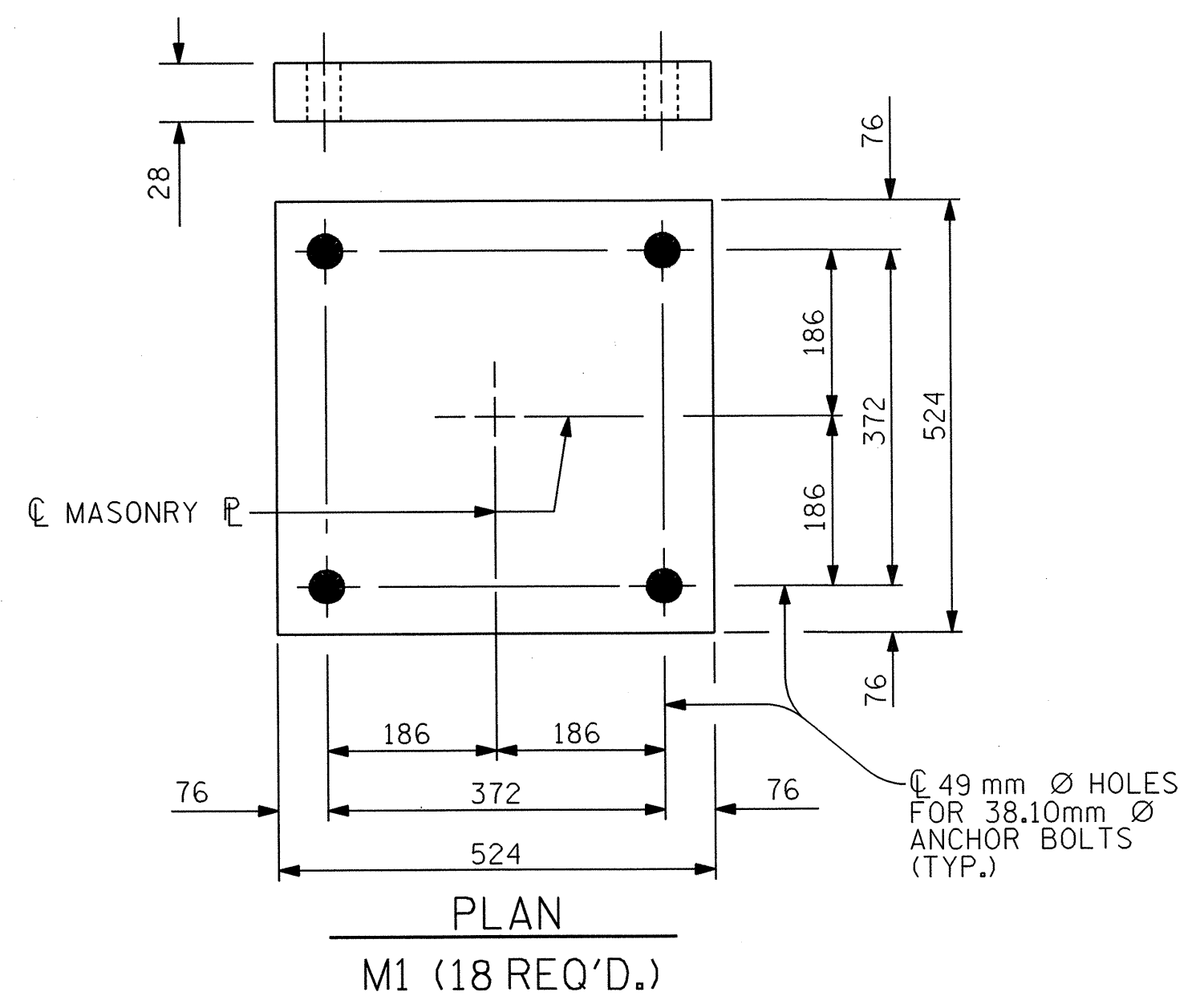


DETAIL "A"



GUIDE KEY DETAIL

POT BEARING DETAILS



MASONRY PLATE DETAILS

TABLE FOR PLATE SETTING DATA
 (EXPANSION POT BEARINGS)

TEMPERATURE AT TIME OF SETTING	0° C	16° C	32° C	*
BENT 1	-7	0	7	-12
BENT 3	-7	0	7	-7

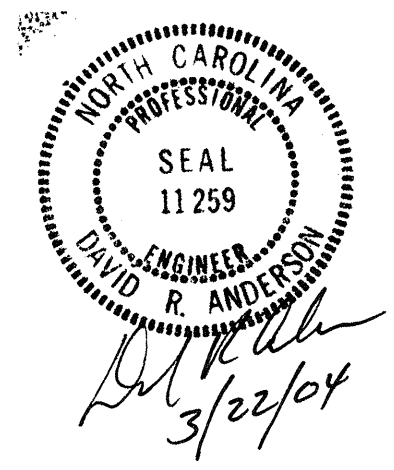
*CORRECTION FOR END ROTATION DUE TO WEIGHT OF SLAB AND COMPOSITE DEAD LOAD.

TABLE FOR LOADS AND MOVEMENTS

BEARING	LOCATION	VERTICAL LOAD (kN)			LATERAL LOAD (kN)	TOTAL MOVEMENT (mm)
		DEAD	LIVE	TOTAL		
PB2 (EXP.)	BENT 1	1190	605	1795	250	26
PB1 (FIXED)	BENT 2	950	570	1520	190	0
PB2 (EXP.)	BENT 3	1140	590	1730	240	26

TEMPERATURE SETTING DETAIL

PROJECT NO. R-513C
ROBESON COUNTY
 STATION: 277+68.339 -L-



STATE OF NORTH CAROLINA
 DEPARTMENT OF TRANSPORTATION
 RALEIGH

STANDARD POT BEARING DETAILS
 (LEFT LANE)

REVISIONS						SHEET NO.
NO.	BY:	DATE:	NO.	BY:	DATE:	
1			3			3-144
2			4			TOTAL SHEETS 312

ASSEMBLED BY : T.A. WALTER DATE : 5/18/01
 CHECKED BY : N.O. TRAN DATE : 10/14/02
 DRAWN BY : RWW 8/99
 CHECKED BY : LES 8/99

ADDED 8/16/99
 REV. 10/17/00 RWW/LES