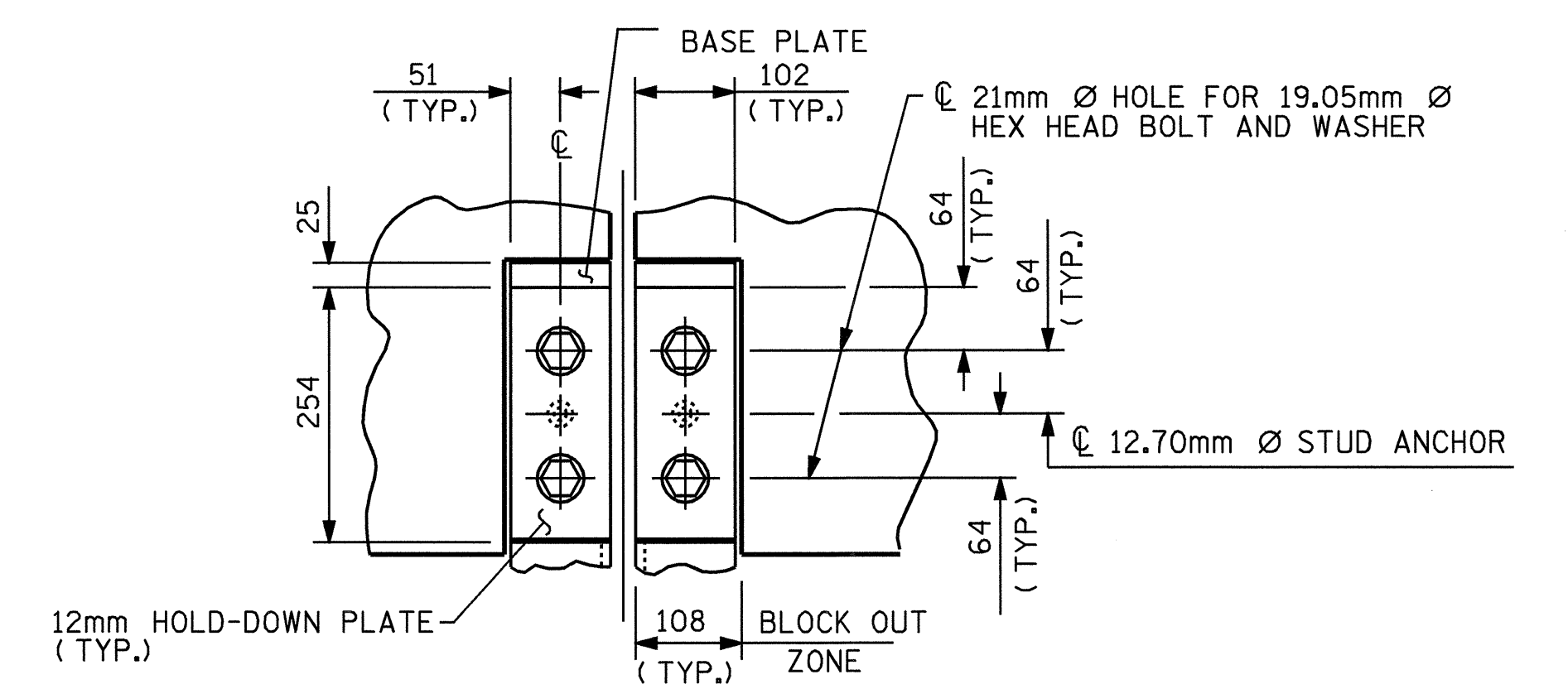
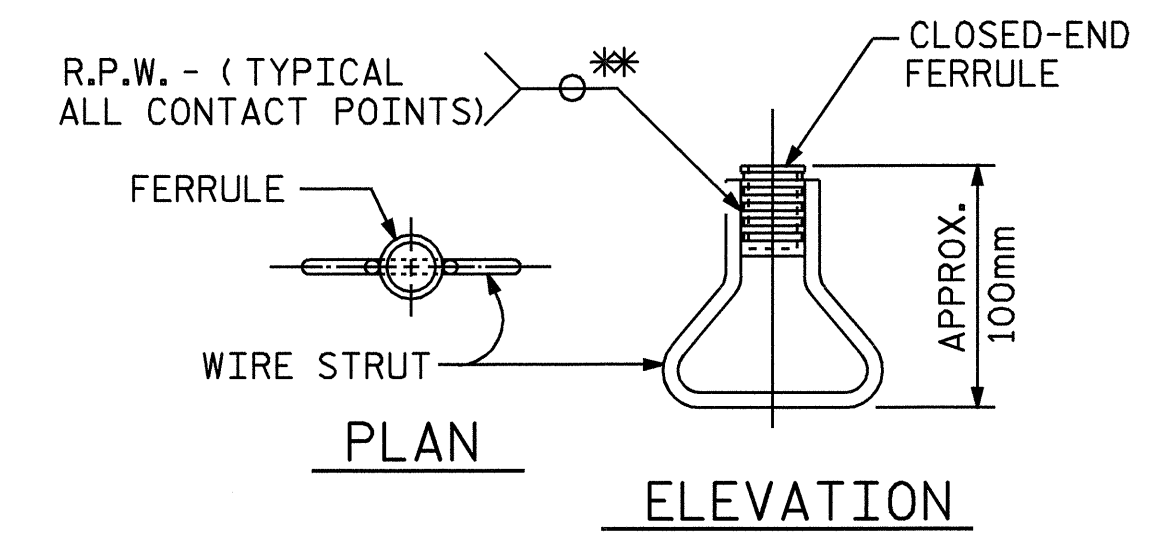


SECTION THRU RAIL NORMAL TO JOINT

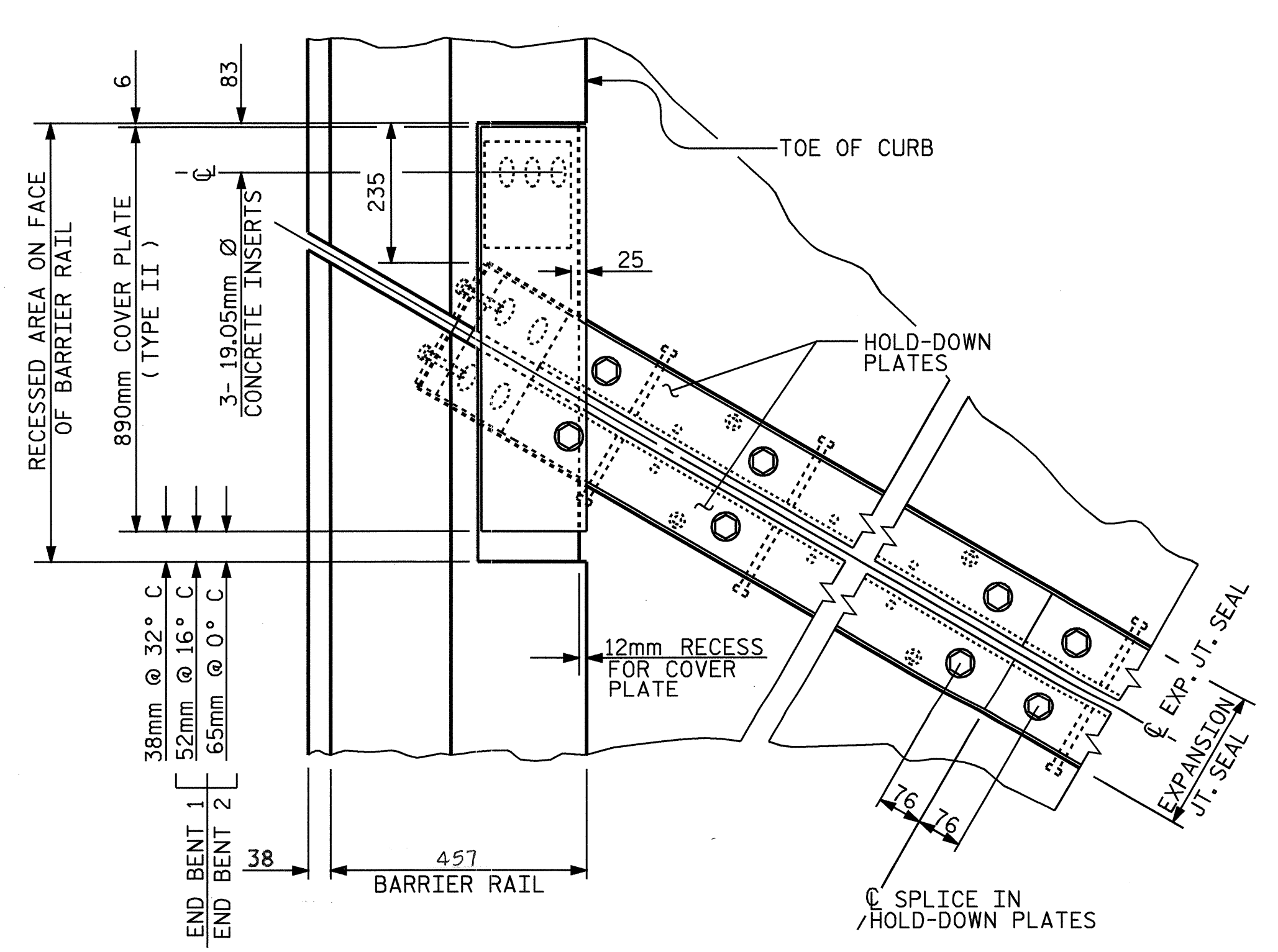


SECTION A - A



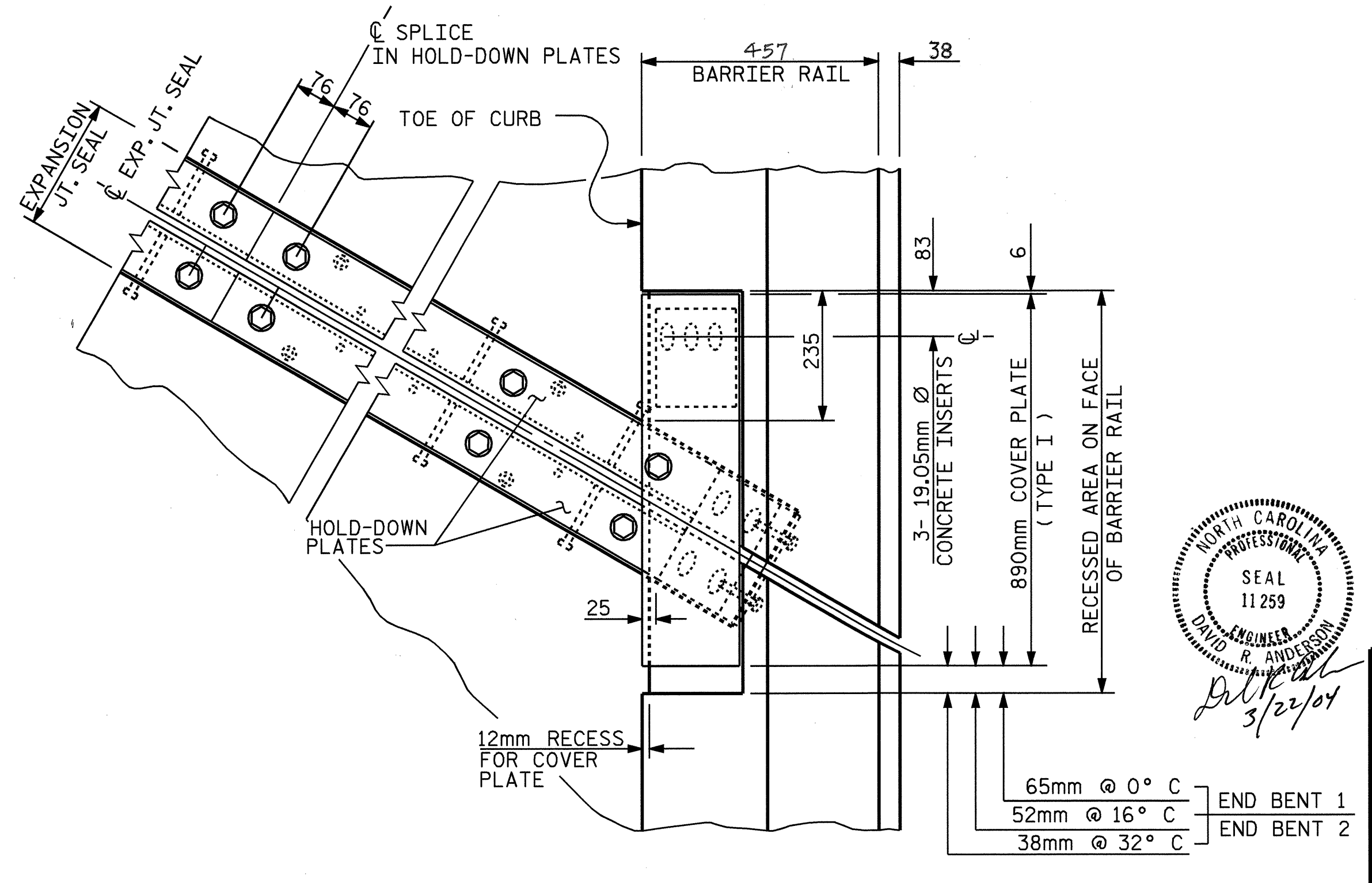
CONCRETE INSERT

* EACH WELDED ATTACHMENT OF WIRE TO FERRULE SHALL DEVELOP THE TENSILE STRENGTH OF THE WIRE.



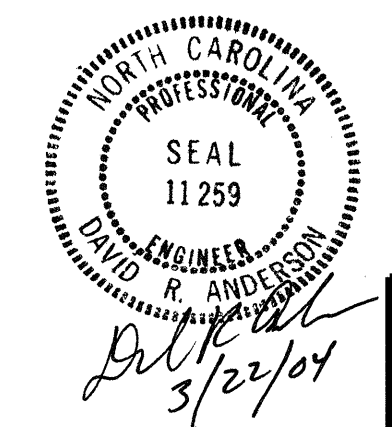
PLAN OF EXPANSION JOINT SEAL - LEFT SIDE

FLOW OF TRAFFIC ↓



PLAN OF EXPANSION JOINT SEAL - RIGHT SIDE

PROJECT NO. R-513C
ROBESON COUNTY
 STATION: 277+68.339 -L-
 SHEET 2 OF 3



STATE OF NORTH CAROLINA
 DEPARTMENT OF TRANSPORTATION
 RALEIGH
EXPANSION JOINT SEAL DETAILS FOR BARRIER RAIL (LEFT LANE)

REVISIONS					SHEET NO.	
NO.	BY:	DATE:	NO.	BY:	DATE:	SHEET NO.
1			3			5-146
2			4			TOTAL SHEETS 312

DRAWN BY : T.A. WALTER DATE : 10/29/02
 CHECKED BY : N.Q. TRAN DATE : 11/01/02