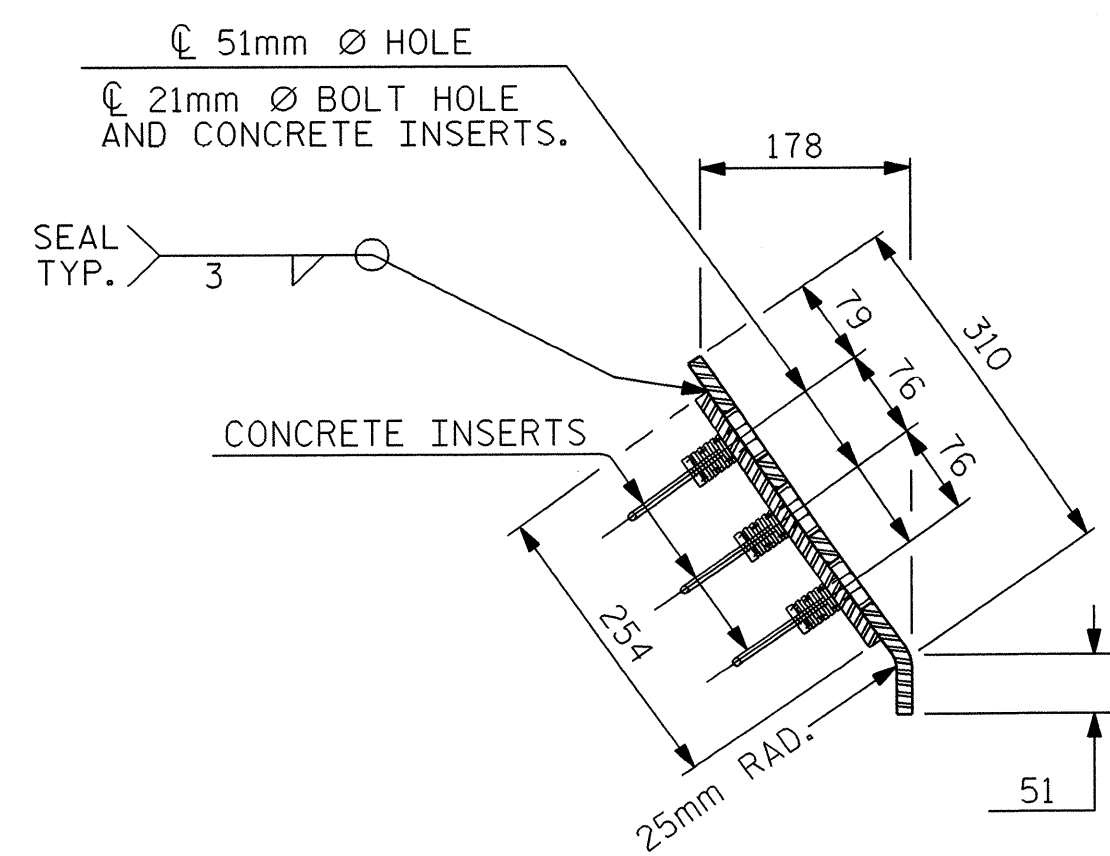


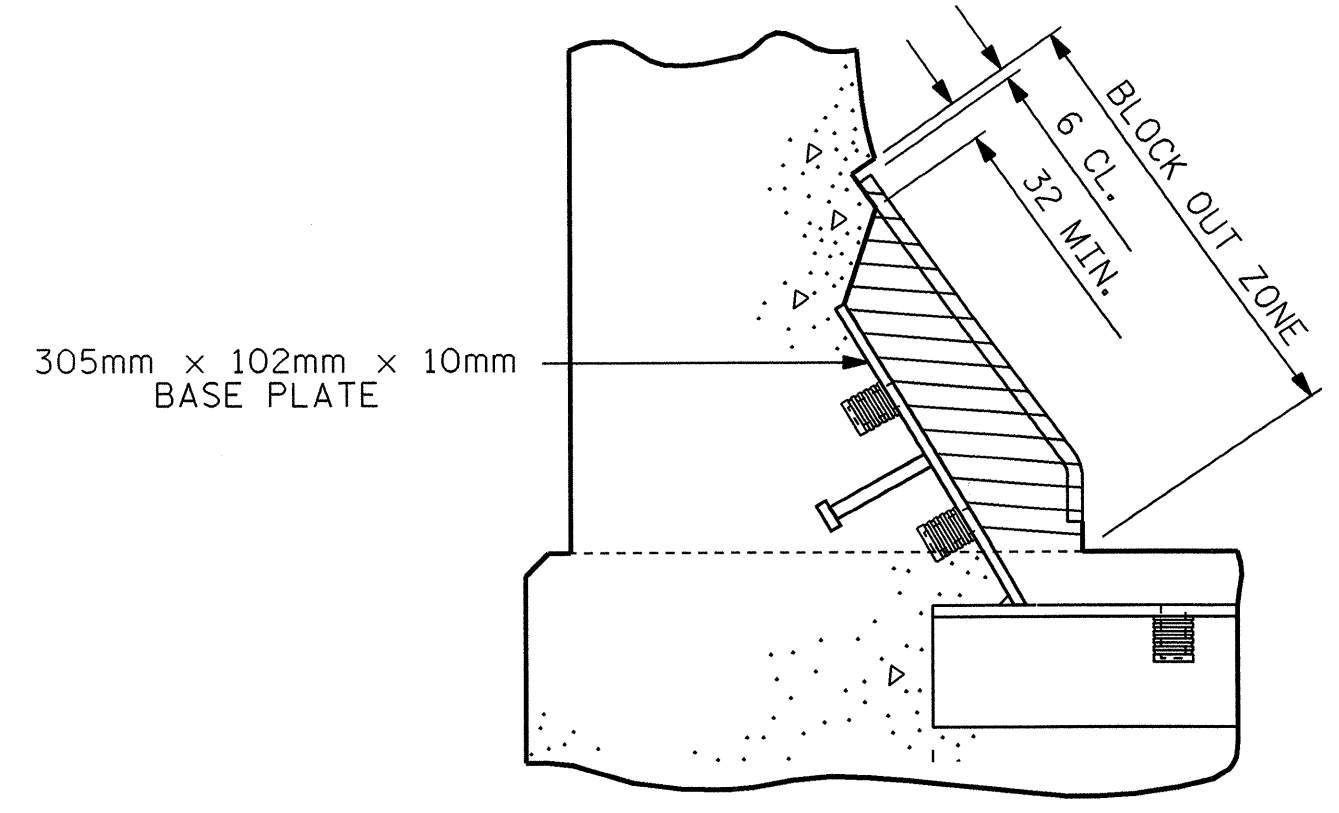
TYPE I - ELEVATION VIEW

TYPE II - ELEVATION VIEW

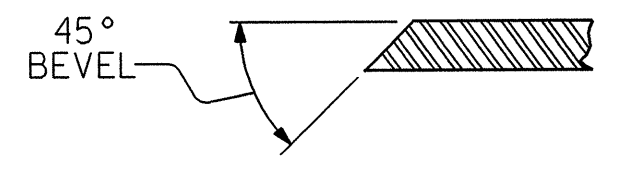
COVER PLATE DETAILS



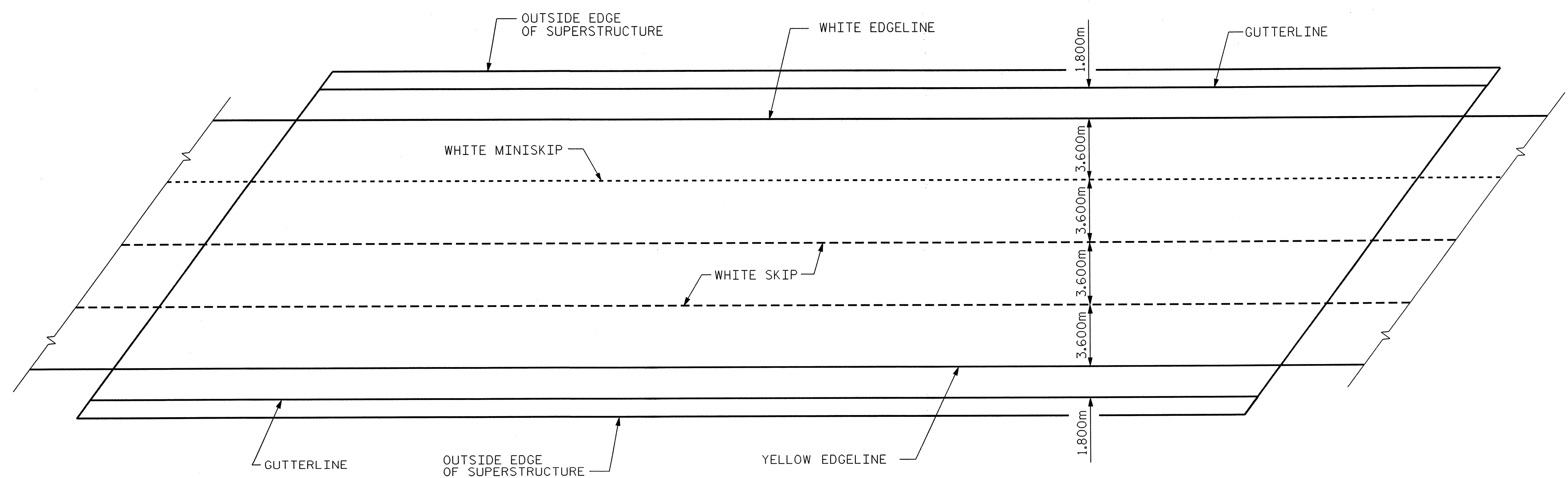
END VIEW



BLOCK OUT DETAIL  
 SEE "SECTION A - A" FOR OTHER DETAILS.



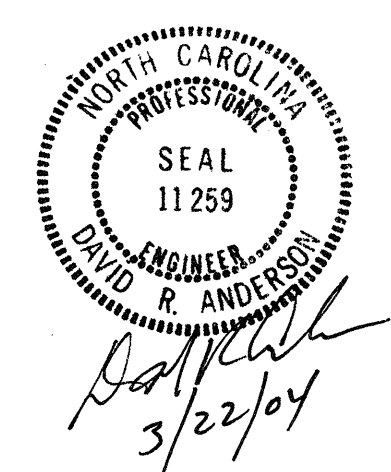
SECTION B - B



PAVEMENT MARKING ALIGNMENT

PROJECT NO. R-513C  
ROBESON COUNTY  
 STATION: 277+68.339 -L-

SHEET 3 OF 3



STATE OF NORTH CAROLINA  
 DEPARTMENT OF TRANSPORTATION  
 RALEIGH

**EXPANSION JOINT  
 SEAL DETAILS  
 FOR BARRIER RAIL  
 (LEFT LANE)**

REVISIONS						SHEET NO.	
NO.	BY:	DATE:	NO.	BY:	DATE:	S-147	
1			3			TOTAL SHEETS	
2			4			312	

DRAWN BY : T.A. WALTER DATE : 10/29/02  
 CHECKED BY : N.O. TRAN DATE : 11/01/02