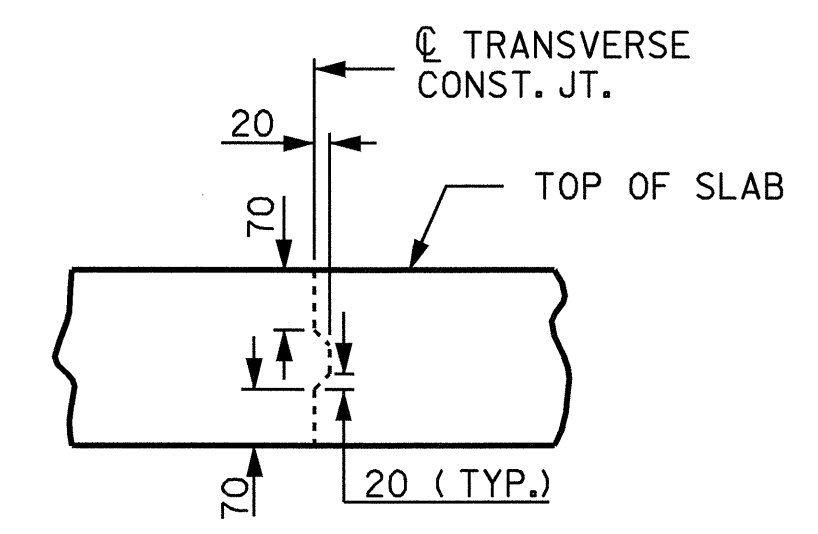
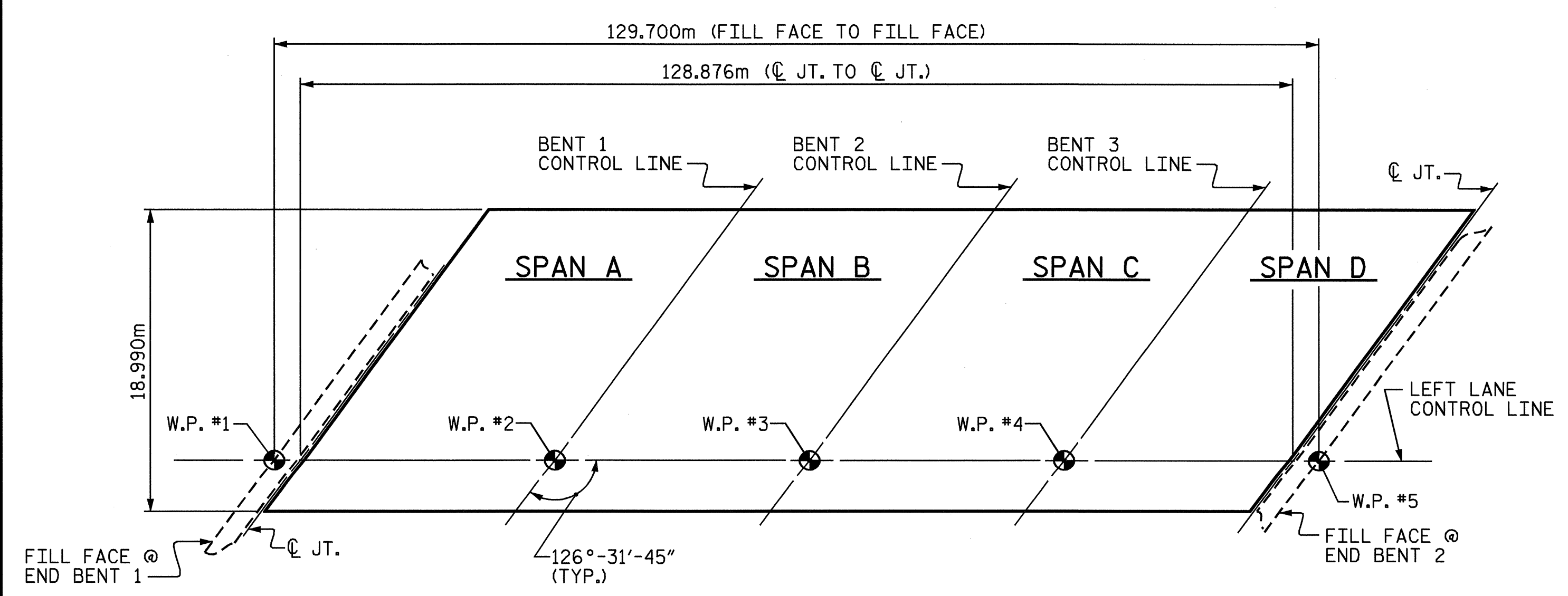


POURING SEQUENCE

CONCRETE QUANTITY BREAKDOWN			
POUR 1	POUR 2	POUR 3	POUR 4
100.2 CUBIC METERS	167.1 CUBIC METERS	164.6 CUBIC METERS	221.4 CUBIC METERS



TRANSVERSE CONSTRUCTION JOINT DETAIL
SLAB REINFORCING STEEL SHALL BE CONTINUOUS THRU JOINT



LAYOUT FOR COMPUTING AREA
OF REINFORCED CONCRETE DECK SLAB
(SQ. METER = 2440.9)

ASSEMBLED BY : T.A. WALTER DATE : 9/28/00
CHECKED BY : N.Q. TRAN DATE : 11/01/02
DRAWN BY : JMB 5/87 REV. 5/16/97 EEM/RGW
CHECKED BY : SJD 9/87

REINFORCING BAR SCHEDULE

BAR NO.	SIZE	TYPE	LENGTH	WEIGHT	BAR NO.	SIZE	TYPE	LENGTH	WEIGHT		
* A1	1532	16	STR	9820	23349	A219	6	16	STR	7320	68
A2	1532	16	STR	9760	23206	A220	6	16	STR	6720	63
* A3	6	19	STR	5880	79	A221	6	16	STR	6100	57
* A101	12	16	STR	9520	177	A222	6	16	STR	5500	51
* A102	6	16	STR	17640	164	A223	6	16	STR	4880	45
* A103	6	16	STR	17040	159	A224	6	16	STR	4280	40
* A104	6	16	STR	16440	153	A225	6	16	STR	3680	34
* A105	6	16	STR	15820	147	A226	6	16	STR	3060	28
* A106	6	16	STR	15220	142	A227	6	16	STR	2460	23
* A107	6	16	STR	14600	136	A228	6	16	STR	1860	17
* A108	6	16	STR	14000	130	A229	6	16	STR	1240	12
* A109	6	16	STR	13400	125	A230	6	16	STR	640	6
* A110	6	16	STR	12780	119	* B1	129	13	STR	8420	1080
* A111	6	16	STR	12180	113	* B2	166	22	STR	11500	5807
* A112	6	16	STR	11580	108	* B3	166	13	STR	6820	1125
* A113	6	16	STR	10960	102	* B4	83	22	STR	17600	4444
* A114	6	16	STR	10360	96	* B5	166	13	STR	7520	1241
* A115	6	16	STR	9740	91	* B6	166	22	STR	11000	5555
* A116	6	16	STR	9140	85	* B7	129	13	STR	7600	975
* A117	6	16	STR	8540	80	B8	680	16	STR	16680	17603
* A118	6	16	STR	7920	74	* G1	4	16	STR	12120	75
* A119	6	16	STR	7320	68	J1	150	13	4	440	66
* A120	6	16	STR	6720	63	* K1	8	16	1	2560	32
* A121	6	16	STR	6100	57	* K2	16	16	2	2600	65
* A122	6	16	STR	5500	51	K3	20	16	STR	3580	111
* A123	6	16	STR	4880	45	* S1	120	13	3	1200	143
* A124	6	16	STR	4280	40	REINFORCING STEEL			kg.	43631	
* A125	6	16	STR	3680	34	* EPOXY COATED REINFORCING STEEL			kg.	46615	
* A126	6	16	STR	3060	28						
* A127	6	16	STR	2460	23						
* A128	6	16	STR	1860	17						
* A129	6	16	STR	1240	12						
* A130	6	16	STR	640	6						
A201	12	16	STR	9460	176						
A202	6	16	STR	17640	164						
A203	6	16	STR	17040	159						
A204	6	16	STR	16440	153						
A205	6	16	STR	15820	147						
A206	6	16	STR	15220	142						
A207	6	16	STR	14600	136						
A208	6	16	STR	14000	130						
A209	6	16	STR	13400	125						
A210	6	16	STR	12780	119						
A211	6	16	STR	12180	113						
A212	6	16	STR	11580	108						
A213	6	16	STR	10960	102						
A214	6	16	STR	10360	96						
A215	6	16	STR	9740	91						
A216	6	16	STR	9140	85						
A217	6	16	STR	8540	80						
A218	6	16	STR	7920	74						

* THESE BARS ARE EPOXY COATED

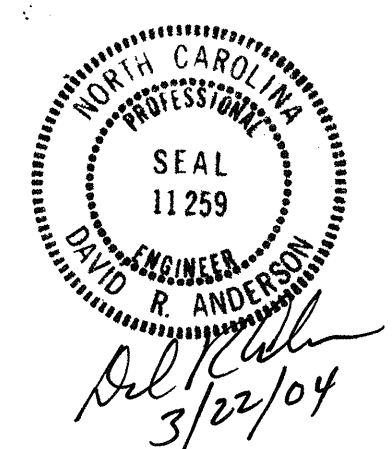
GROOVING BRIDGE FLOORS

BRIDGE DECK *	2498.0 SQ.METER
TOTAL	2498.0 SQ.METER

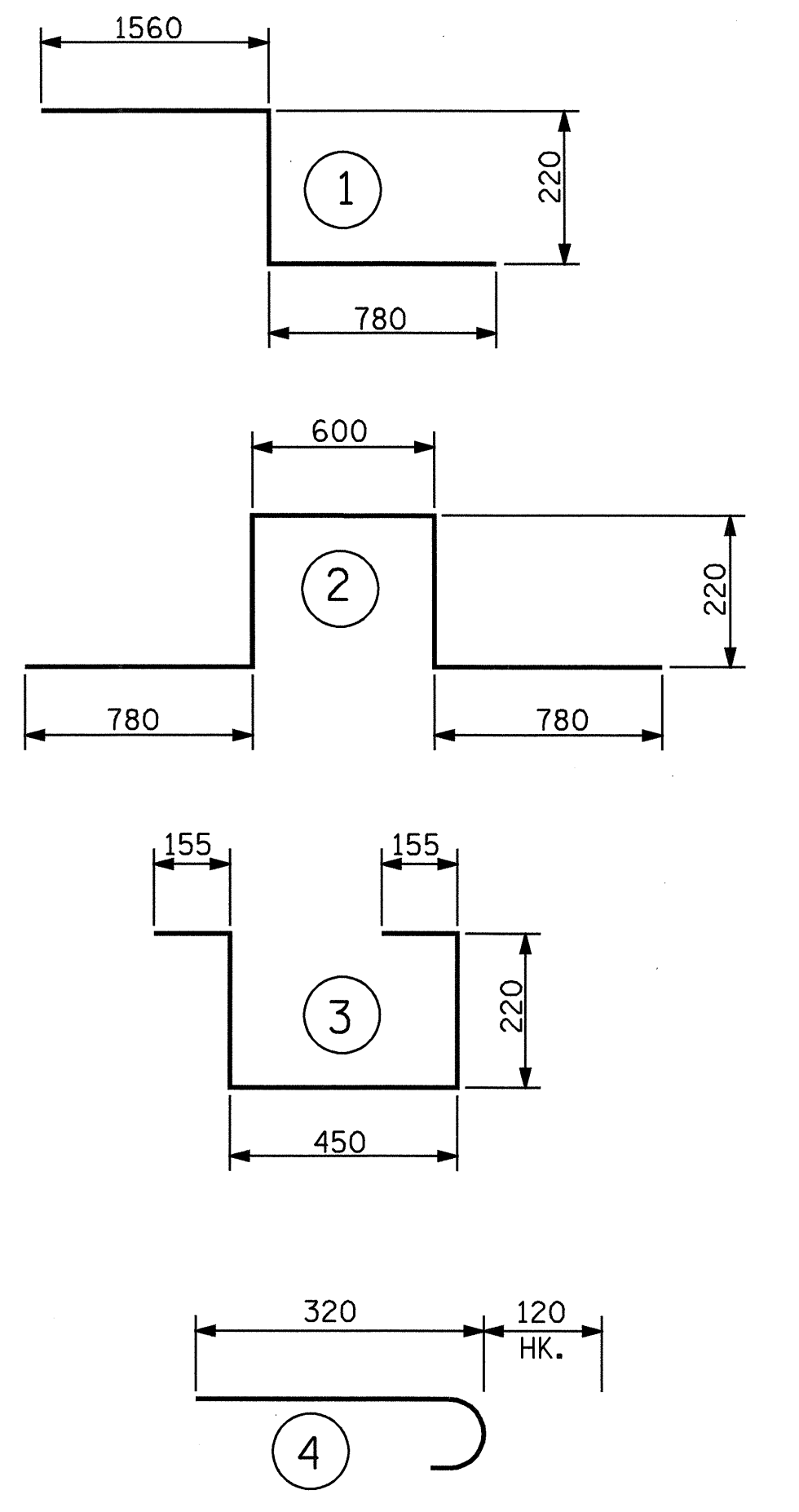
* INCLUDES QUANTITY ON APPROACH SLABS

SUPERSTRUCTURE REINFORCING STEEL LENGTHS ARE BASED ON THE FOLLOWING MINIMUM SPLICE LENGTHS

BAR SIZE	SUPERSTRUCTURE EXCEPT APPROACH SLABS, PARAPET, AND BARRIER RAIL		APPROACH SLABS		PARAPET AND BARRIER RAIL
	EPOXY COATED	UNCOATED	EPOXY COATED	UNCOATED	
#13	610	540	610	540	840
#16	770	660	770	660	1050
#19	920	790	1190	790	1330
#22	1580	1060			
#25	2080	1390			



BAR TYPES



ALL BAR DIMENSIONS ARE OUT TO OUT

SUPERSTRUCTURE BILL OF MATERIAL

	CLASS AA CONCRETE (CU.METER)	REINFORCING STEEL (kg)	EPOXY COATED REINFORCING STEEL (kg)
SPAN A-D	653.3	43,631	46,615
TOTALS**	653.3	43,631	46,615

** QUANTITIES FOR BARRIER RAIL ARE NOT INCLUDED

PROJECT NO. R-513C
ROBESON COUNTY
STATION: 277+68.339 -L-

STATE OF NORTH CAROLINA
DEPARTMENT OF TRANSPORTATION
RALEIGH

SUPERSTRUCTURE BILL OF MATERIAL (LEFT LANE)

REVISIONS					SHEET NO.
NO.	BY:	DATE:	NO.	BY:	DATE:
1			3		
2			4		

TOTAL SHEETS: 312