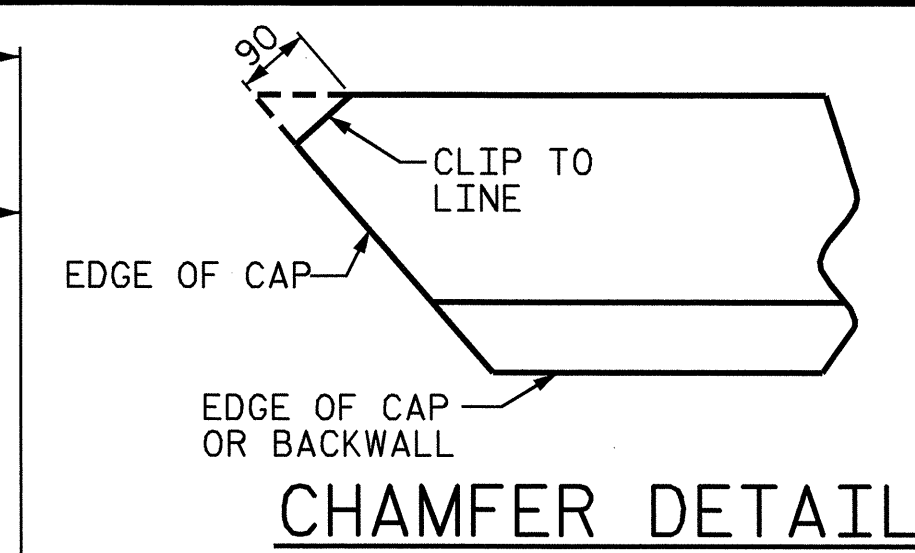


PLAN

79-#16 V1 @ 300mm CTS. (TYP. EA. FACE)
79-#13 U1 @ 300mm CTS.

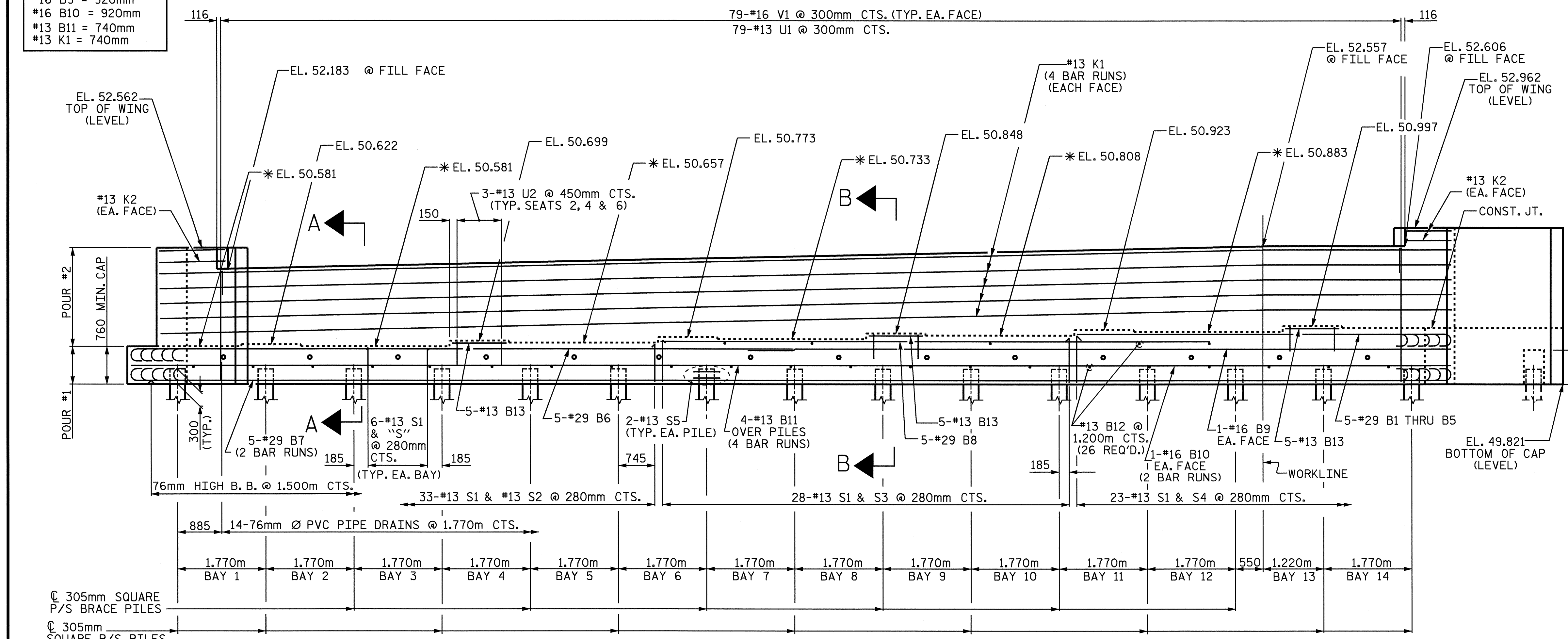
SPLICE LENGTH

#29 B6	= 2670mm
#29 B7	= 1910mm
#29 B8	= 2670mm
#16 B9	= 920mm
#16 B10	= 920mm
#13 B11	= 740mm
#13 K1	= 740mm



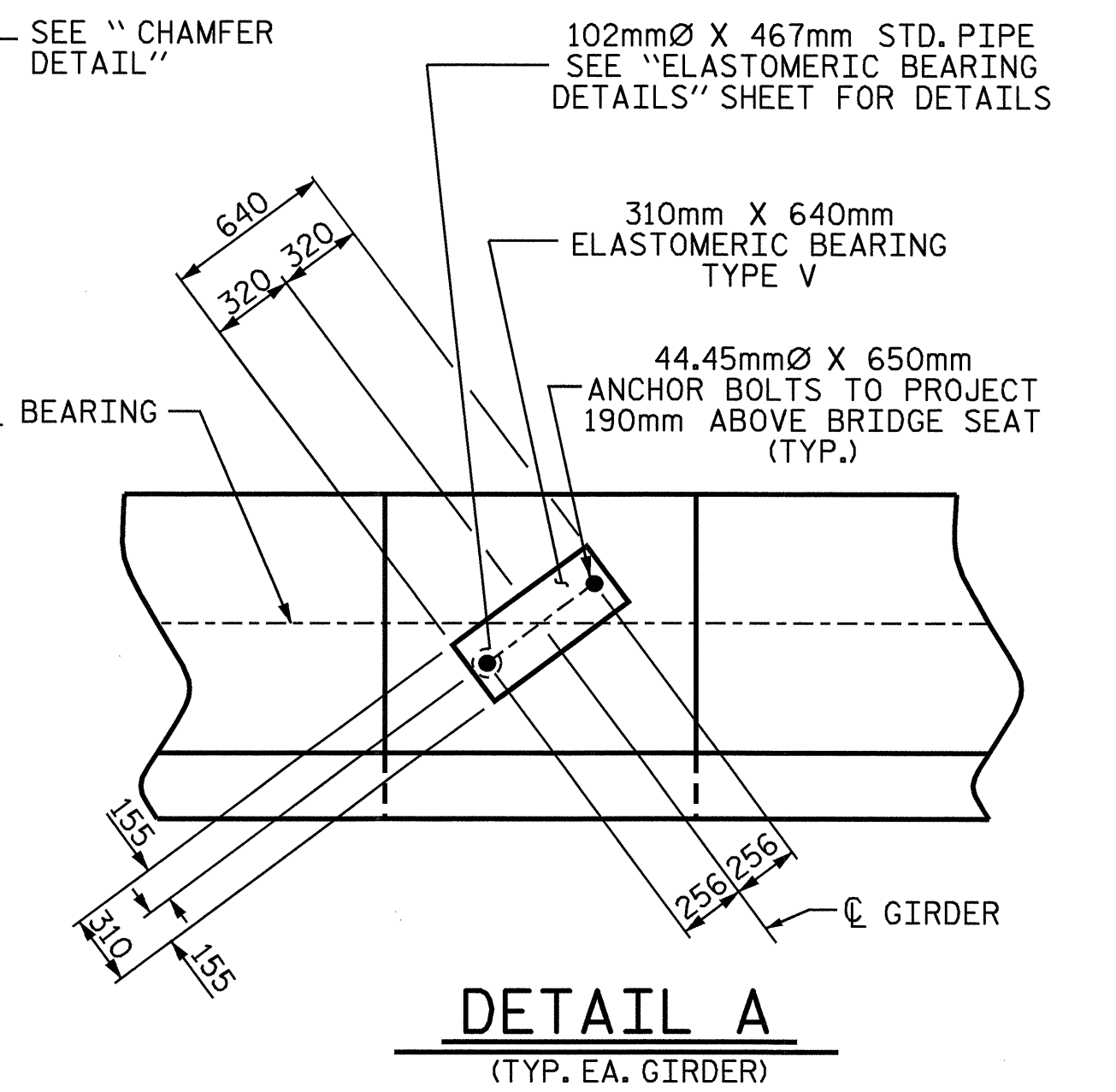
CHAMFER DETAIL

NOTES :
STIRRUPS IN CAP MAY BE SHIFTED AS NECESSARY TO CLEAR ANCHOR BOLTS.
FOR EPOXY PROTECTIVE COATING, SEE SPECIAL PROVISIONS.
PIPE DRAINS MAY BE SHIFTED SLIGHTLY AS NECESSARY TO CLEAR REINFORCING STEEL AND ANCHOR BOLTS.
THE TOP SURFACE AREAS OF THE END BENT CAP SHALL BE CURED IN ACCORDANCE WITH THE STANDARD SPECIFICATIONS EXCEPT THAT THE MEMBRANE CURING COMPOUND METHOD SHALL NOT BE USED.
BACKWALL SHALL BE PLACED BEFORE APPLYING THE EPOXY PROTECTIVE COATING.
THE TOP SURFACE OF THE CAP EXCEPT THE BRIDGE SEAT BUILDUPS SHALL BE SLOPED TRANSVERSELY FROM THE FILL FACE TO THE BACK FACE AT THE RATE OF 2%.
CONCRETE DISPLACED BY CONCRETE PILES HAS BEEN DEDUCTED FROM THE TOTAL CONCRETE QUANTITY.
THE CONTRACTOR SHALL PROVIDE FOR INSTALLATION OF THE 102mm DIAMETER DRAIN PIPE THROUGH THE WING WALL AS REQUIRED FOR REINFORCED BRIDGE APPROACH FILLS, SEE THE ROADWAY PLANS. REINFORCING STEEL IN THE WING WALL MAY BE SHIFTED AS NECESSARY TO CLEAR THE DRAIN PIPE.



ELEVATION

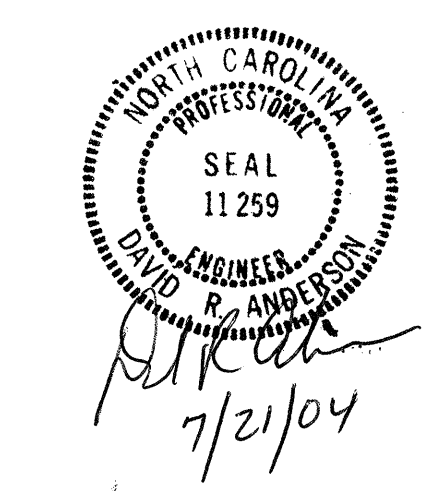
*FOR LOCATION OF ELEVATIONS BETWEEN BRIDGE SEAT BUILD-UPS, SEE "SECTION A-A", SHEET 3 OF 3.



DETAIL A
(TYP. EA. GIRDER)

PROJECT NO. R-513C
ROBESON COUNTY
STATION: 277+68.339 -L-

SHEET 1 OF 3



STATE OF NORTH CAROLINA DEPARTMENT OF TRANSPORTATION RALEIGH					
SUBSTRUCTURE END BENT 1					
SHEET NO. 5-151					
TOTAL SHEETS 312					
REVISIONS					
NO.	BY:	DATE:	NO.	BY:	DATE:
1			3		
2			4		

DRAWN BY: S. M. RASHIDI DATE: 7/18/02
CHECKED BY: K. P. SEDAT DATE: 8/8/02