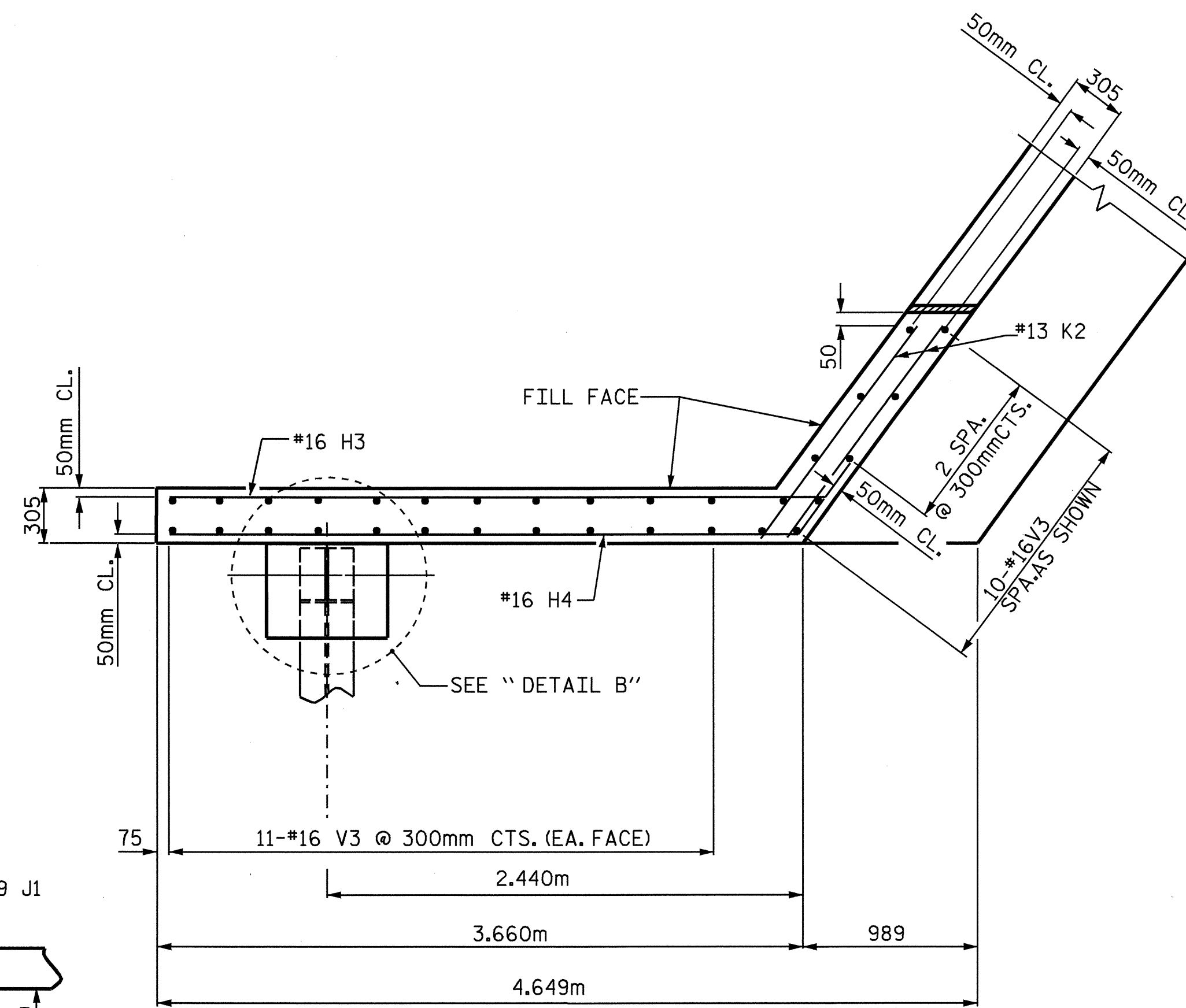
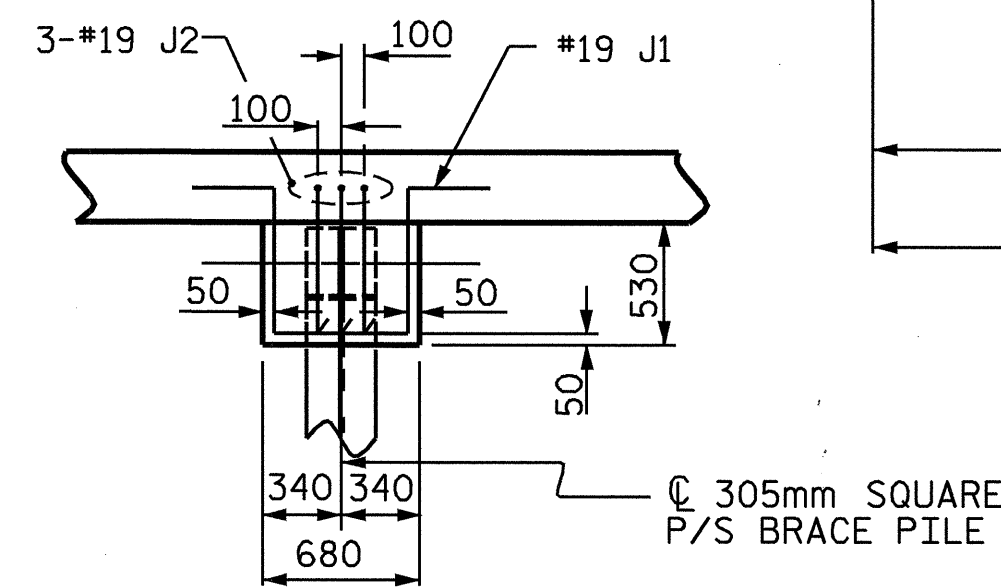


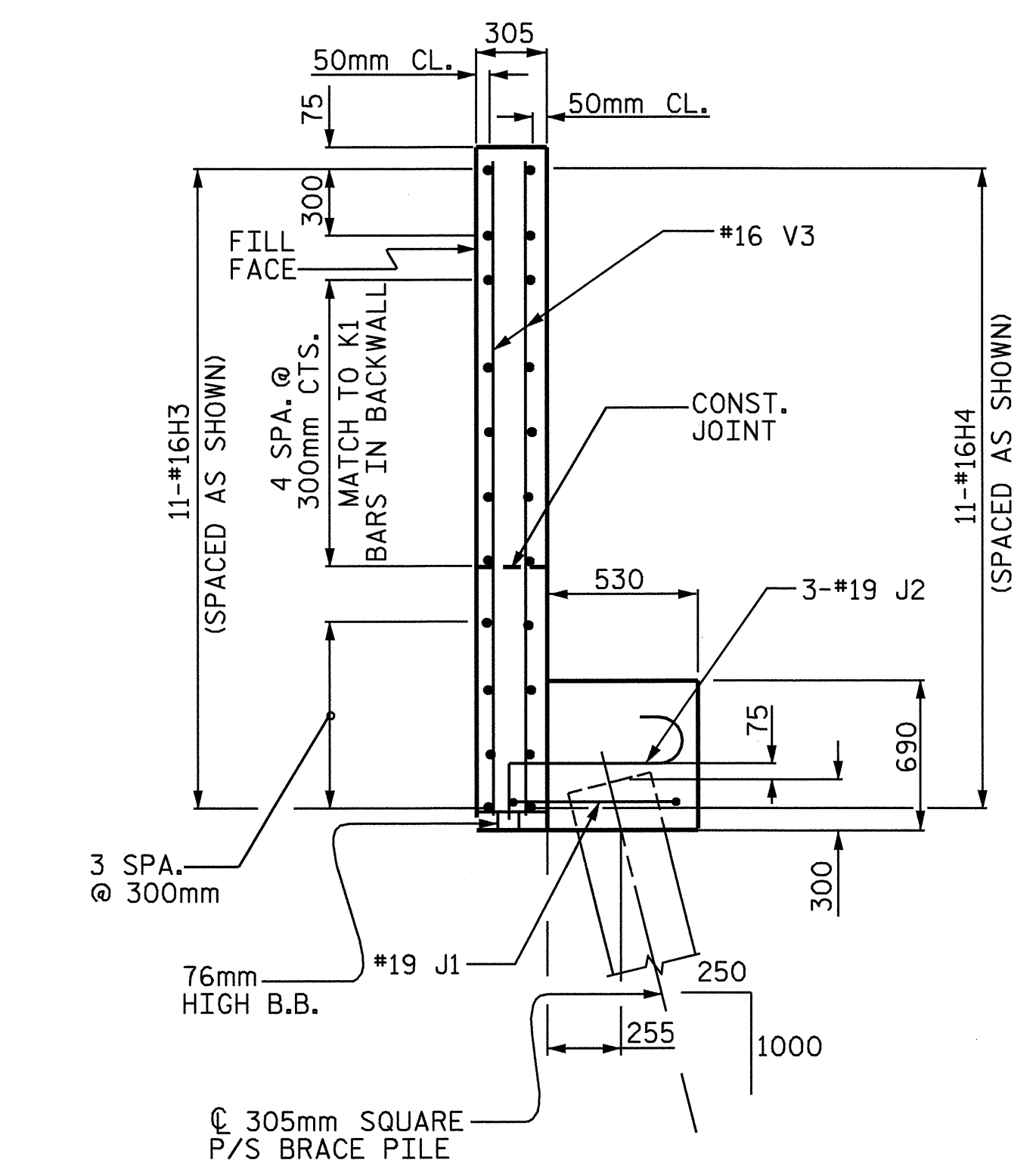
PLAN OF WING - W1



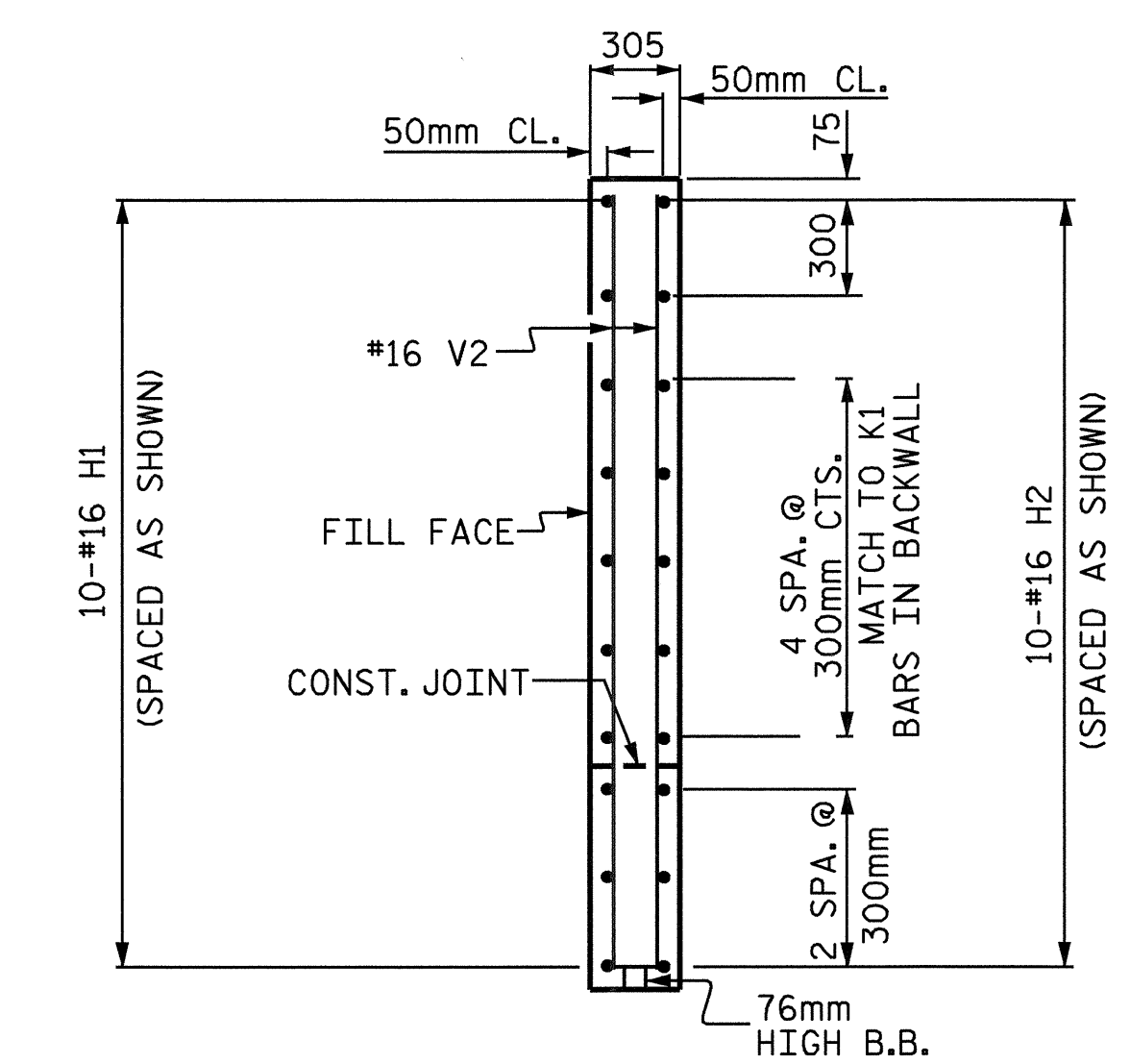
PLAN OF WING - W2



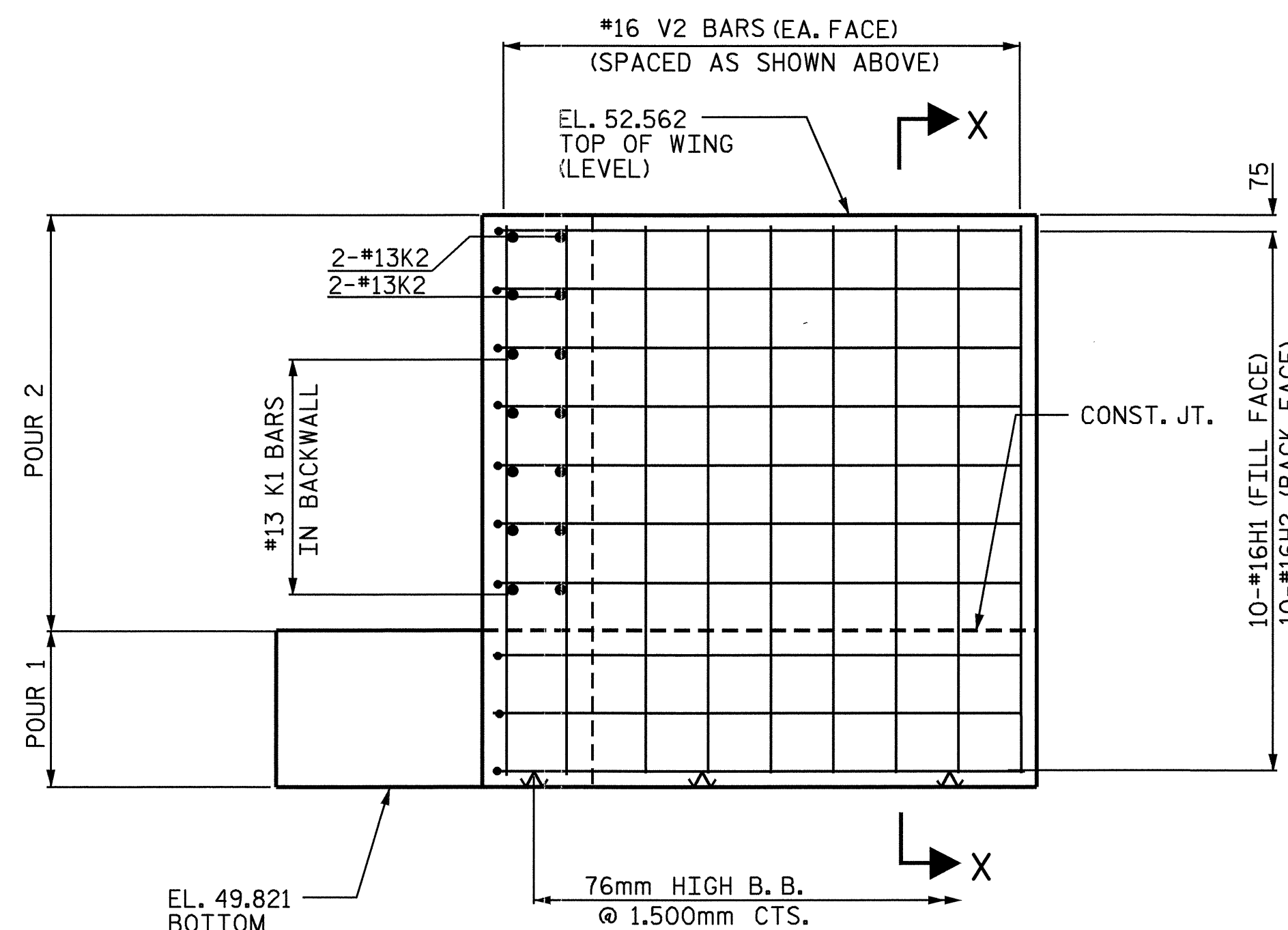
DETAIL B



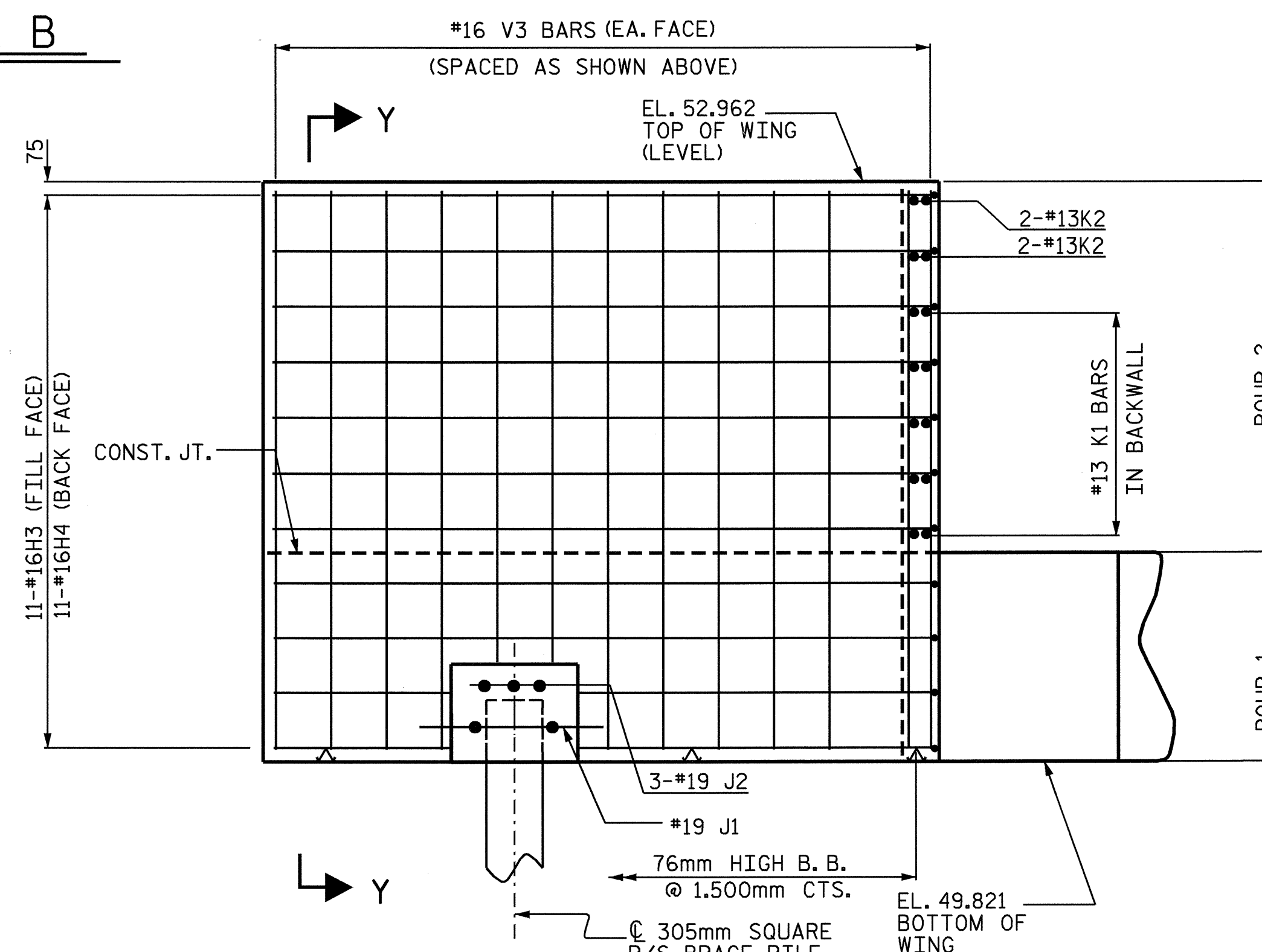
SECTION Y-Y



SECTION X-X



ELEVATION OF WING - W1



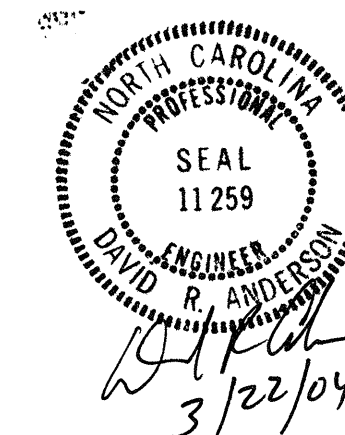
ELEVATION OF WING - W2

PROJECT NO. R-513C
 ROBESON COUNTY
 STATION: 277+68.339 -L-

SHEET 2 OF 3

STATE OF NORTH CAROLINA
 DEPARTMENT OF TRANSPORTATION
 RALEIGH

SUBSTRUCTURE
 END BENT 1



REVISIONS						SHEET NO.	
NO.	BY:	DATE:	NO.	BY:	DATE:	5-152	
1			3			TOTAL SHEETS 312	
2			4				

DRAWN BY: S. M. RASHIDI DATE: 9/28/01
 CHECKED BY: K. P. SEDA DATE: 8/9/02