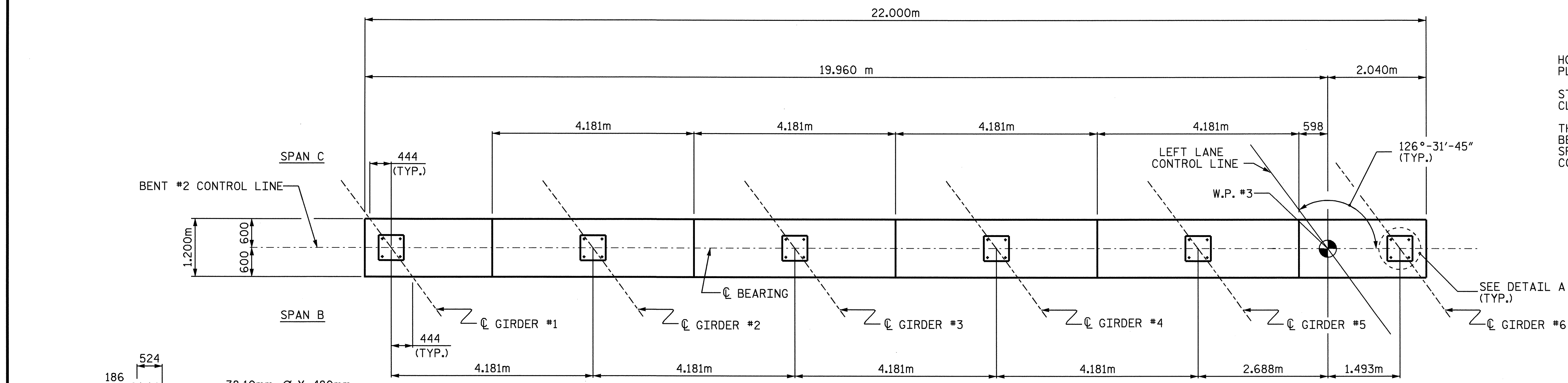
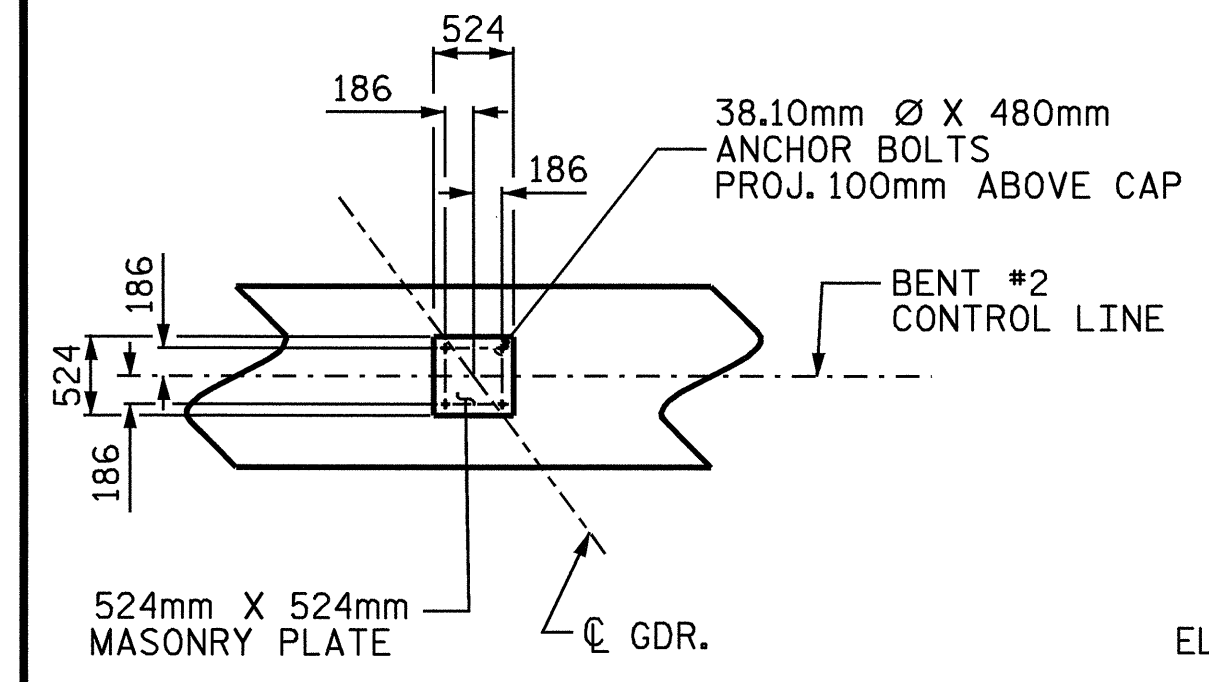


NOTE

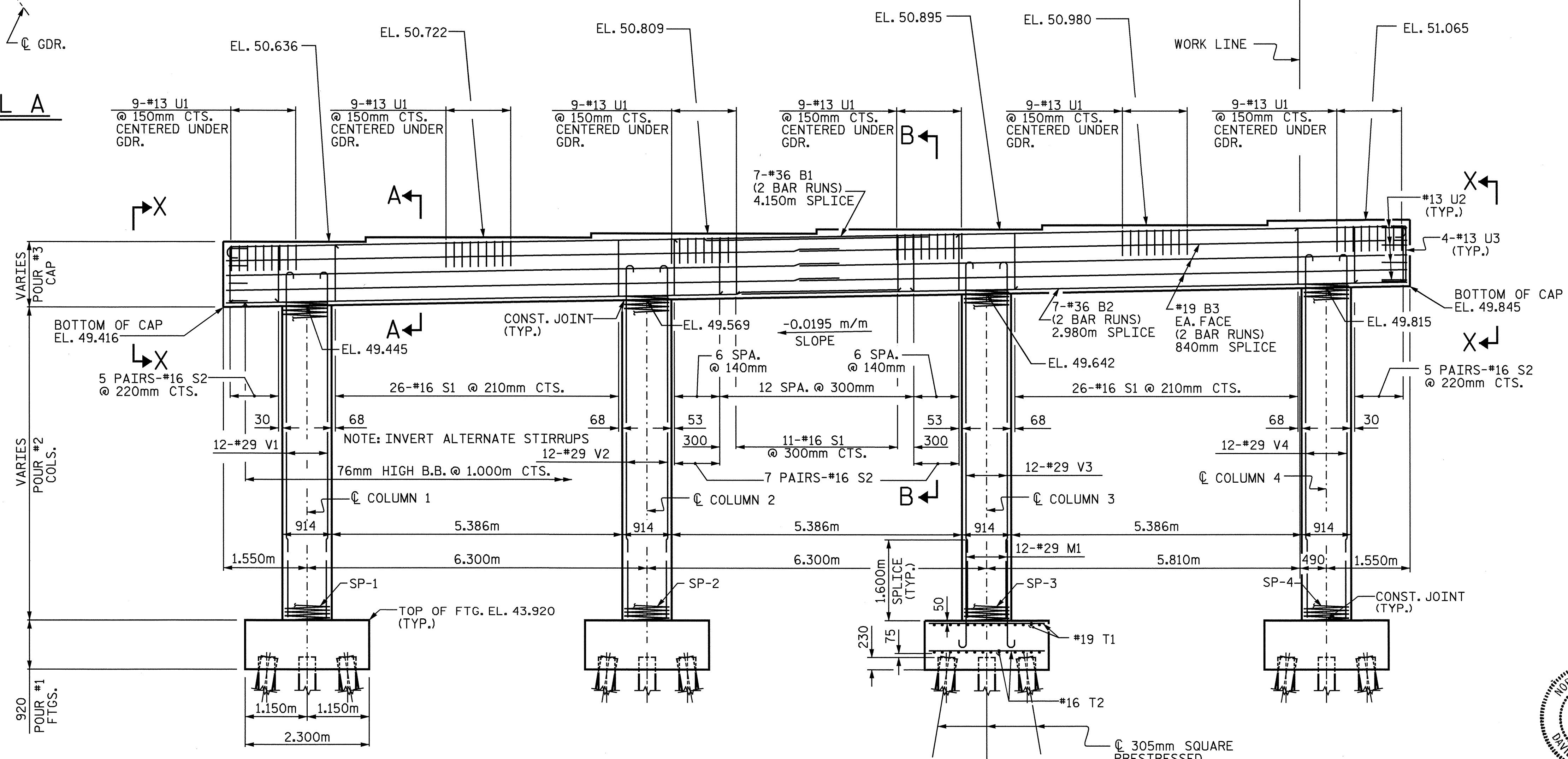
HOOKS ON V1 BARS MAY BE TURNED AS NECESSARY FOR PLACING REINFORCING STEEL.
STIRRUPS IN CAP MAY BE SHIFTED AS NECESSARY TO CLEAR ANCHOR BOLTS.
THE TOP SURFACE AREAS OF THE BENT CAP SHALL BE CURED IN ACCORDANCE WITH THE STANDARD SPECIFICATIONS EXCEPT THAT THE MEMBRANE CURING COMPOUND METHOD SHALL NOT BE USED.



PLAN

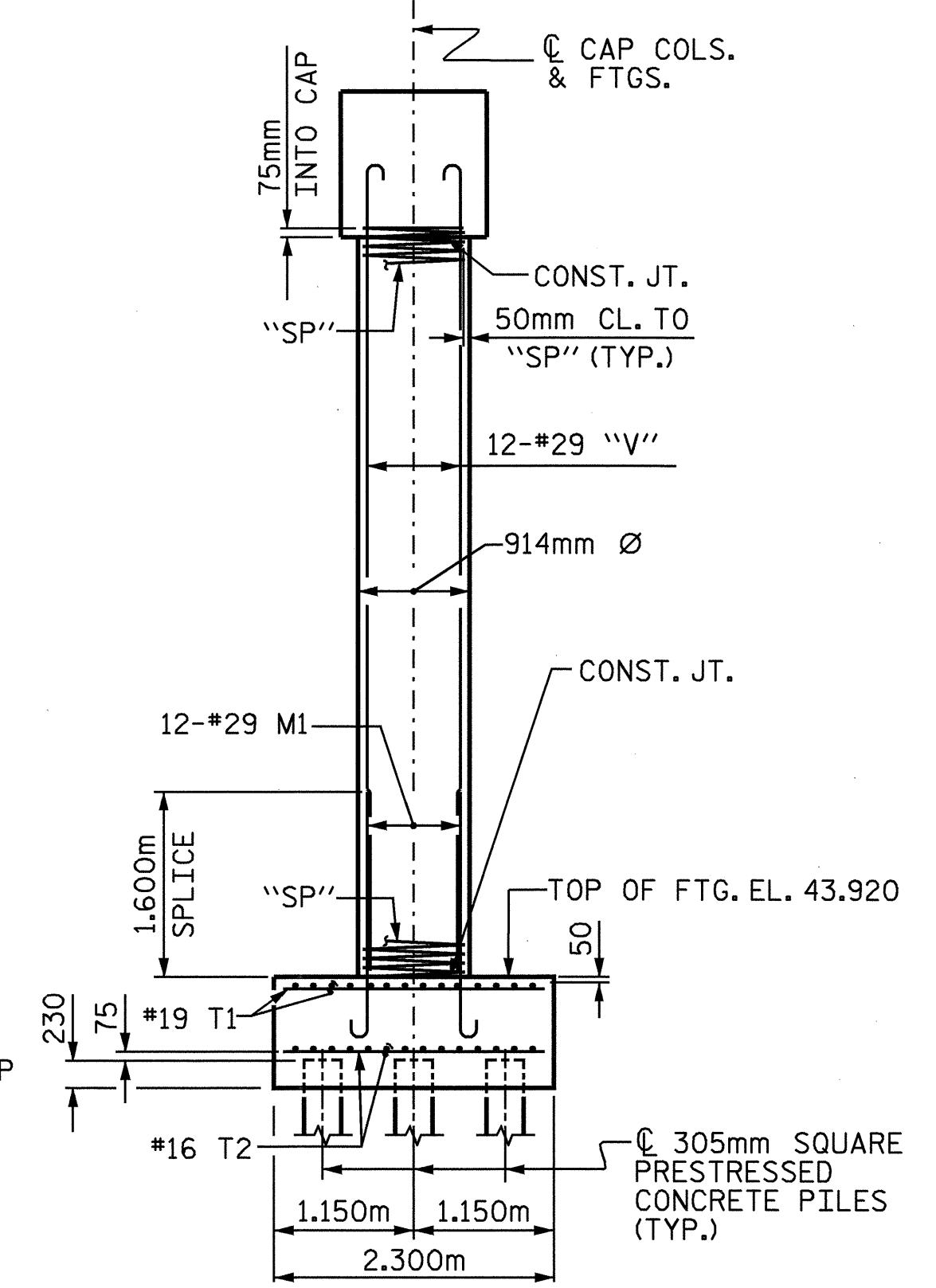


DETAIL A



ELEVATION

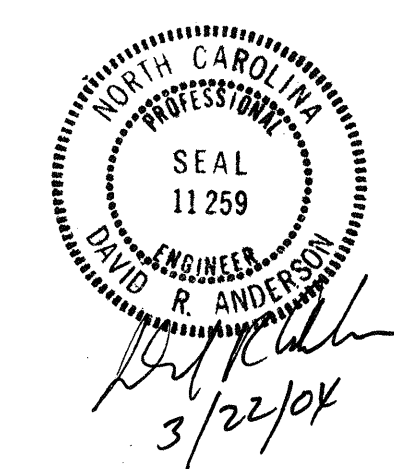
COLUMN & FOOTING 3 IS TYPICAL



END ELEVATION

PROJECT NO. R-513C
ROBESON COUNTY
STATION: 277+68.339 -L-

SHEET 1 OF 2



STATE OF NORTH CAROLINA
DEPARTMENT OF TRANSPORTATION
RALEIGH

SUBSTRUCTURE
BENT #2

REVISIONS						SHEET NO.	
NO.	BY:	DATE:	NO.	BY:	DATE:	TOTAL SHEETS	
1			3			1	312
2			4				

DRAWN BY: S. M. RASHIDI DATE: 5/03/02
CHECKED BY: N. TRAN DATE: 11/21/02