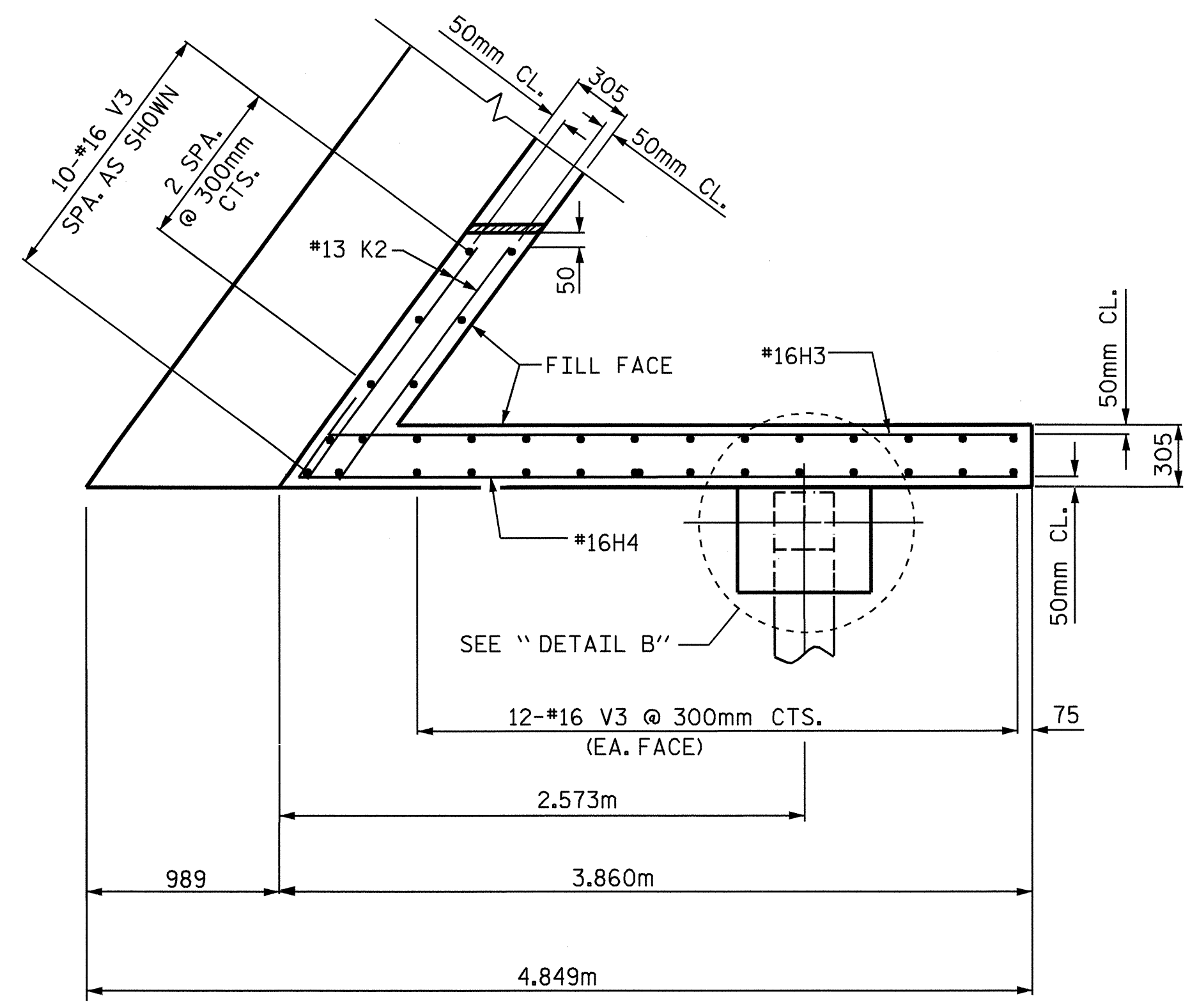
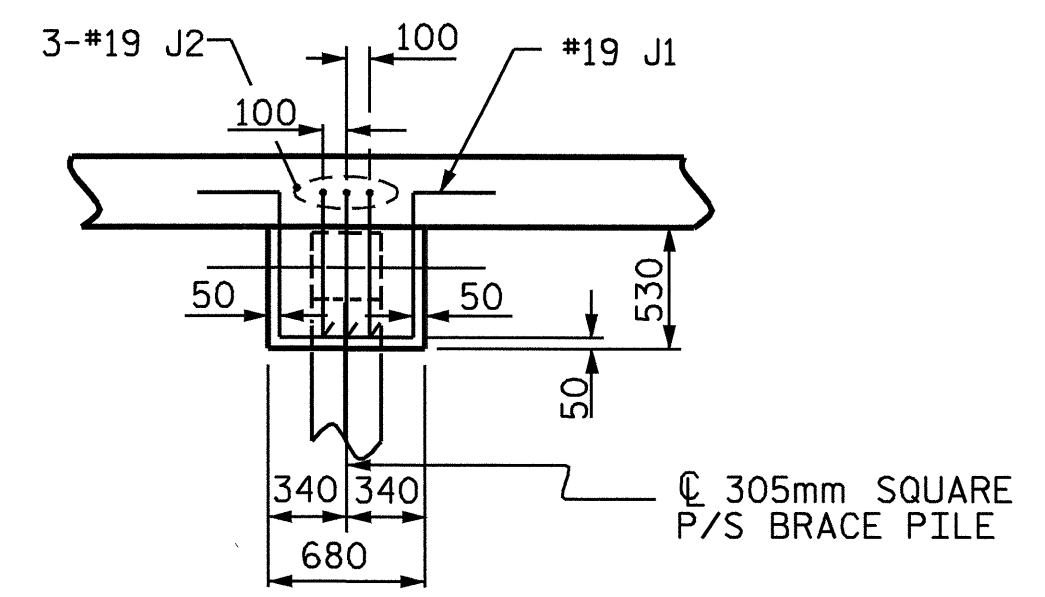


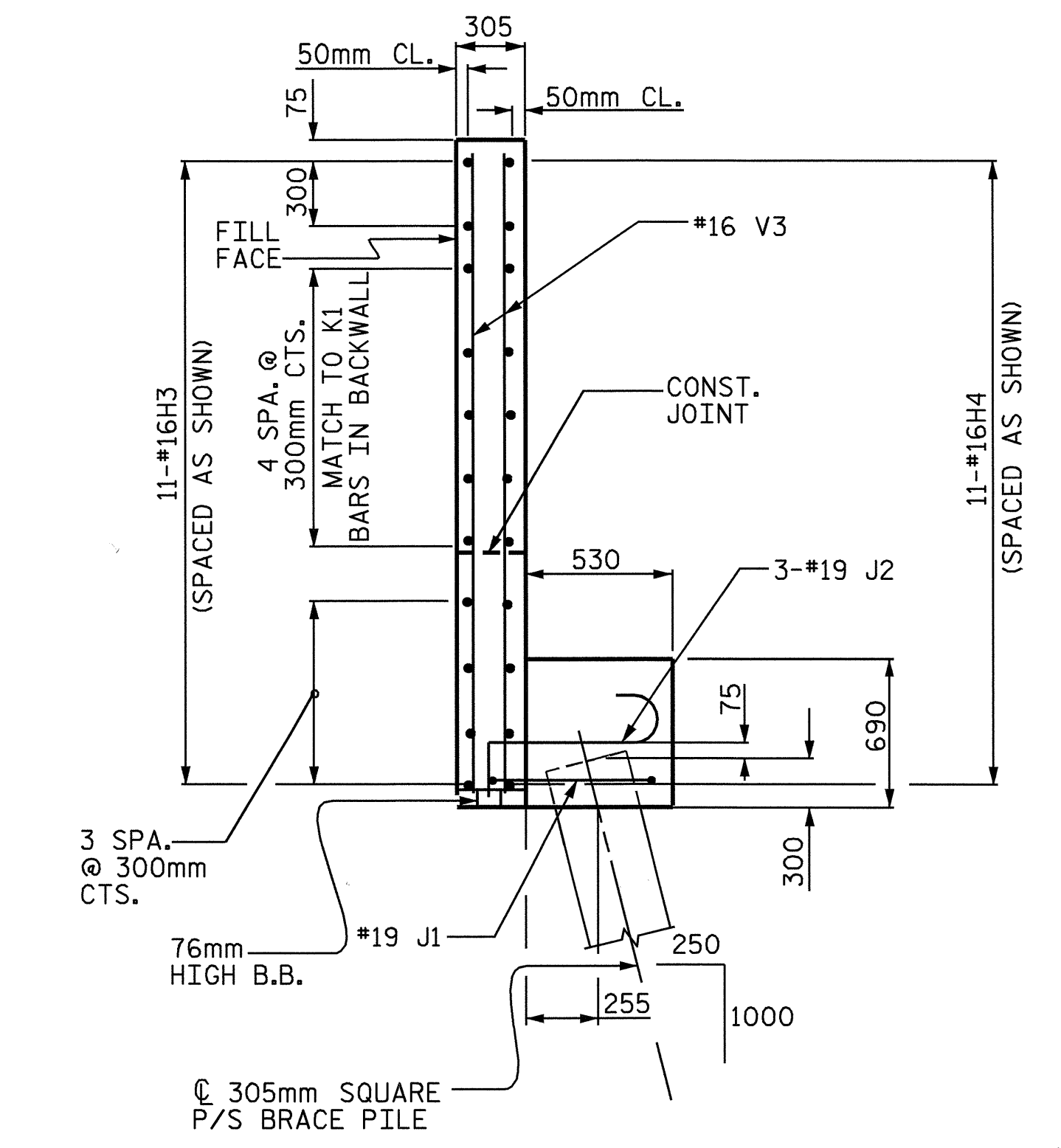
PLAN OF WING - W1



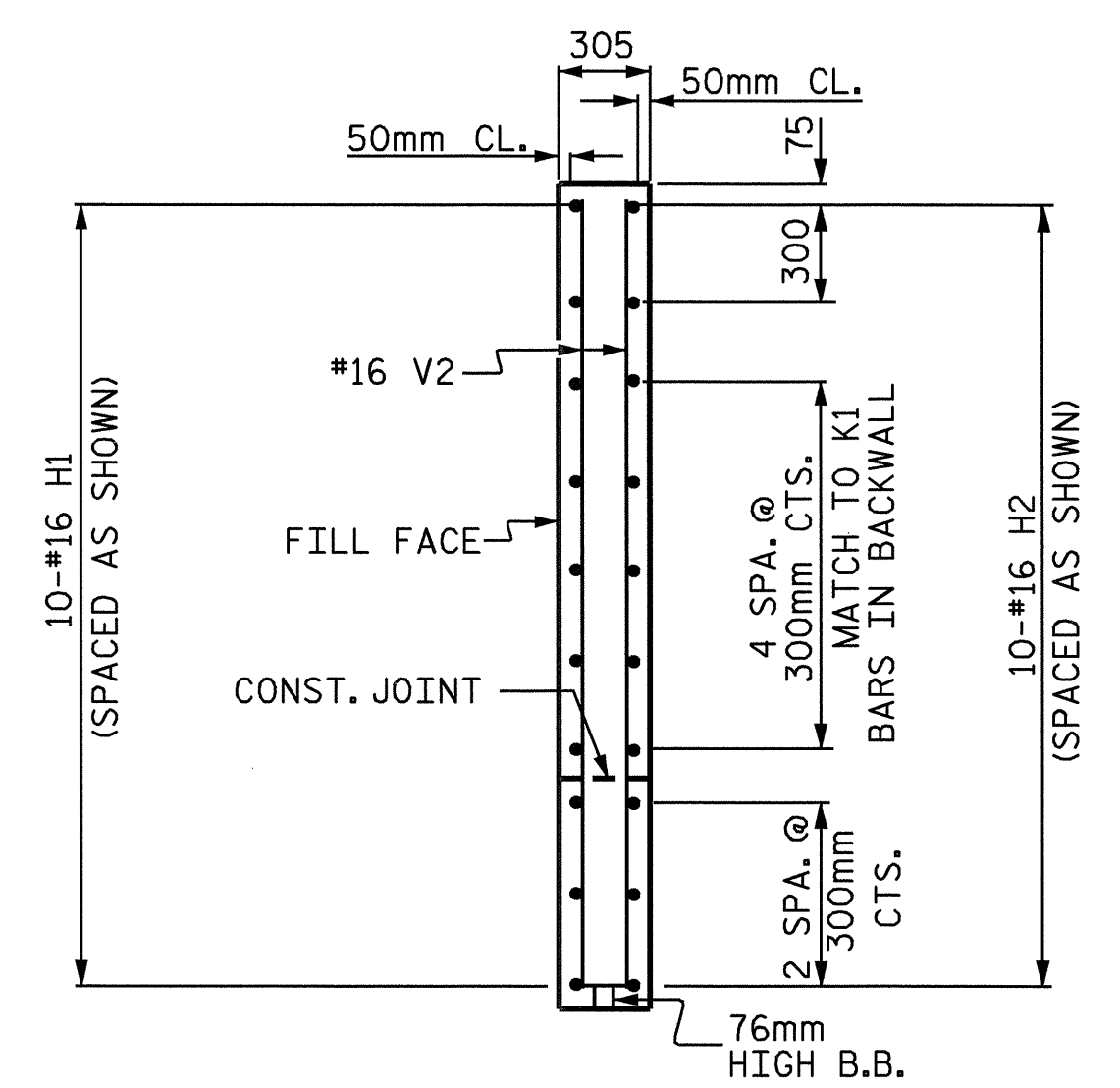
PLAN OF WING - W2



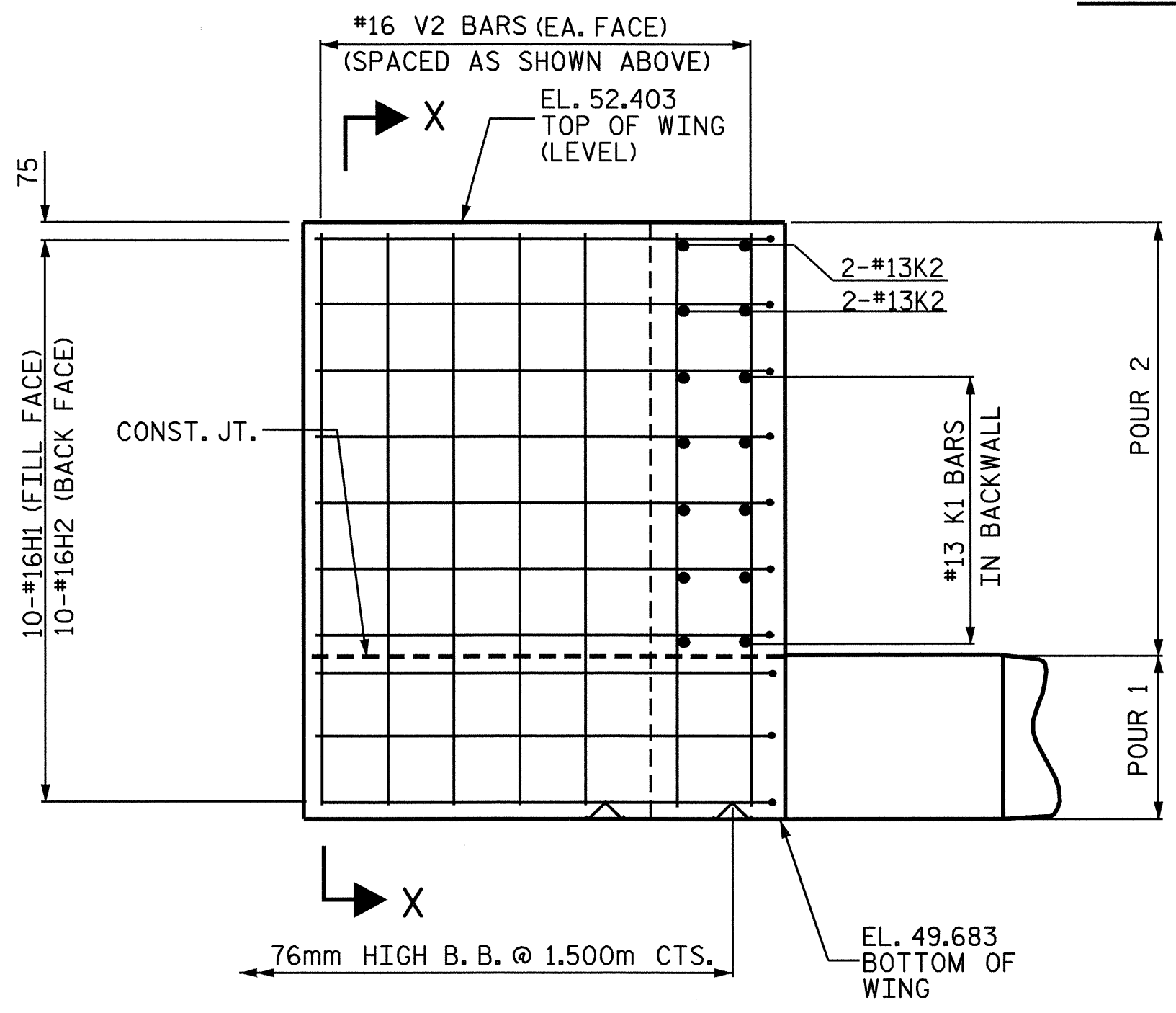
DETAIL B



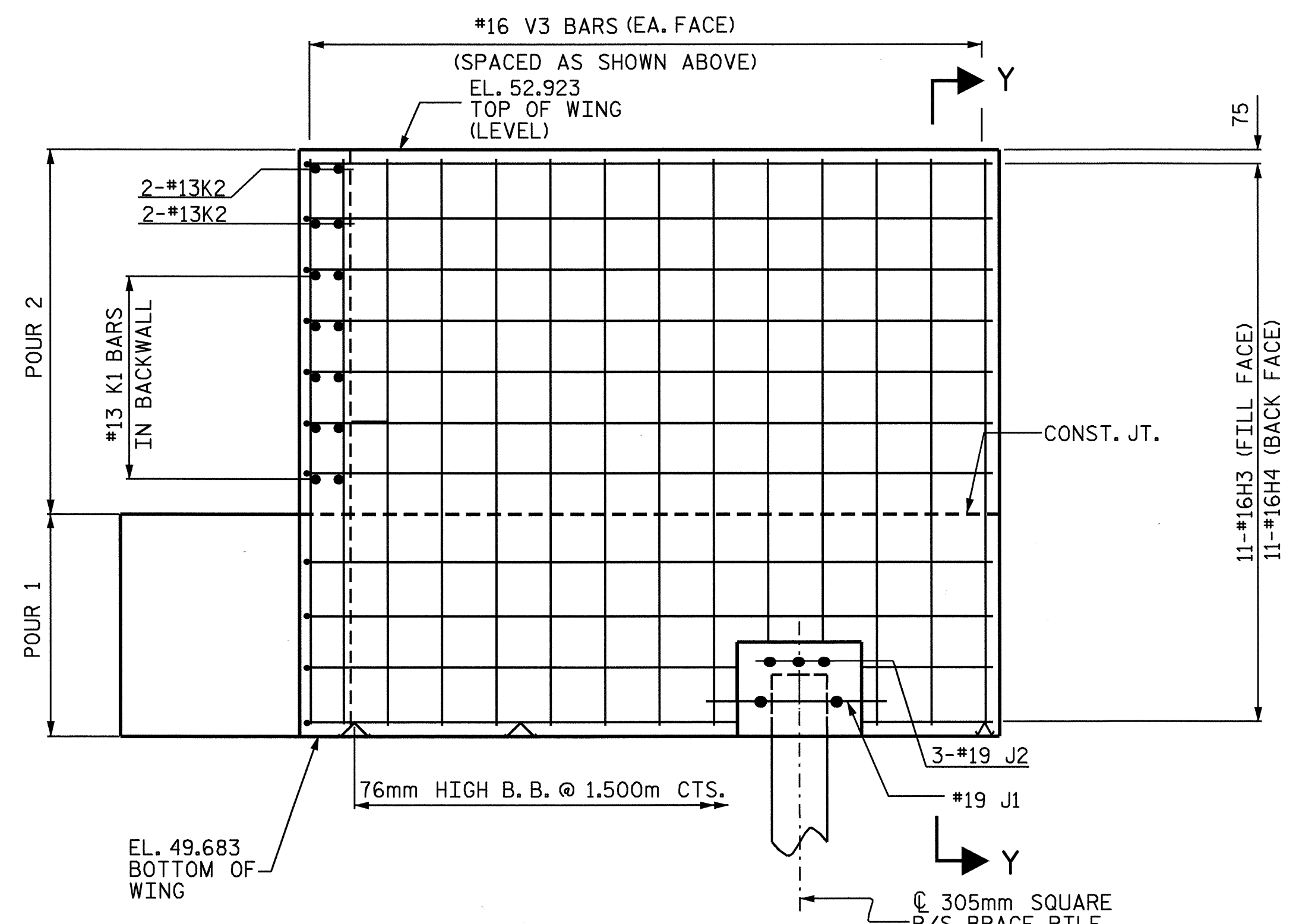
SECTION Y-Y



SECTION X-X



ELEVATION OF WING - W1



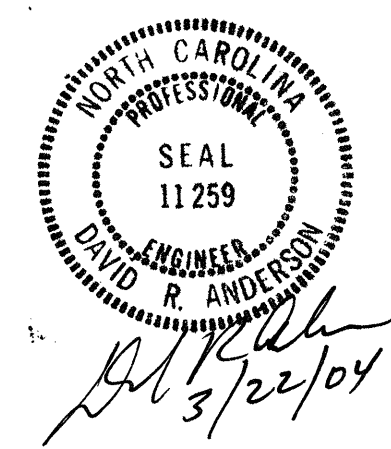
ELEVATION OF WING - W2

PROJECT NO. R-513C
 ROBESON COUNTY
 STATION: 277+68.339 -L-

SHEET 2 OF 3

STATE OF NORTH CAROLINA
 DEPARTMENT OF TRANSPORTATION
 RALEIGH

SUBSTRUCTURE
 END BENT 2



REVISIONS					SHEET NO.
NO.	BY:	DATE:	NO.	DATE:	
1			3		5-161
2			4		TOTAL SHEETS 312

DRAWN BY: S. M. RASHIDI DATE: 9/28/01
 CHECKED BY: K. P. SEDAI DATE: 8/12/02