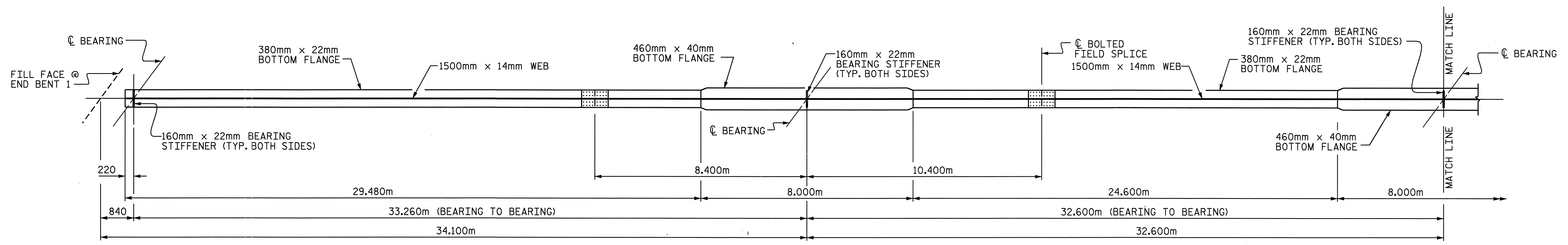
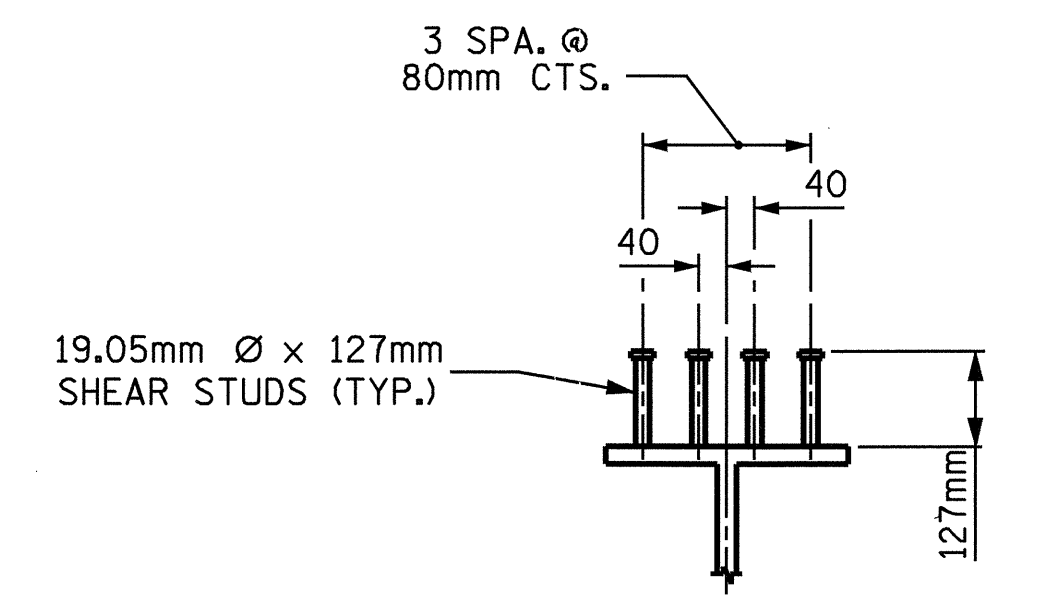


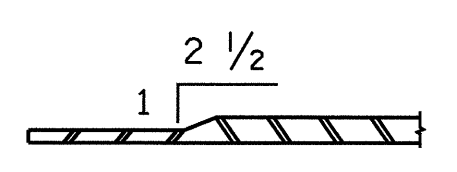
**PLATE GIRDER ELEVATION**  
STUDS ON BOLTED FIELD SPLICE TOP PLATE NOT SHOWN



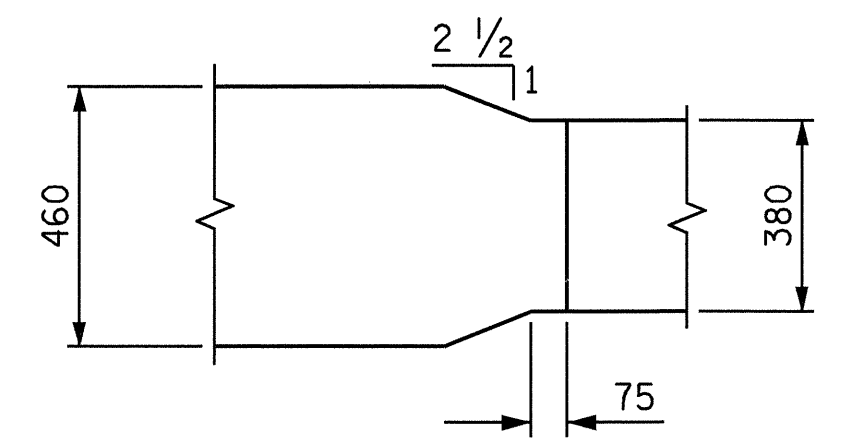
**BOTTOM FLANGE DETAIL**



**SHEAR STUD DETAILS**  
(TYP.)



**SECTION THRU FLANGE**  
(TYP.)



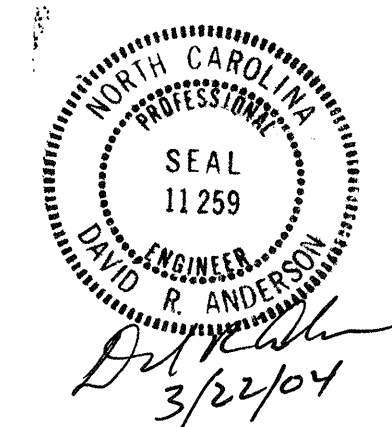
**PLAN - FLANGE SPLICE**  
(TYP.)

PROJECT NO. R-513C  
ROBESON COUNTY  
STATION: 277+68.339 -L-

SHEET 1 OR 4

STATE OF NORTH CAROLINA  
DEPARTMENT OF TRANSPORTATION  
RALEIGH

**SUPERSTRUCTURE**  
**STRUCTURAL STEEL**  
**(RIGHT LANE)**



REVISIONS				SHEET NO.
NO.	BY:	DATE:	NO.	DATE:
1			3	
2			4	

TOTAL SHEETS: 312

DRAWN BY: I.A. WALTER DATE: 6/6/01  
CHECKED BY: N.Q. TRAN DATE: 11/1/02