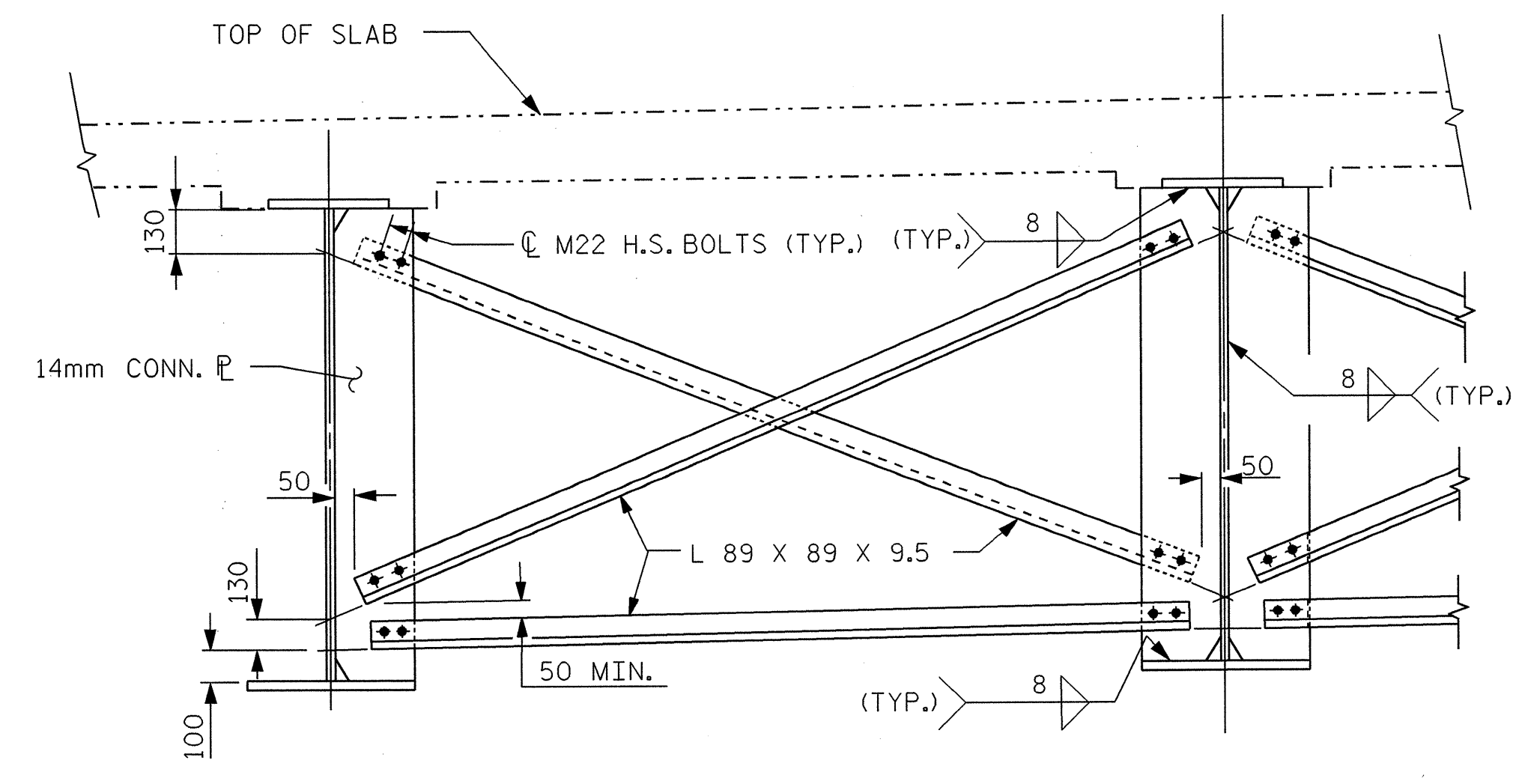
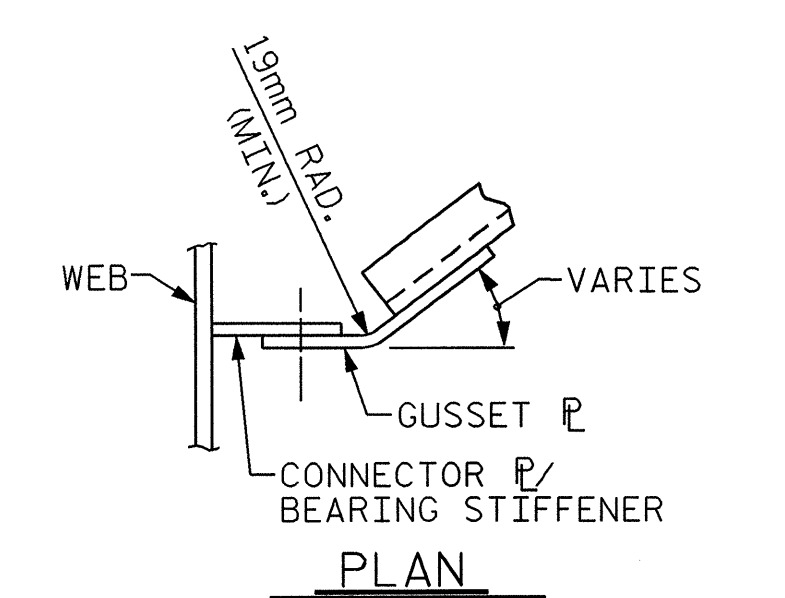


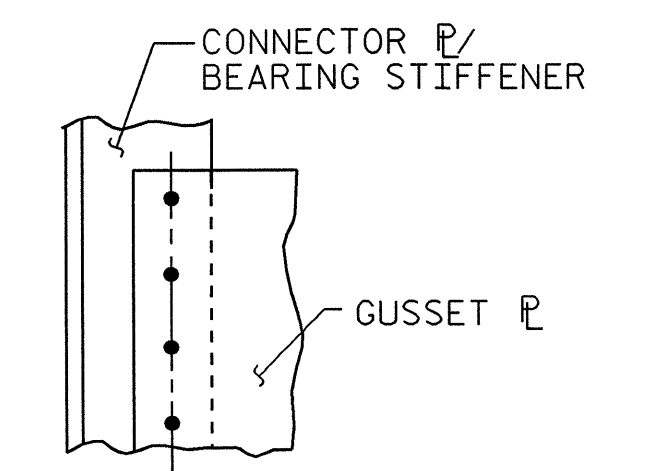
END BENTS 1 & 2 DIAPHRAGM (D1)



BENT & INTERMEDIATE DIAPHRAGM (D2)

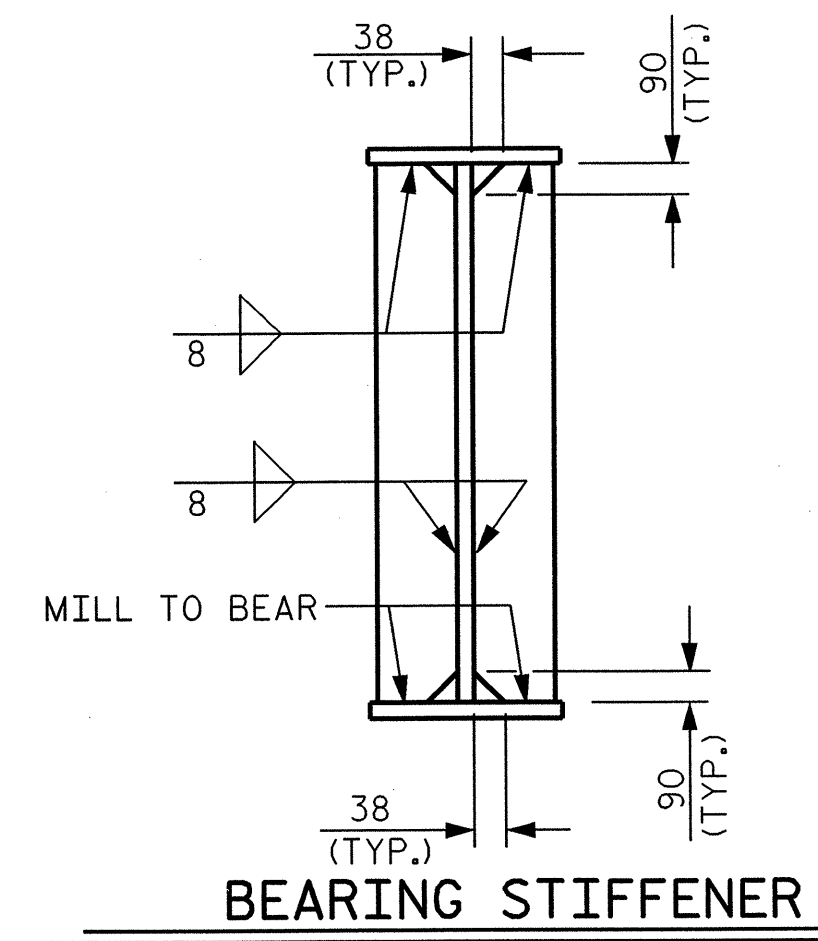


PLAN

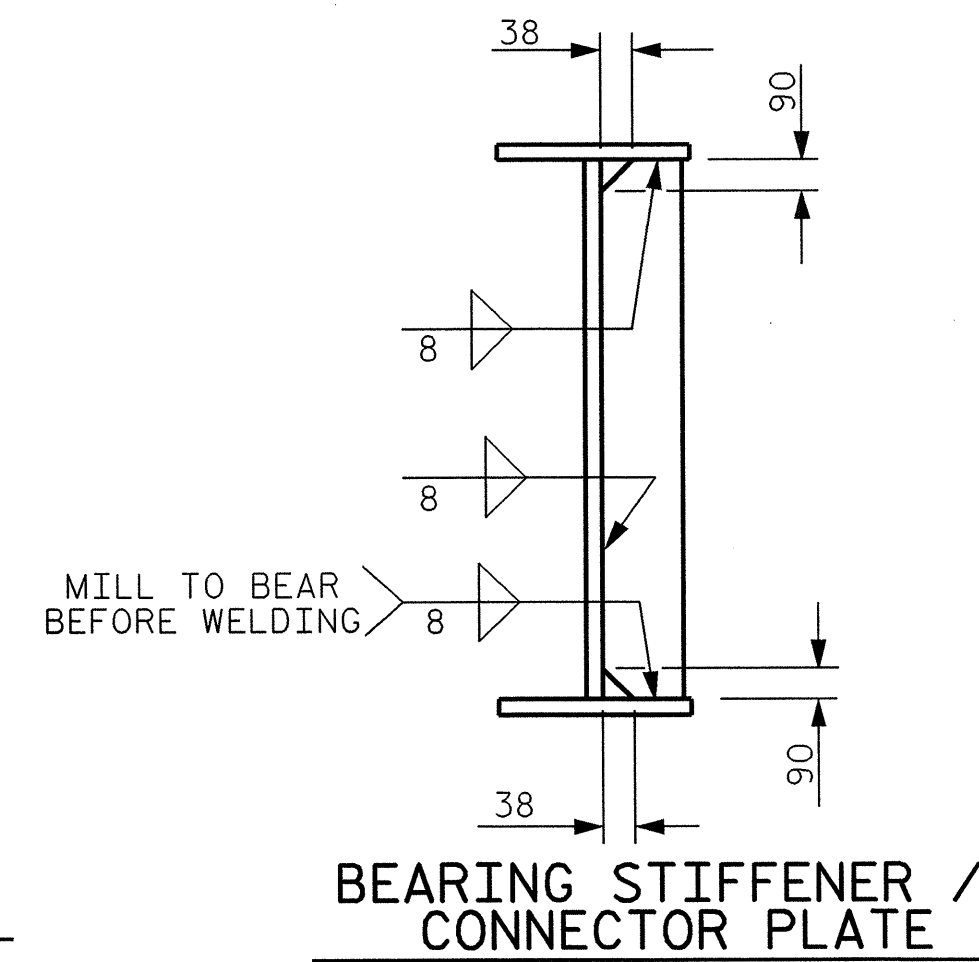


ELEVATION

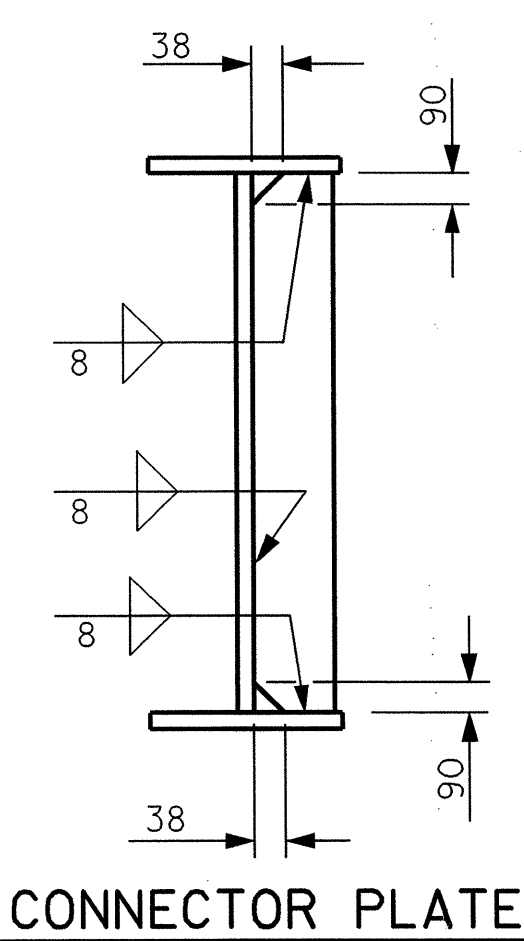
GUSSET PLATE DETAILS



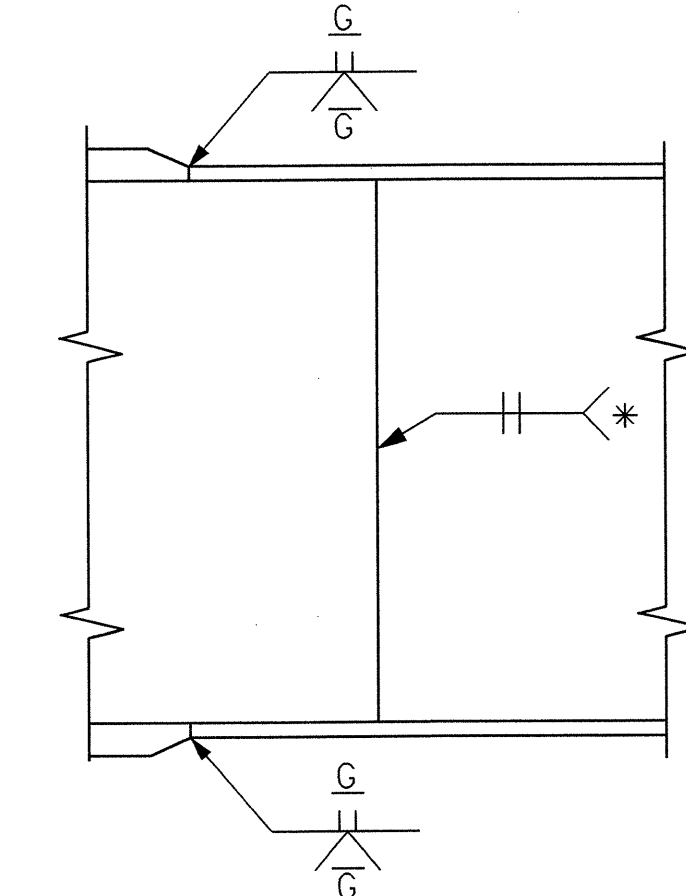
BEARING STIFFENER



BEARING STIFFENER /
CONNECTOR PLATE

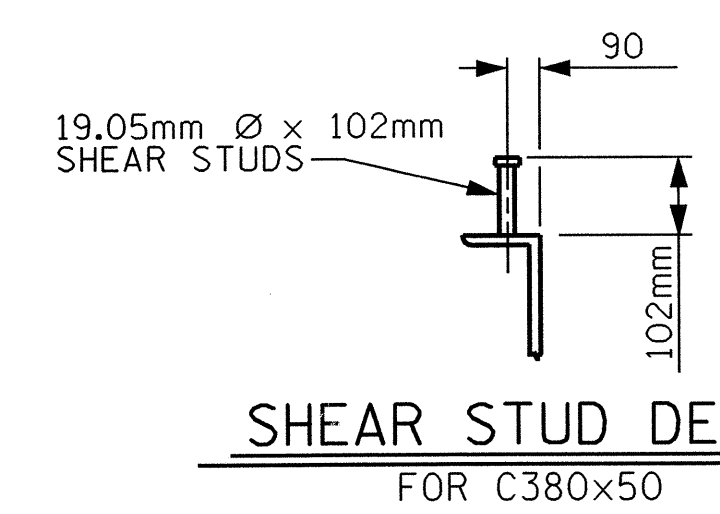


CONNECTOR PLATE

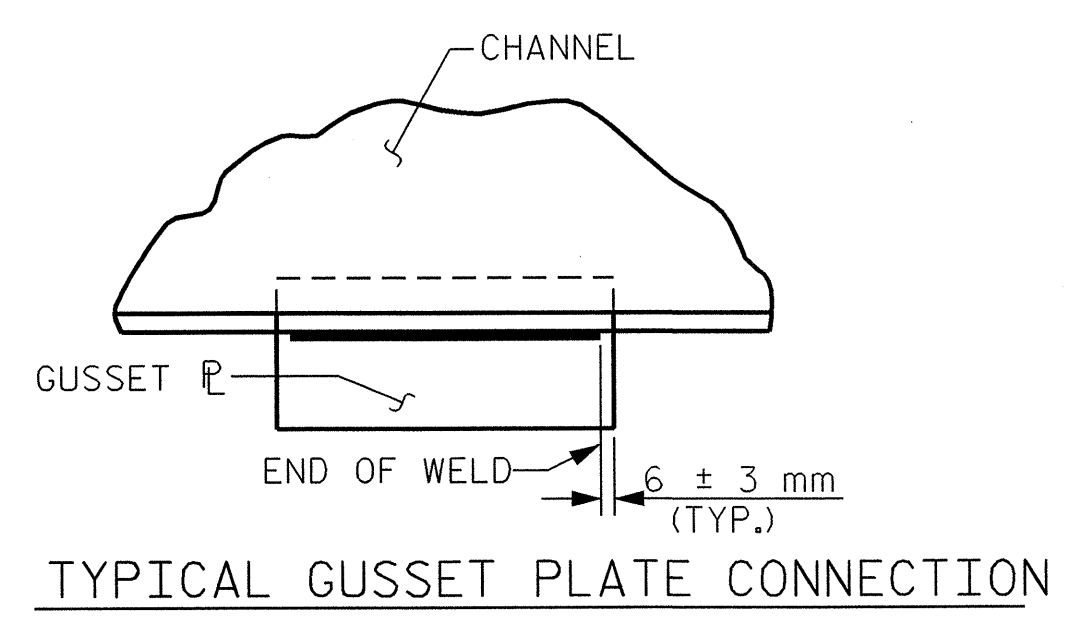


PERMISSIBLE SHOP WEB SPLICE

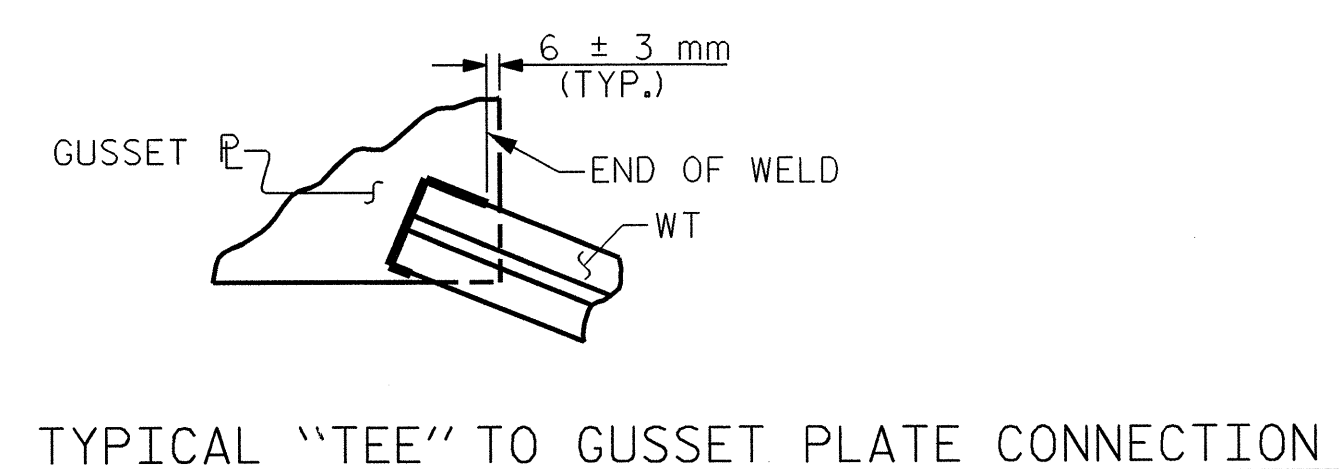
* GRIND SMOOTH AND FLUSH ON OUTSIDE OF EXTERIOR GIRDERS



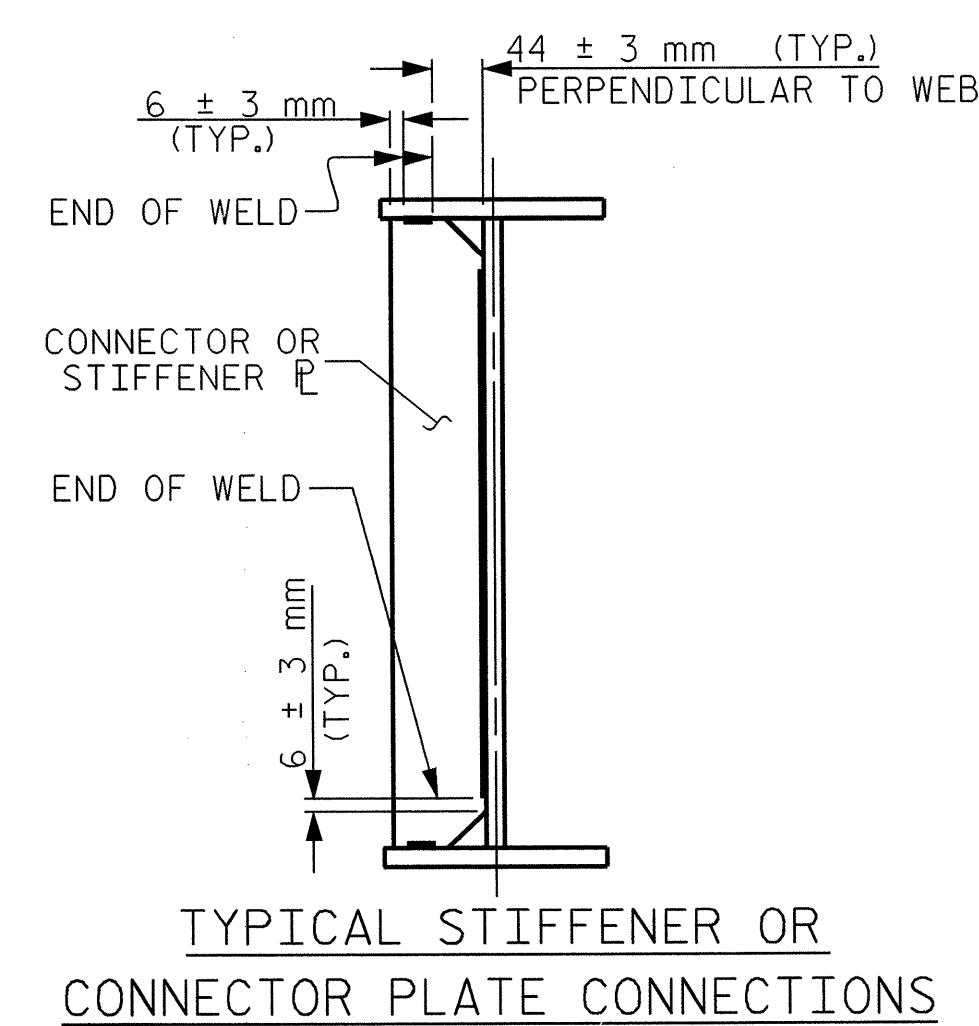
SHEAR STUD DETAIL
FOR C380x50



TYPICAL GUSSET PLATE CONNECTION



TYPICAL "TEE" TO GUSSET PLATE CONNECTION



TYPICAL STIFFENER OR
CONNECTOR PLATE CONNECTIONS

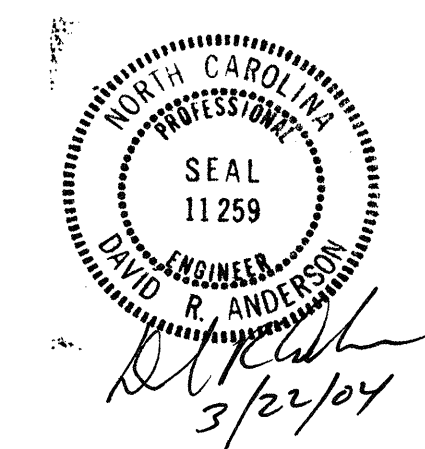
WELD TERMINATION DETAILS

PROJECT NO. R-513C
ROBESON COUNTY
 STATION: 277+68.339 -L-

SHEET 3 OF 4

STATE OF NORTH CAROLINA
 DEPARTMENT OF TRANSPORTATION
 RALEIGH

 SUPERSTRUCTURE
 STRUCTURAL STEEL
 (RIGHT LANE)



REVISIONS						SHEET NO.
NO.	BY:	DATE:	NO.	BY:	DATE:	5-179
1			3			TOTAL SHEETS
2			4			312

DRAWN BY: T.A. WALTER DATE: 6/6/01
 CHECKED BY: N.O. TRAN DATE: 11/1/02