

NOTES

ALL STRUCTURAL STEEL SHALL BE AASHTO M270 GRADE 345W STEEL AND PAINTED IN ACCORDANCE WITH SYSTEM 4 OF ARTICLE 442-7 OF THE STANDARD SPECIFICATIONS UNLESS OTHERWISE NOTED ON THE PLANS.

ALL DIMENSIONS SHOWN ARE HORIZONTAL OR VERTICAL, UNLESS OTHERWISE NOTED.

ALL FIELD CONNECTIONS TO BE 22.23mm DIA. HIGH STRENGTH BOLTS UNLESS OTHERWISE NOTED.

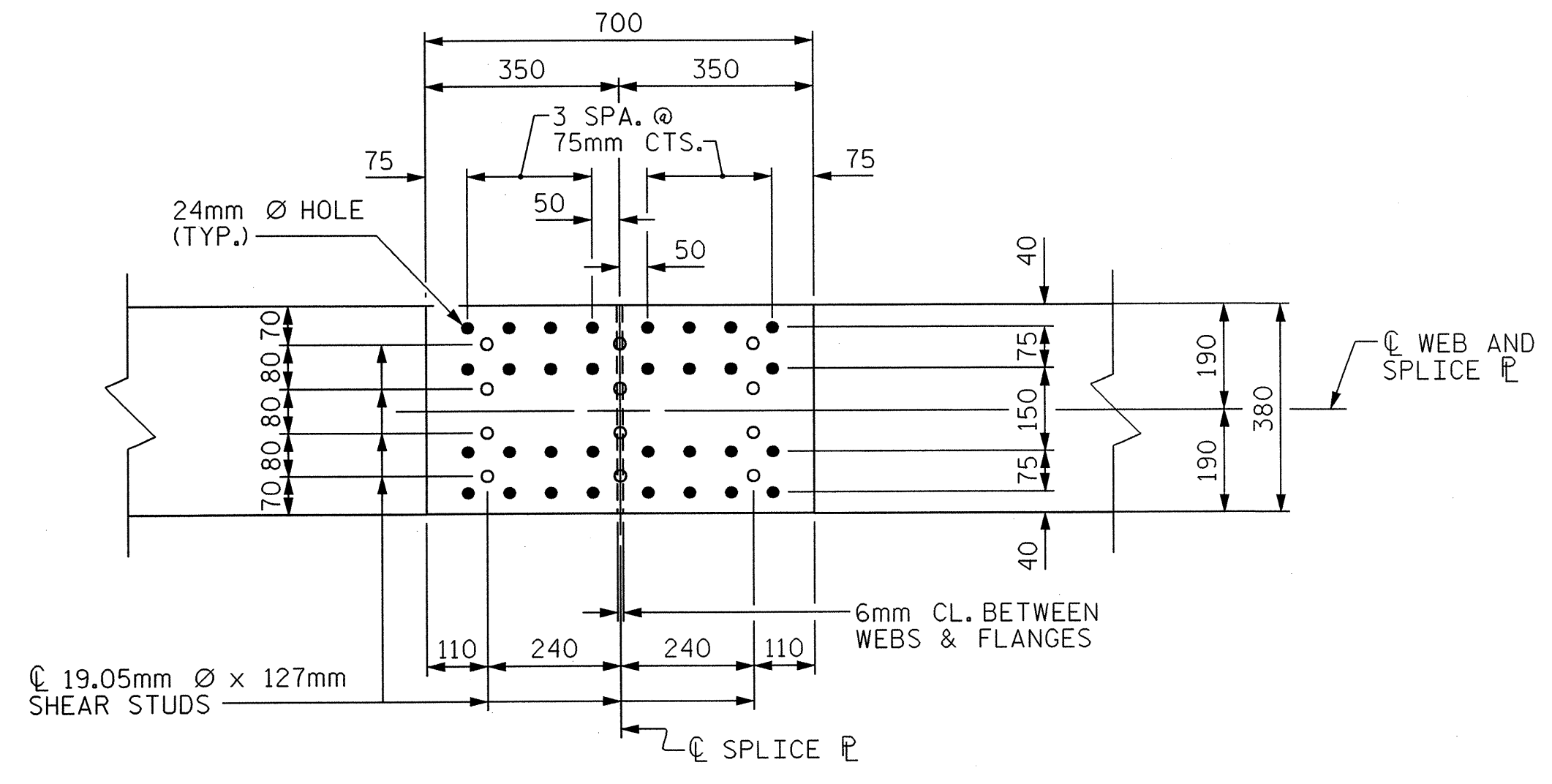
TENSION ON THE AASHTO M164M BOLTS SHALL BE CALIBRATED USING DIRECT TENSION INDICATOR WASHERS IN ACCORDANCE WITH ARTICLE 440-10 OF THE STANDARD SPECIFICATIONS.

BEARING STIFFENERS ARE TO BE PLACED NORMAL TO THE WEB OF THE GIRDER AND SHALL BE PLUMB.

SHOP SPLICES ARE PERMITTED TO LIMIT THE MAXIMUM REQUIRED FLANGE PIECE LENGTHS TO 18 METERS AND WEB PIECE LENGTHS TO 14 METERS. PERMITTED FLANGE AND WEB SHOP SPLICES SHALL NOT BE LOCATED WITHIN 4.5 METERS OF MAXIMUM DEAD LOAD DEFLECTION (NOR WITHIN 4.5 METERS OF INTERMEDIATE BEARINGS OF CONTINUOUS UNITS). KEEP 600mm MINIMUM BETWEEN WEB AND FLANGE SHOP SPLICES. KEEP 150mm MINIMUM BETWEEN CONNECTOR PLATE OR TRANSVERSE STIFFENER WELDS AND WEB OR FLANGE SHOP SPLICES.

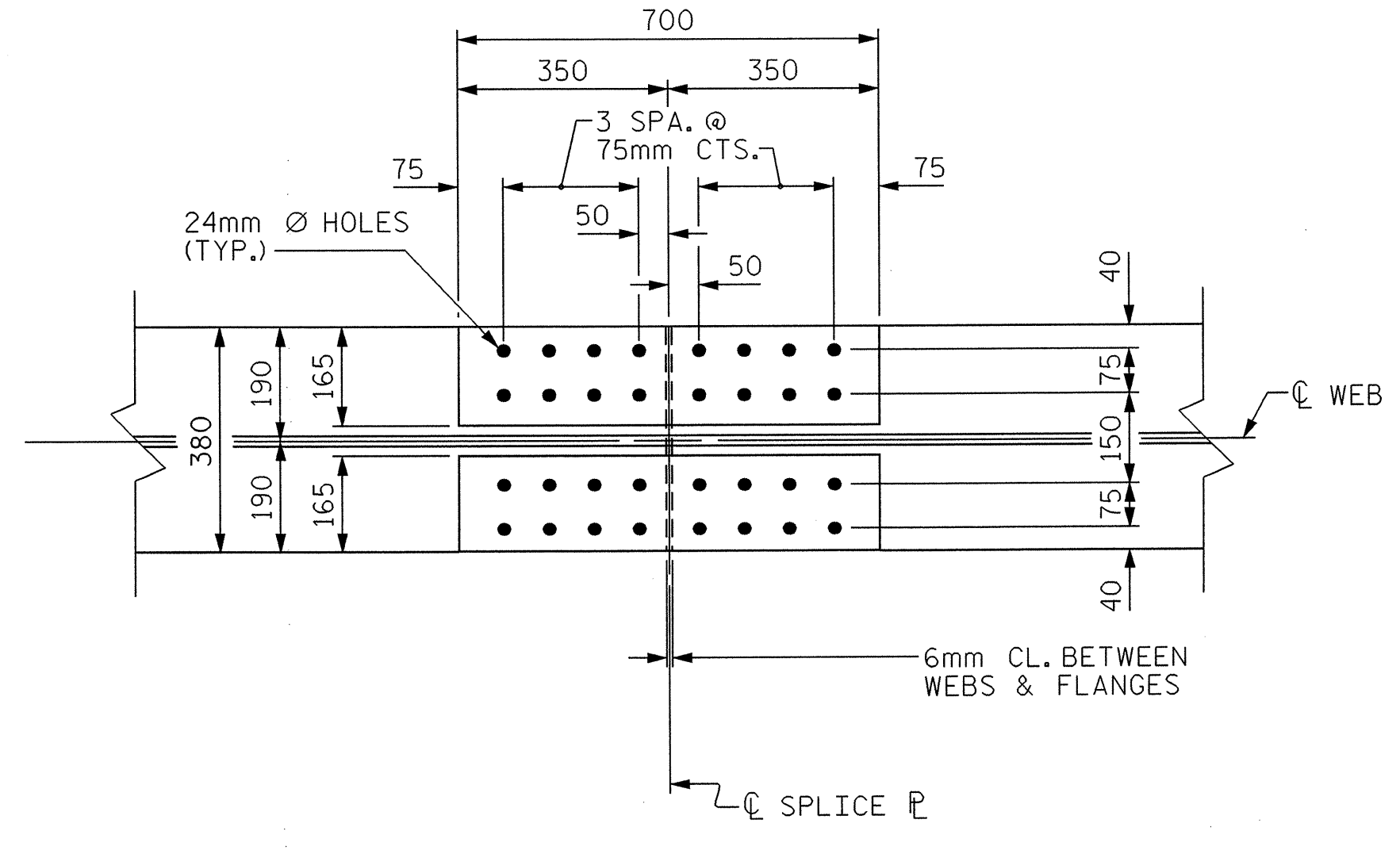
STUDS ON GIRDERS MAY BE SHIFTED UP TO 25mm IF NECESSARY TO CLEAR FLANGE SPLICE WELD.

ENDS OF GIRDERS SHALL BE PLUMB.



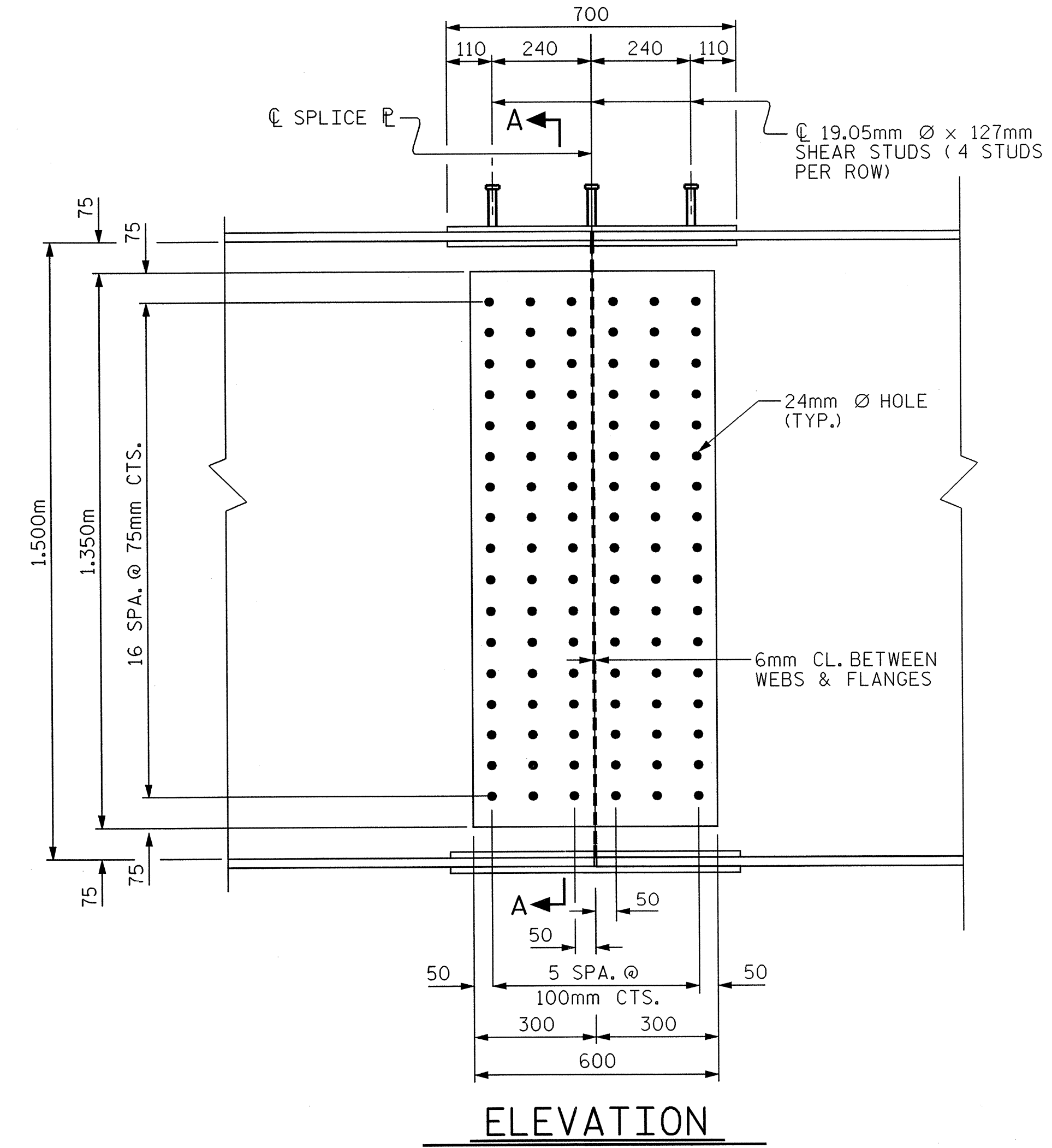
PLAN OF TOP FLANGE

TOP OF TOP FLANGE SHOWN
 BOTTOM PLATE FOR BOTTOM FLANGE SIMILAR EXCEPT WITHOUT SHEAR STUDS

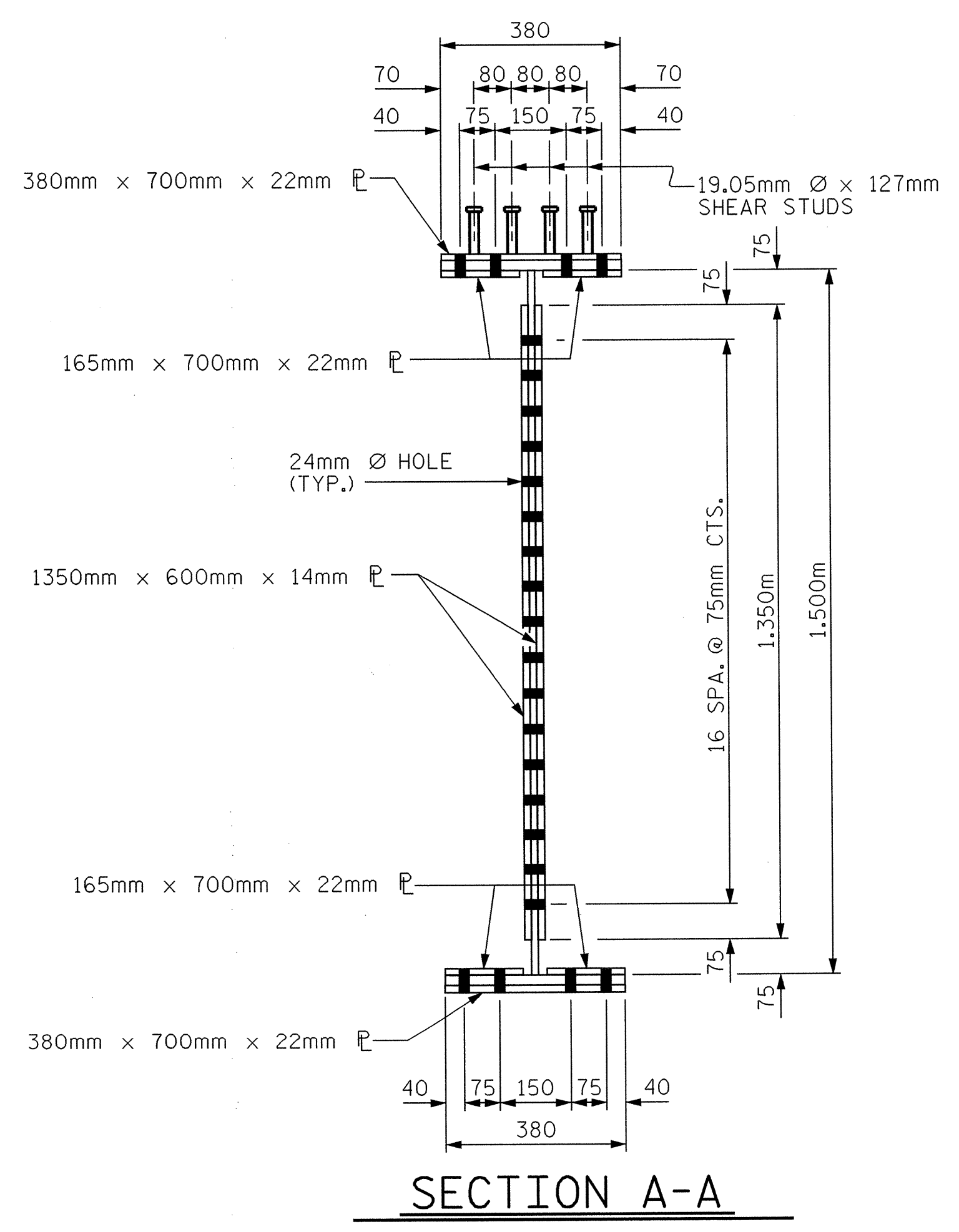


PLAN OF BOTTOM FLANGE

TOP OF BOTTOM FLANGE SHOWN
 BOTTOM PLATE FOR TOP FLANGE SAME



ELEVATION



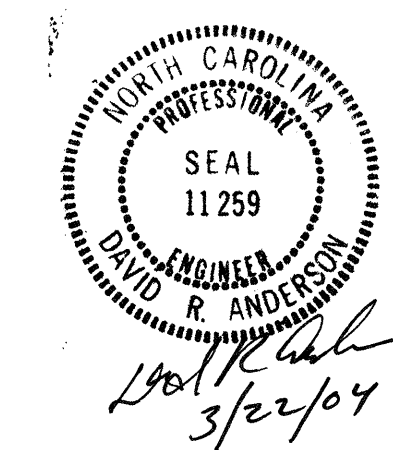
SECTION A-A

BOLTED FIELD SPLICE DETAILS

PROJECT NO. R-513C
ROBESON COUNTY
 STATION: 277+68.339 -L-

SHEET 4 OF 4

STATE OF NORTH CAROLINA DEPARTMENT OF TRANSPORTATION RALEIGH					
SUPERSTRUCTURE STRUCTURAL STEEL (RIGHT LANE)					
SHEET NO. 5-180					
TOTAL SHEETS 312					
REVISIONS					
NO.	BY:	DATE:	NO.	BY:	DATE:
1			3		
2			4		



DRAWN BY: T.A. WALTER DATE: 6/6/01
 CHECKED BY: N.Q. TRAN DATE: 11/1/02