

NOTES

FOR ELASTOMERIC BEARINGS, SEE SPECIAL PROVISIONS.
FOR AASHTO M270 GRADE 345W STRUCTURAL STEEL, SOLE PLATE SHALL BE AASHTO M270 GRADE 345W AND SHALL NOT BE GALVANIZED, ANCHOR BOLTS AND NUTS SHALL BE GALVANIZED IN ACCORDANCE WITH THE STANDARD SPECIFICATIONS.

ANCHOR BOLTS SHALL MEET THE REQUIREMENTS OF ASTM A449. NUTS SHALL MEET THE REQUIREMENTS OF AASHTO M291M-12 OR AASHTO M292M-2H. WASHERS SHALL MEET THE REQUIREMENTS OF AASHTO M293M. SHOP DRAWINGS ARE NOT REQUIRED FOR ANCHOR BOLTS, NUTS AND WASHERS. SHOP INSPECTION IS REQUIRED.

WHEN FIELD WELDING THE SOLE PLATE TO THE GIRDER FLANGE, USE TEMPERATURE INDICATING WAX PENS, OR OTHER SUITABLE MEANS, TO ENSURE THAT THE TEMPERATURE OF THE SOLE PLATE DOES NOT EXCEED 149°C. TEMPERATURES ABOVE THIS MAY DAMAGE THE ELASTOMER.

ALL SURFACES OF BEARING PLATES SHALL BE SMOOTH AND STRAIGHT.

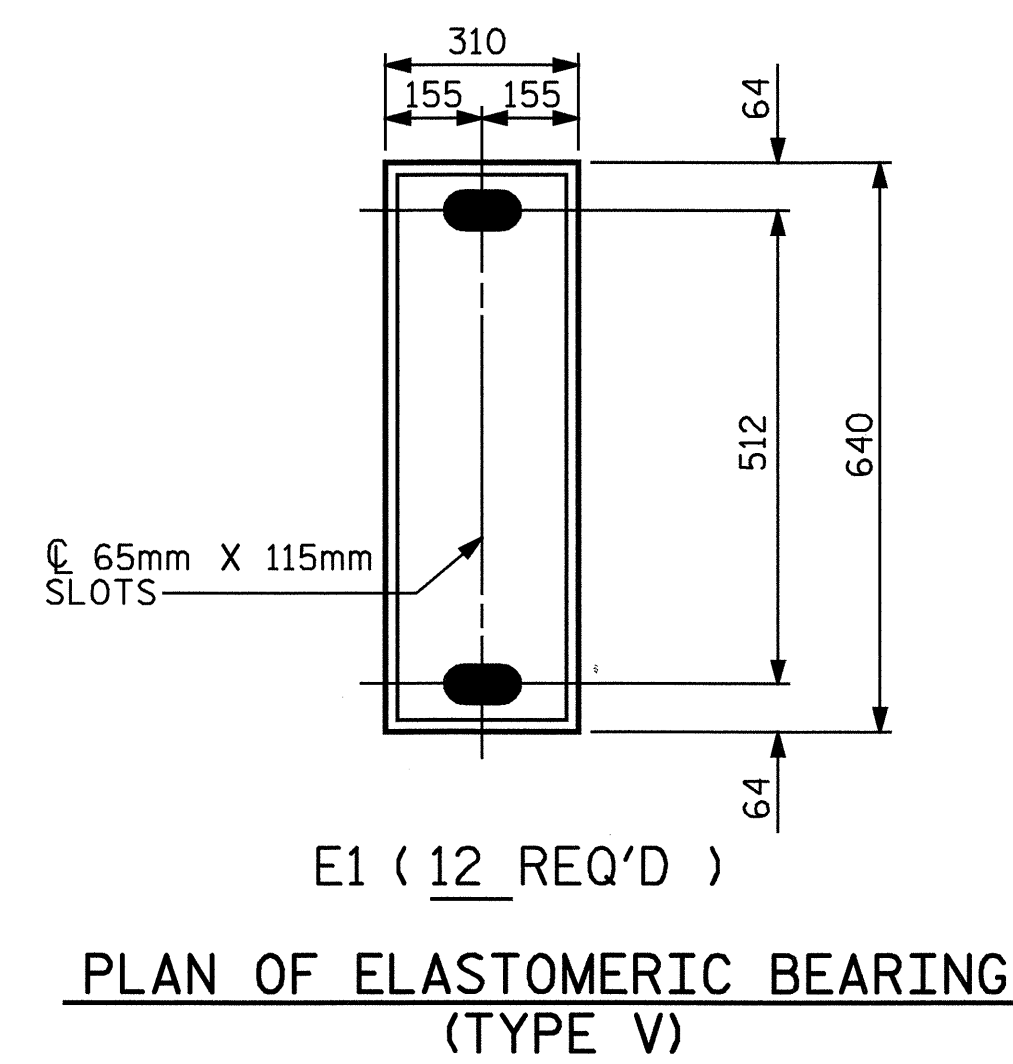
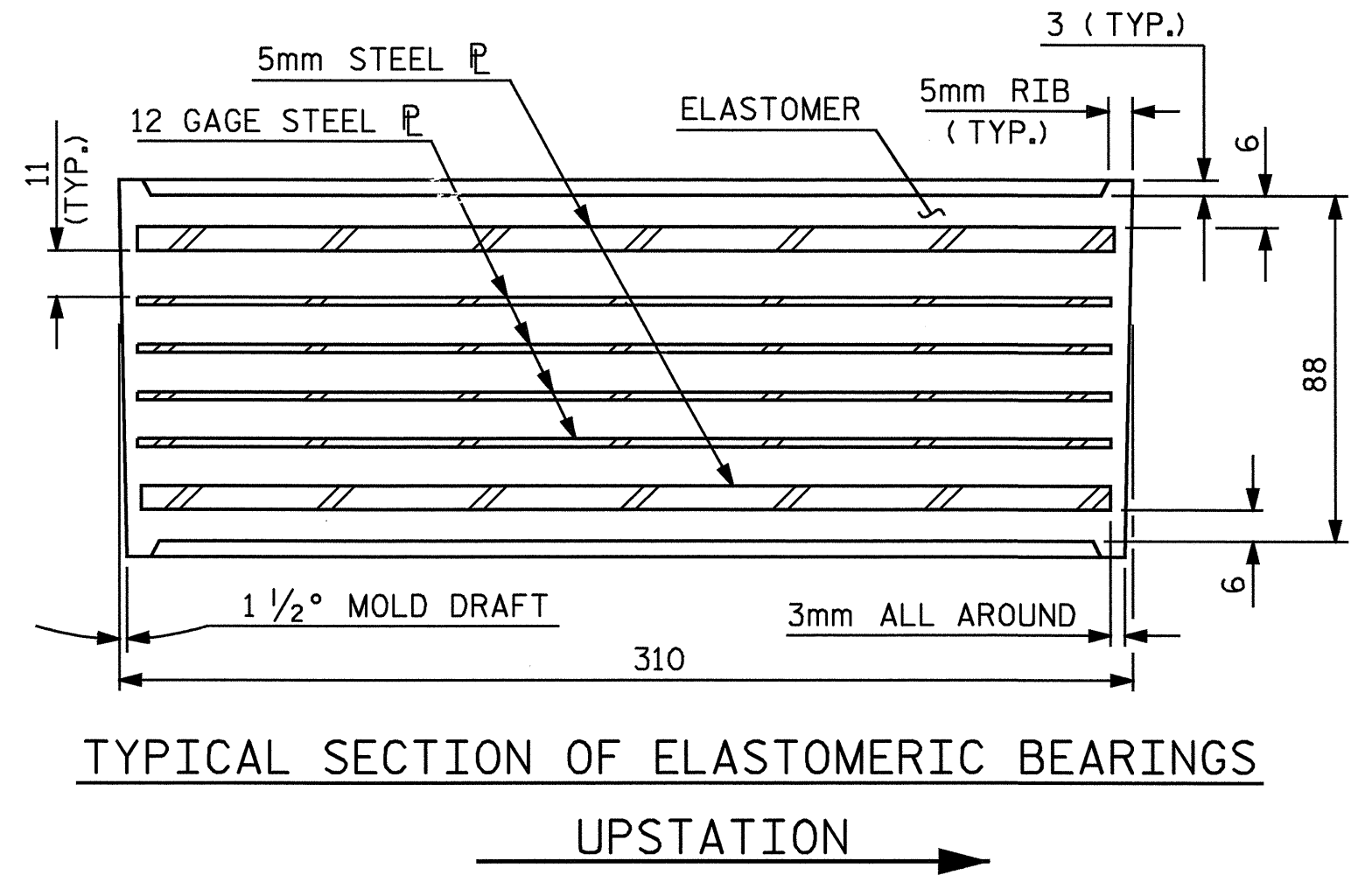
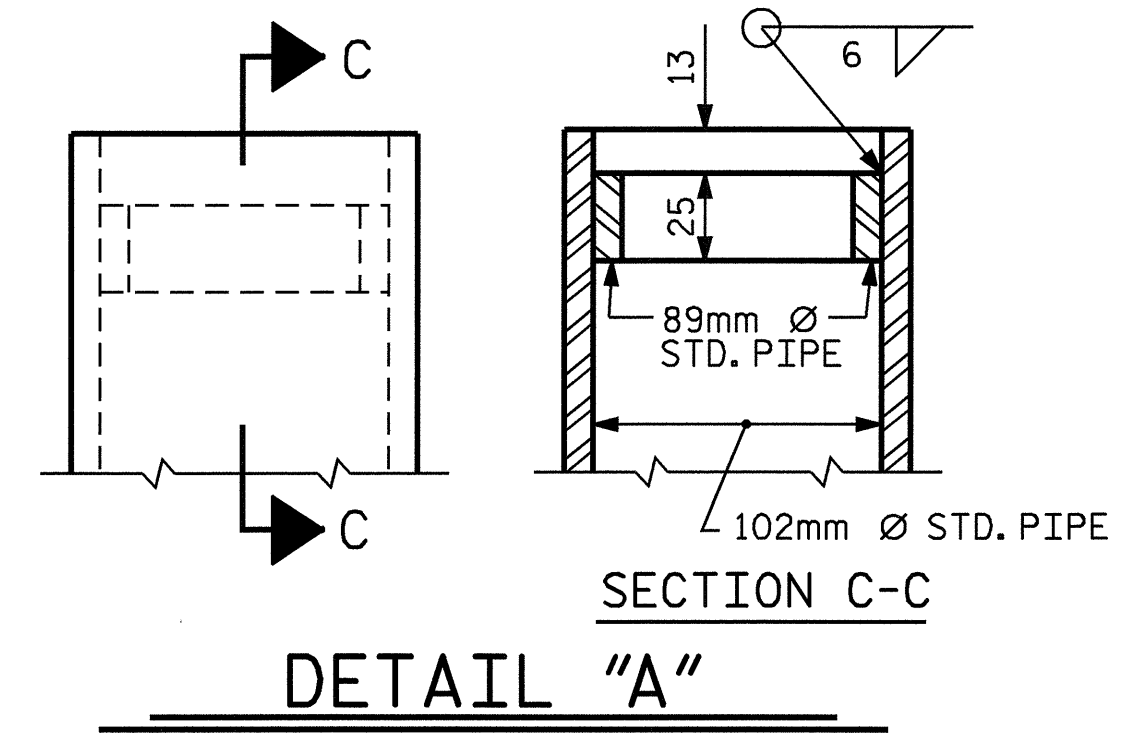
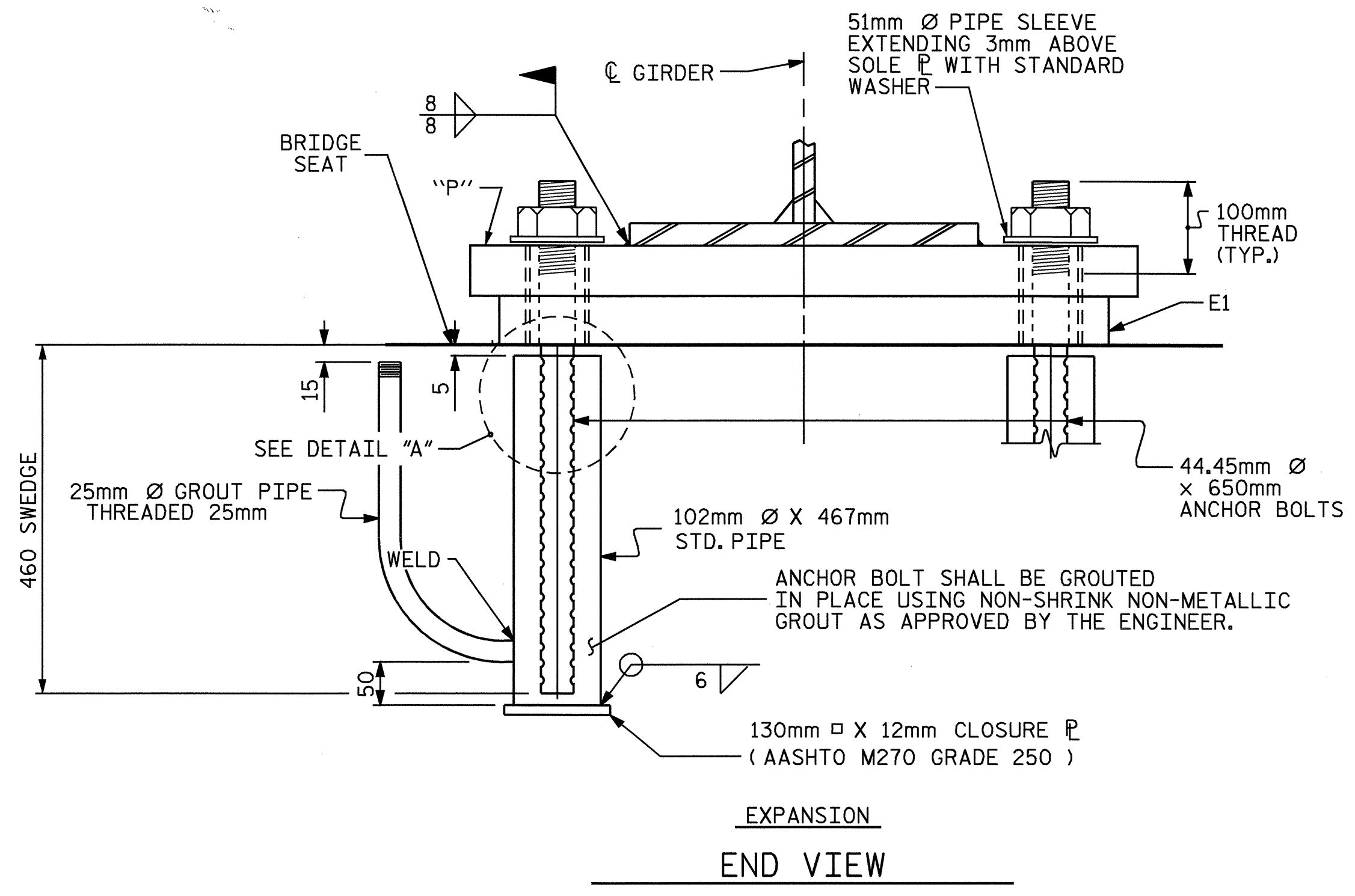
THE 51mm Ø PIPE SLEEVE SHALL BE CUT FROM SCHEDULE 40 PVC PLASTIC PIPE. THE PVC PLASTIC PIPE SHALL MEET THE REQUIREMENTS OF ASTM D1785.

THE PAYMENT FOR THE PIPE SLEEVES SHALL BE INCLUDED IN THE SEVERAL PAY ITEMS.

THE CLOSURE PLATE AND STANDARD PIPE FOR EXPANSION ASSEMBLY NEED NOT BE GALVANIZED.

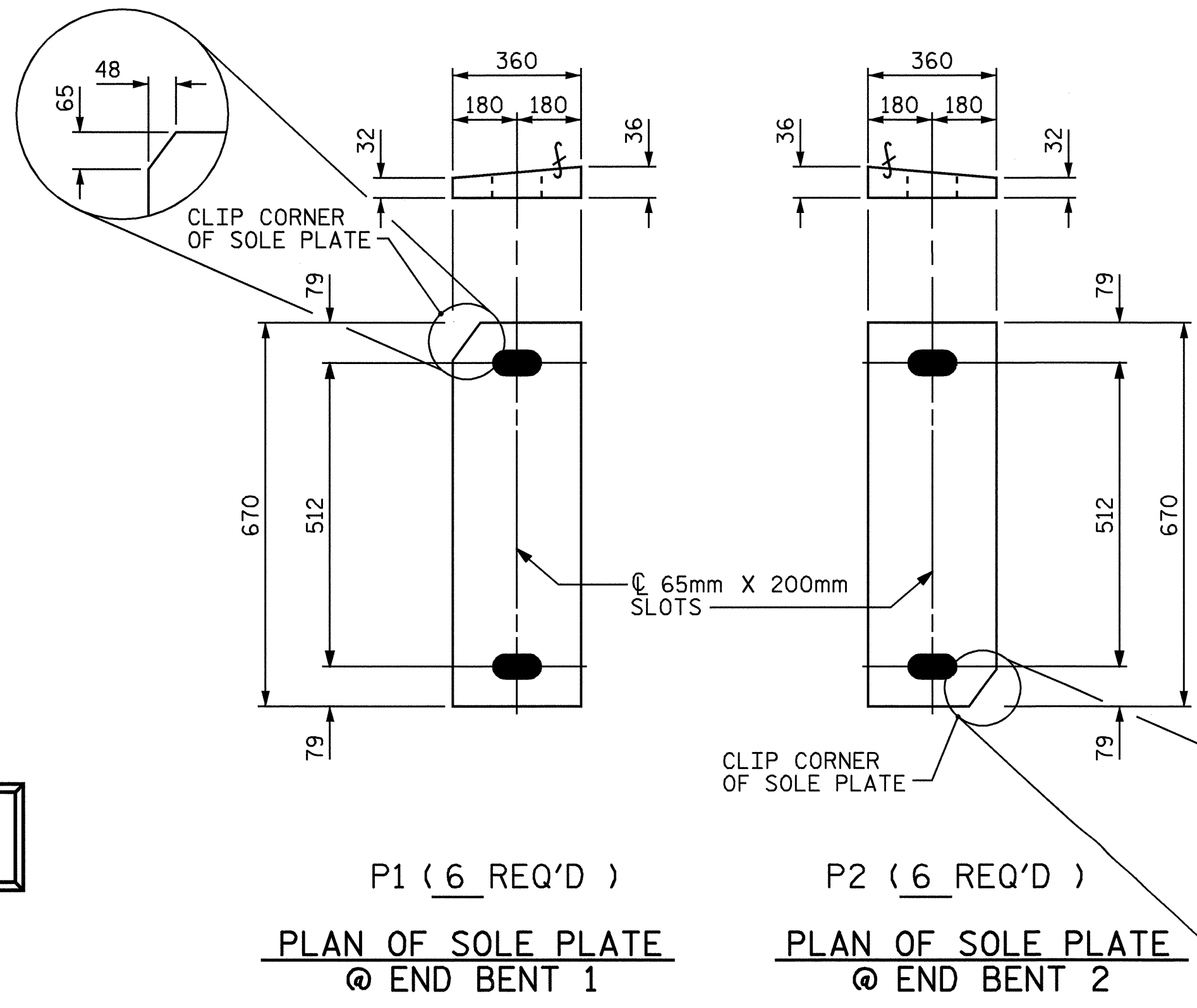
THE CONTRACTOR'S ATTENTION IS CALLED TO THE FACT THAT:

1. THE ANCHOR BOLTS SHALL BE GROUTED PRIOR TO PLACING THE FALSEWORK.
2. ONCE THE DECK HAS BEEN POURED AND HAS CURED, GIRDERS SHALL BE CENTERED ABOUT THE ANCHOR BOLTS. THIS OPERATION SHALL BE PERFORMED AT APPROXIMATELY 16° C.
3. THE SOLE PLATES SHALL BE FIELD WELDED TO THE GIRDER FLANGES.



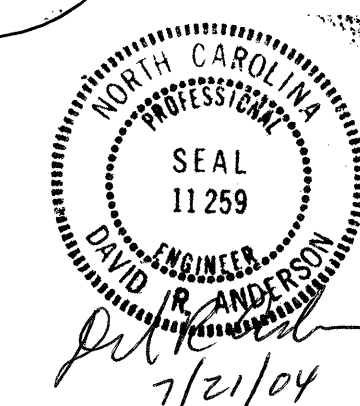
-LOAD RATINGS-	
TYPE	MAX. D.L.+ L.L.
TYPE V	943 kN

ALL ELASOMERIC BEARINGS PADS ARE 60 DUROMETER HARDNESS



PROJECT NO. R-513C
ROBESON COUNTY
STATION: 277+68.339 -L-

STATE OF NORTH CAROLINA
DEPARTMENT OF TRANSPORTATION
RALEIGH
SUPERSTRUCTURE
ELASTOMERIC BEARING DETAILS (RIGHT LANE)



DRAWN BY: J.A. WALTER DATE: 6/6/01
CHECKED BY: N.Q. TRAN DATE: 11/1/02

REVISIONS						SHEET NO.	
NO.	BY:	DATE:	NO.	BY:	DATE:	5-184	
1			3			TOTAL SHEETS	312
2			4				