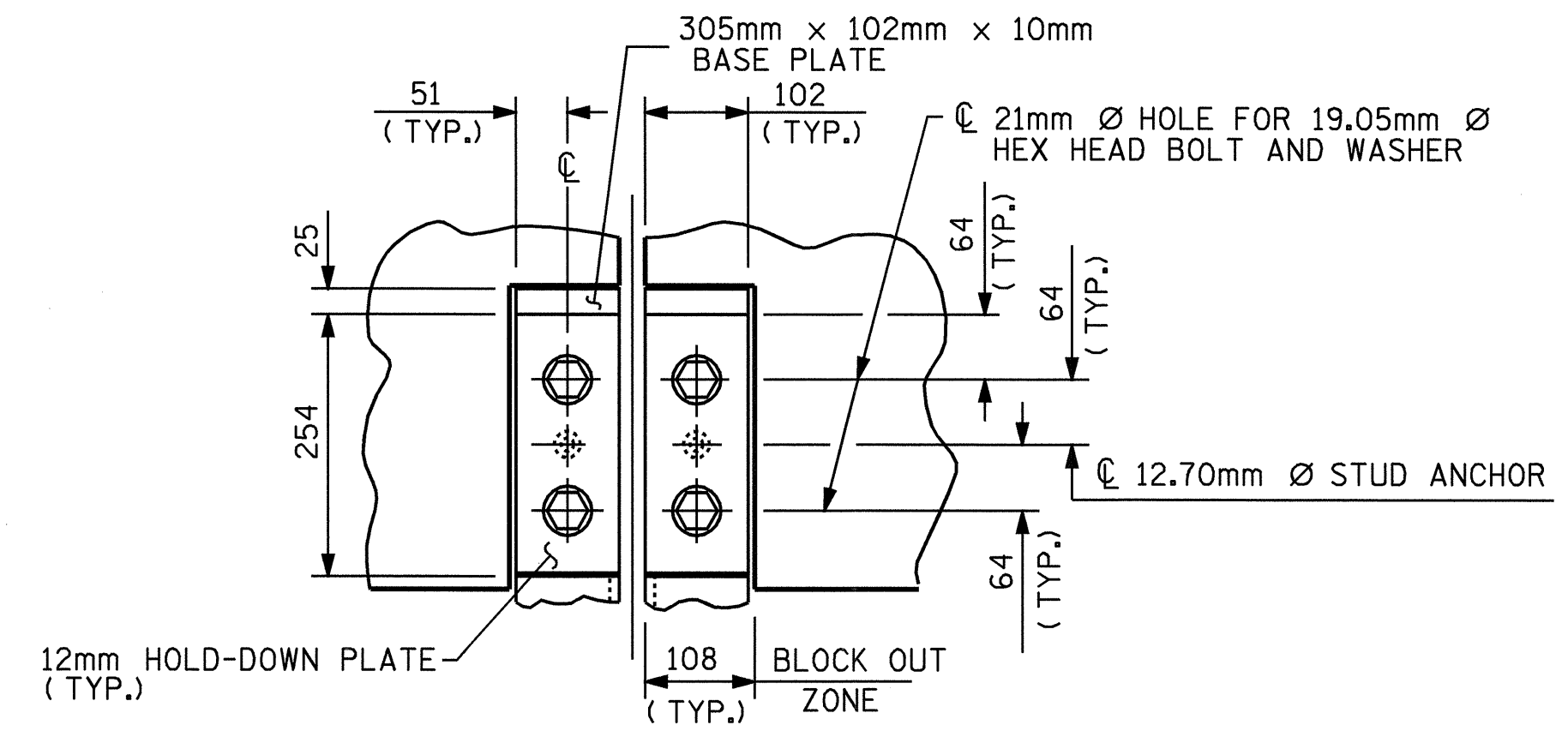
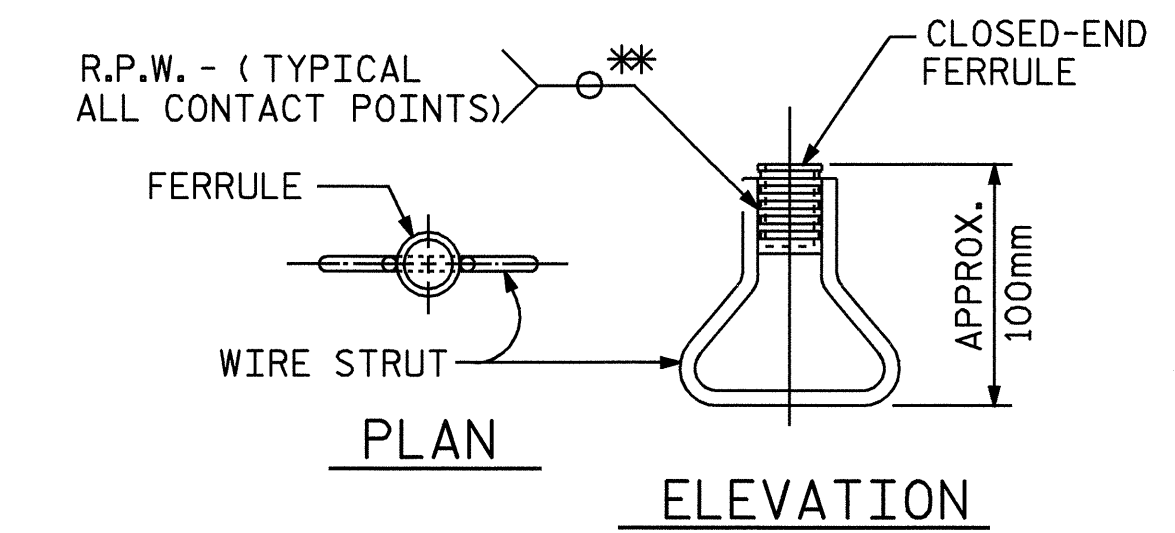


SECTION THRU RAIL NORMAL TO JOINT

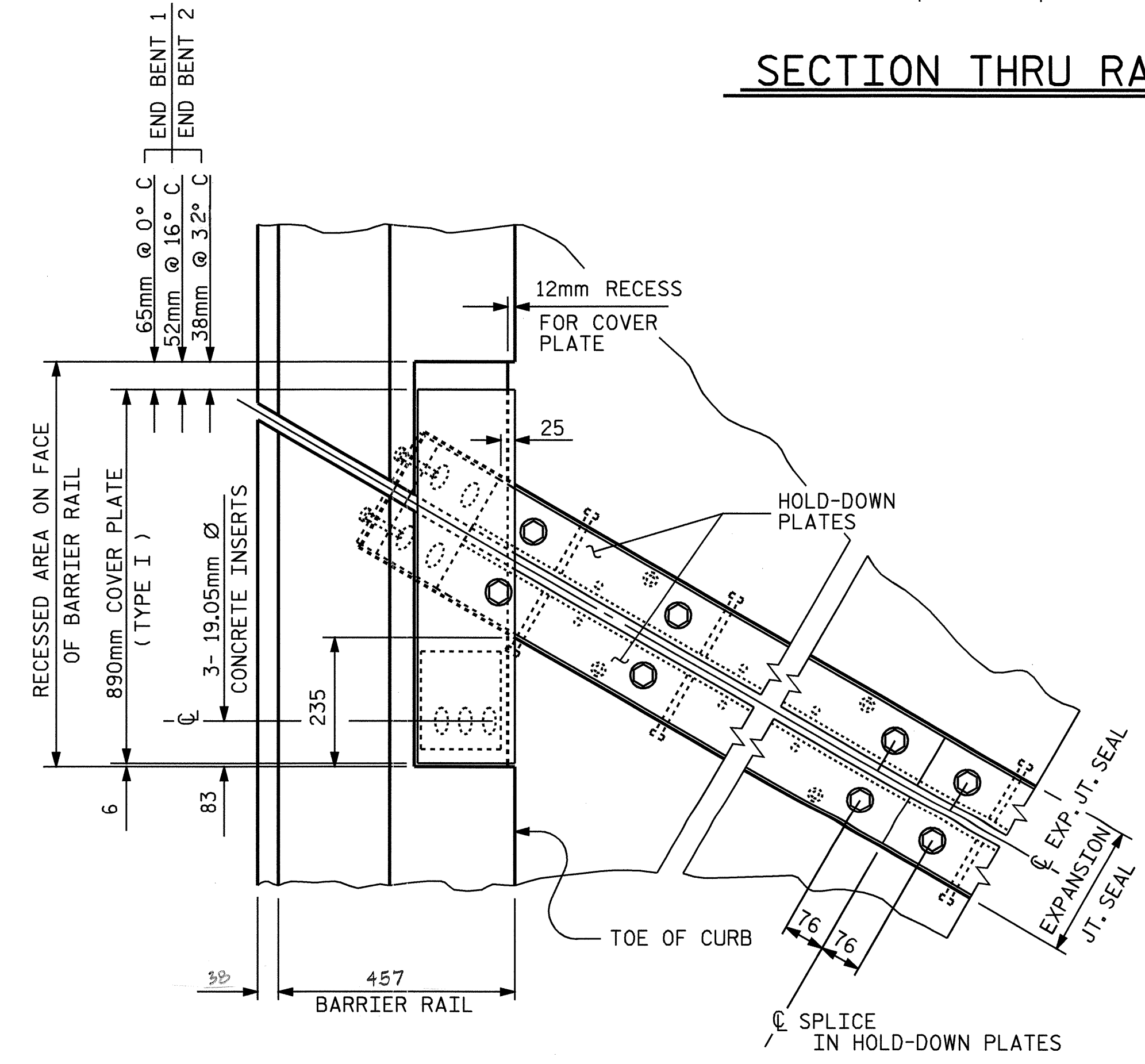


SECTION A - A

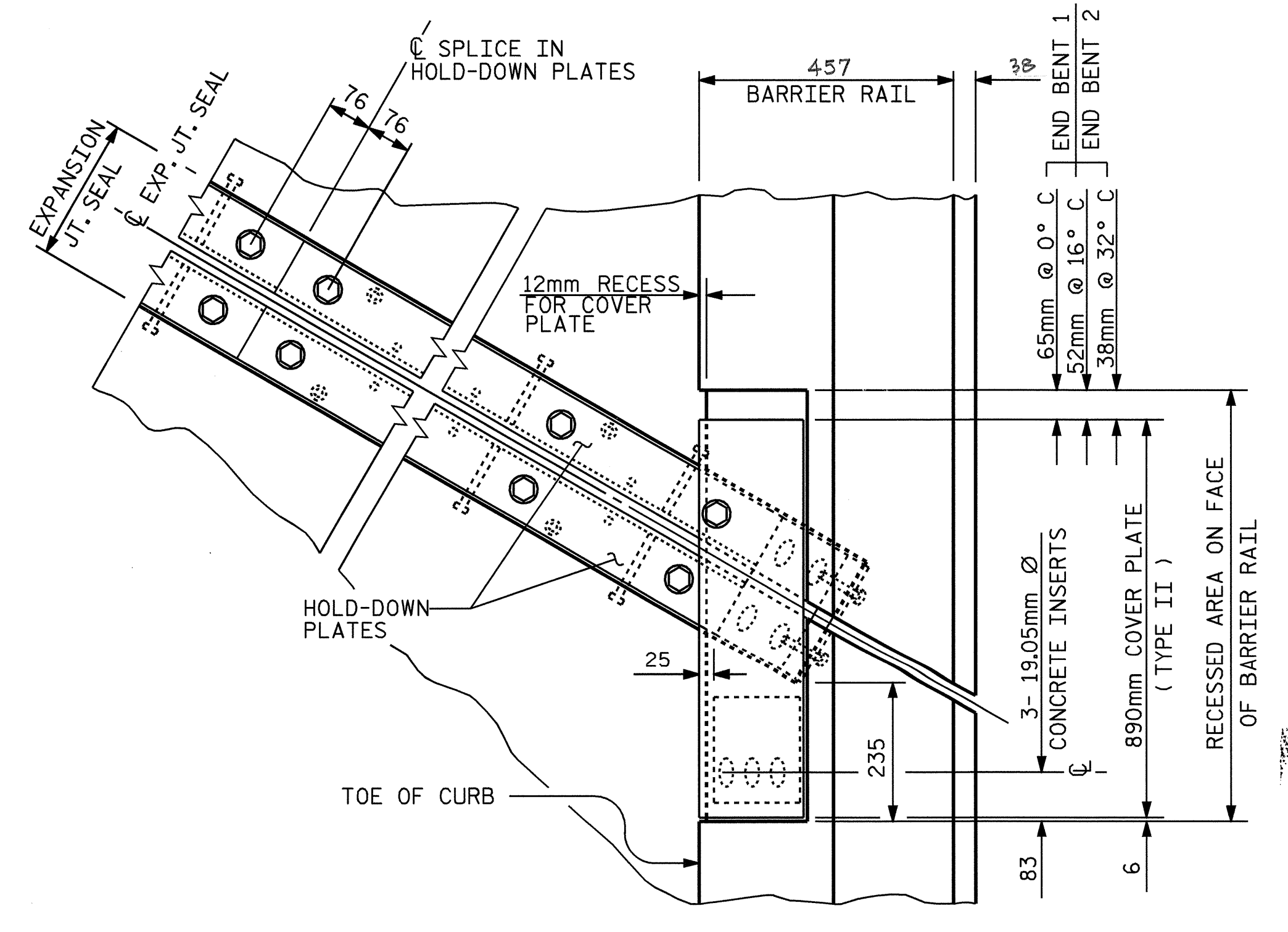


CONCRETE INSERT

* EACH WELDED ATTACHMENT OF WIRE TO FERRULE SHALL DEVELOP THE TENSILE STRENGTH OF THE WIRE.



PLAN OF EXPANSION JOINT SEAL - RIGHT SIDE



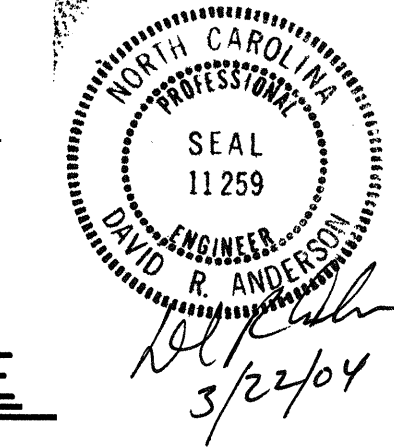
PLAN OF EXPANSION JOINT SEAL - RIGHT SIDE

PROJECT NO. R-513C
ROBESON COUNTY
 STATION: 277+68.339 -L-

SHEET 2 OF 3

STATE OF NORTH CAROLINA
 DEPARTMENT OF TRANSPORTATION
 RALEIGH

**EXPANSION JOINT
 SEAL DETAILS
 FOR BARRIER RAIL
 (RIGHT LANE)**



DRAWN BY: T.A. WALTER DATE: 10/29/02
 CHECKED BY: N.Q. TRAN DATE: 11/01/02

REVISIONS				SHEET NO.
NO.	BY:	DATE:	NO.	DATE:
1			3	
2			4	

TOTAL SHEETS: 312