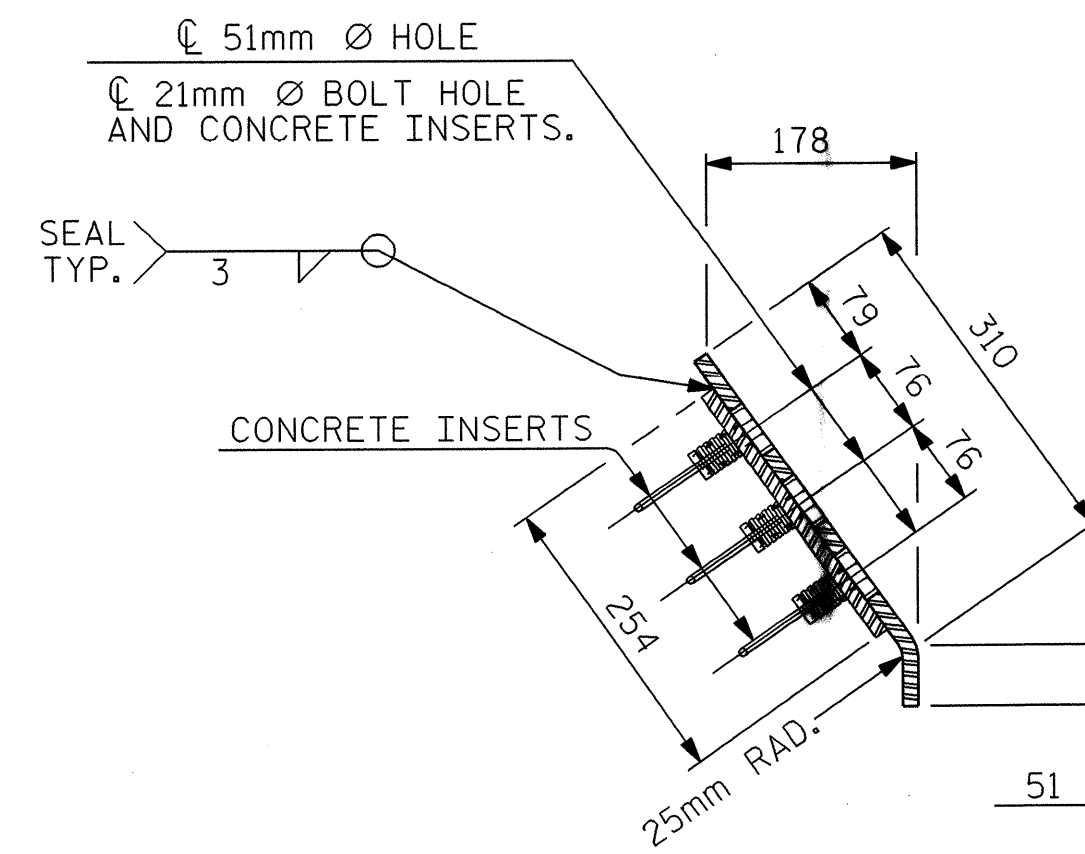


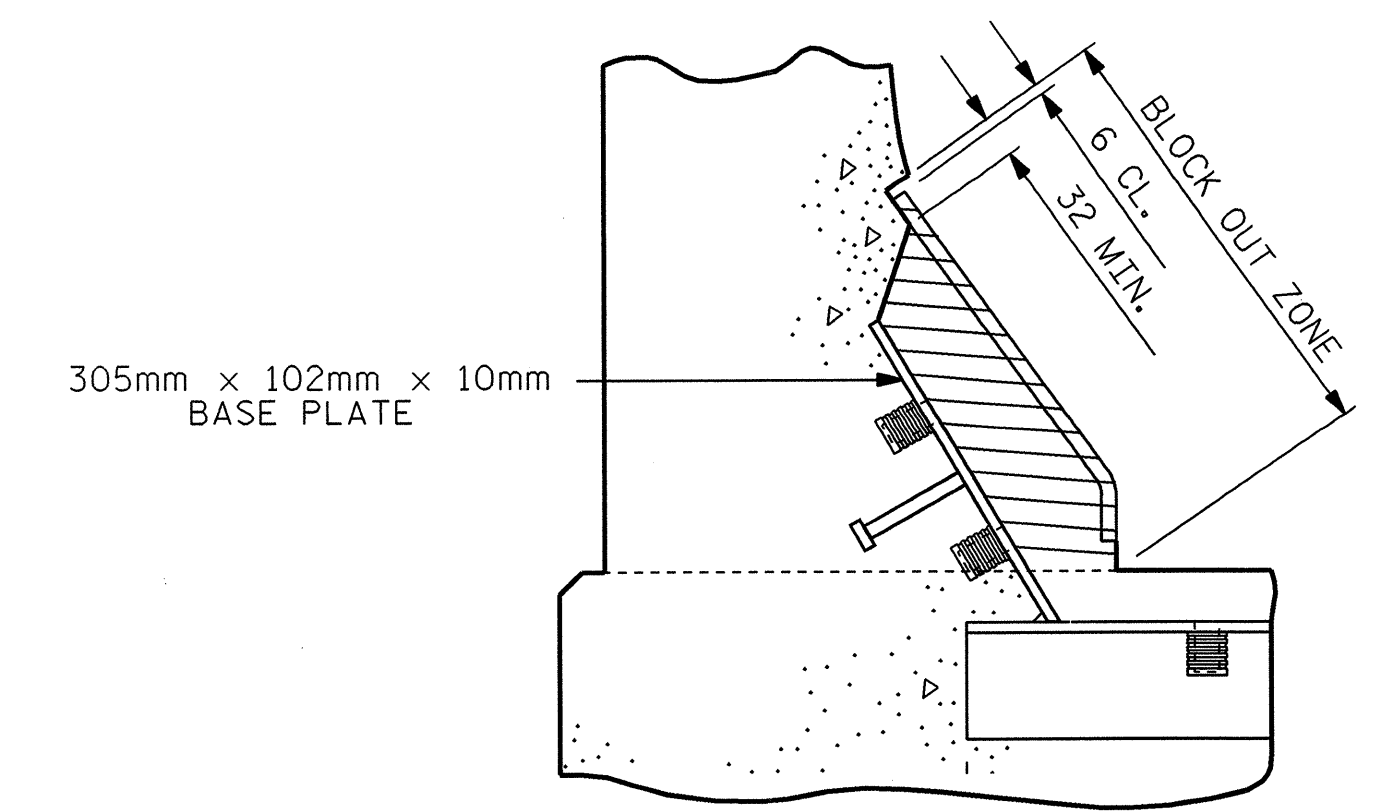
TYPE I - ELEVATION VIEW

TYPE II - ELEVATION VIEW

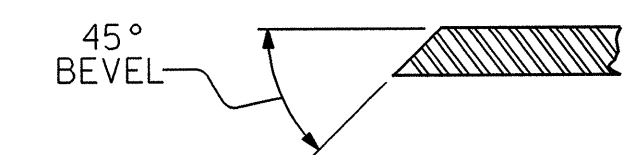
COVER PLATE DETAILS



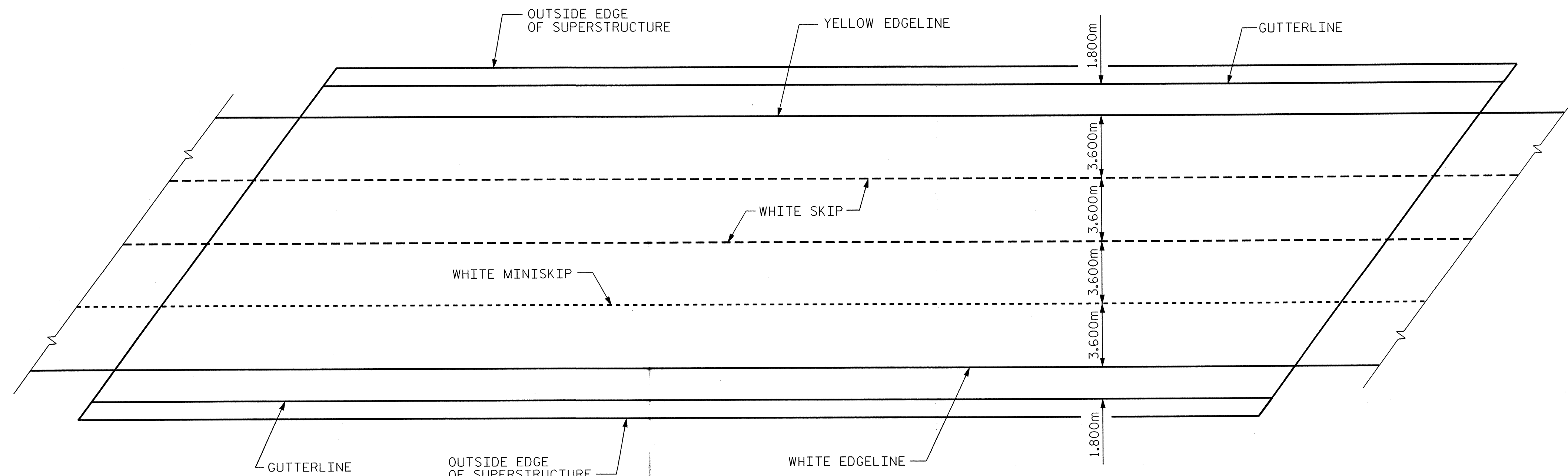
END VIEW



BLOCK OUT DETAIL
 SEE "SECTION A - A" FOR OTHER DETAILS.



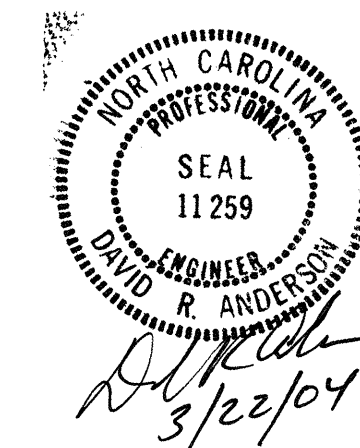
SECTION B - B



PAVEMENT MARKING ALIGNMENT

PROJECT NO. R-513C
ROBESON COUNTY
 STATION: 277+68.339 -L-

SHEET 3 OF 3



STATE OF NORTH CAROLINA
 DEPARTMENT OF TRANSPORTATION
 RALEIGH

**EXPANSION JOINT
 SEAL DETAILS
 FOR BARRIER RAIL
 (RIGHT LANE)**

| REVISIONS | | | | | | SHEET NO. |
|-----------|-----|-------|-----|-----|-------|--------------|
| NO. | BY: | DATE: | NO. | BY: | DATE: | 5-187 |
| 1 | | | 3 | | | TOTAL SHEETS |
| 2 | | | 4 | | | 312 |

DRAWN BY : T.A. WALTER DATE : 10/29/02
 CHECKED BY : N.O. TRAN DATE : 11/01/02