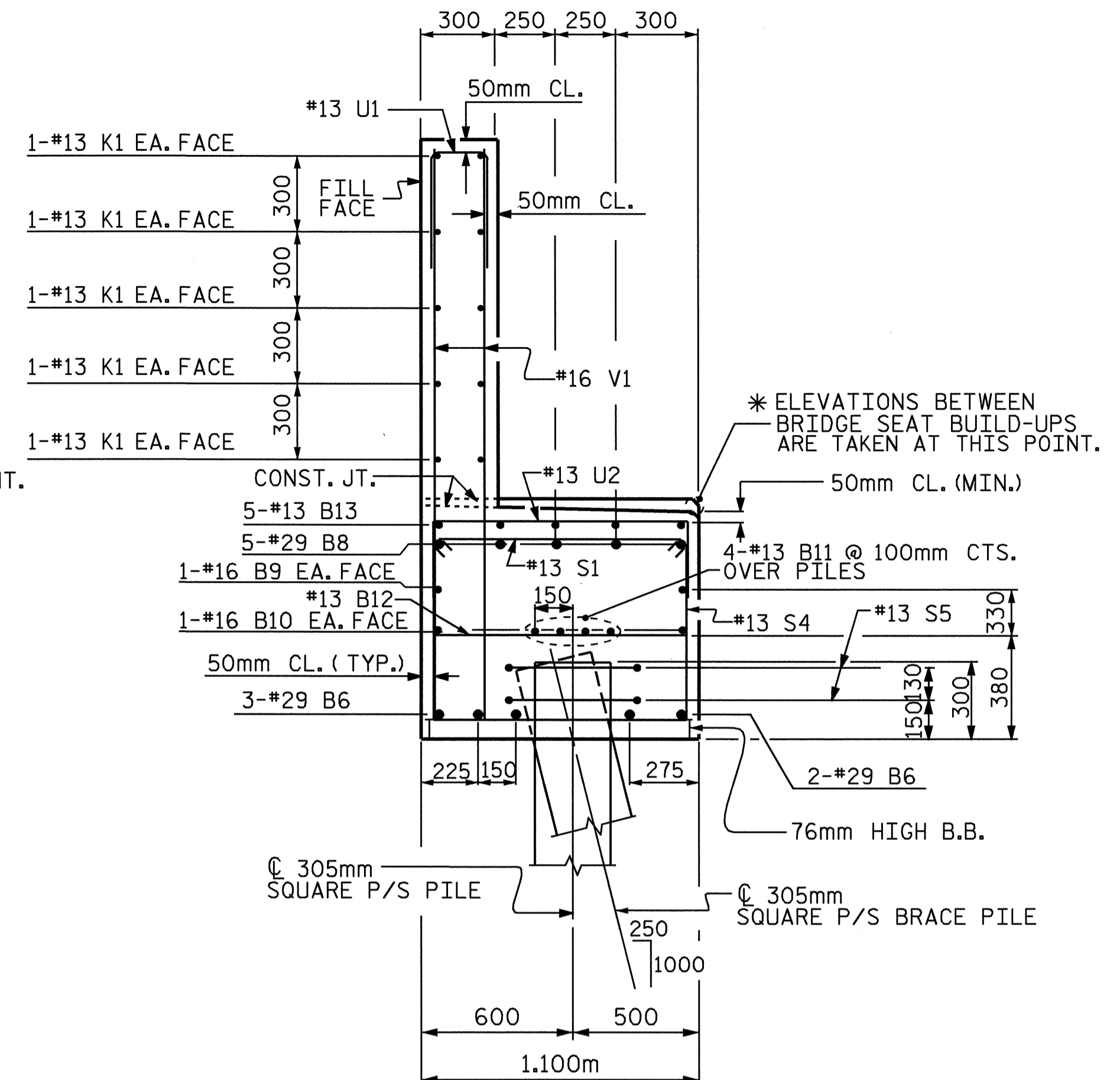
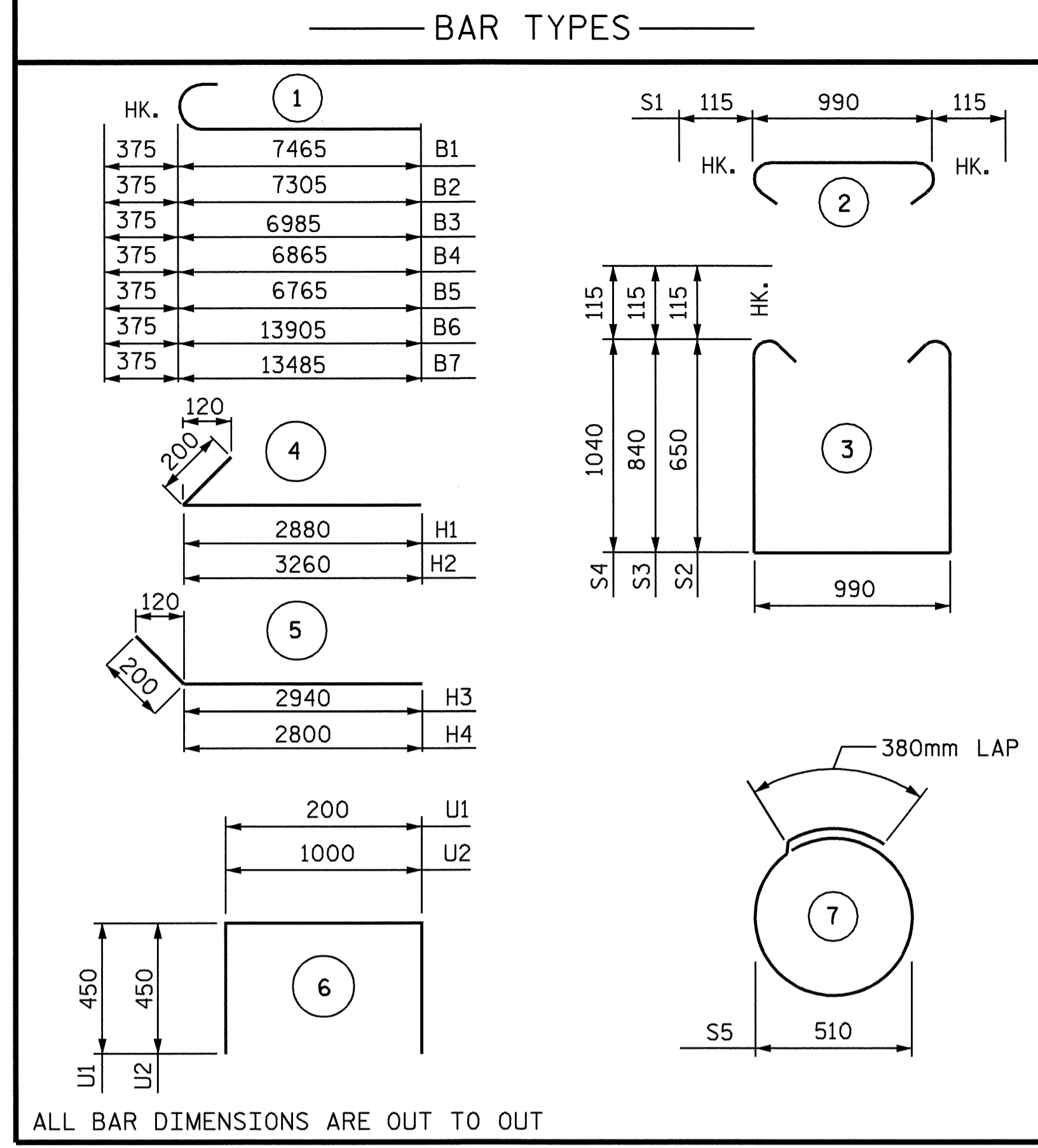


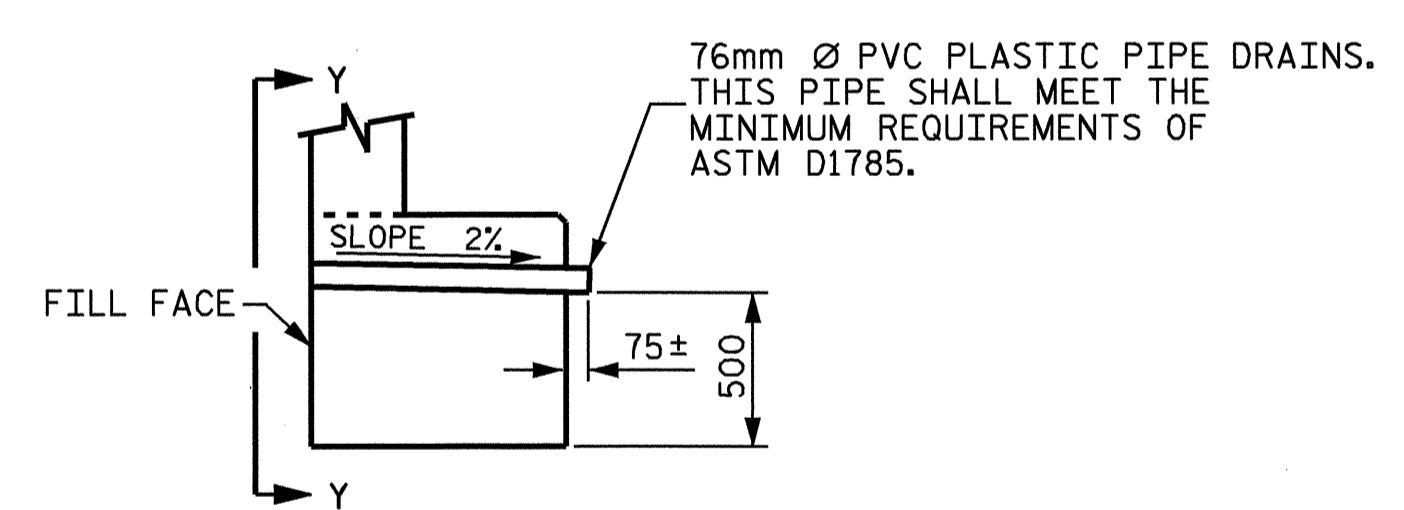
SECTION A-A



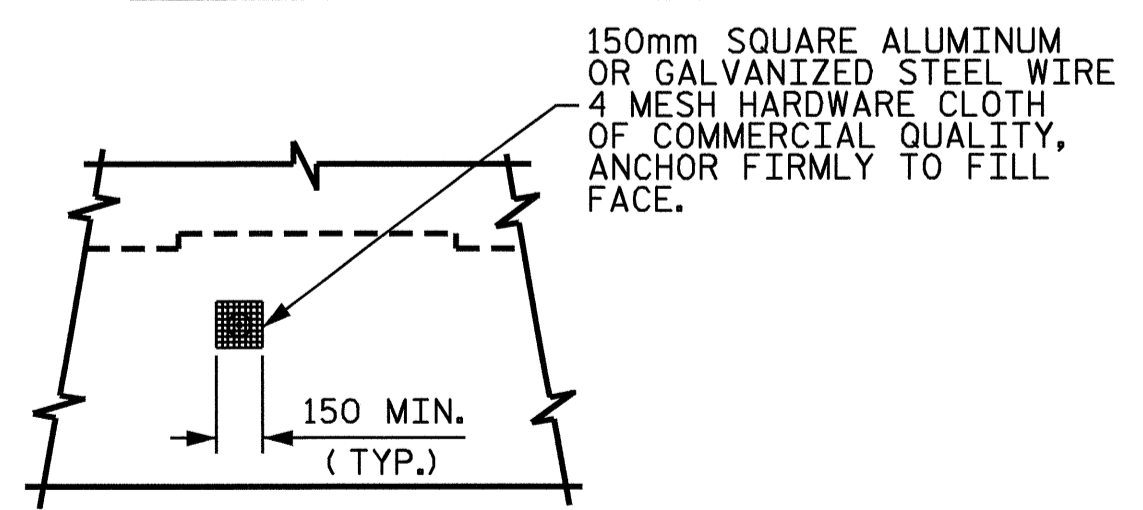
SECTION B-B



BILL OF MATERIAL					
END BENT 1					
BAR NO.	SIZE	TYPE	LENGTH	WEIGHT	
B1	1	29	1	7840	40
B2	1	29	1	7680	39
B3	1	29	1	7360	37
B4	1	29	1	7240	37
B5	1	29	1	7140	36
B6	10	29	1	14280	723
B7	5	29	1	13860	351
B8	5	29	STR	11040	279
B9	2	16	STR	14180	44
B10	4	16	STR	13440	83
B11	16	13	STR	7040	112
B12	26	13	STR	1000	26
B13	15	13	STR	1100	16
H1	11	16	4	3080	53
H2	11	16	4	3460	59
H3	10	16	5	3140	49
H4	10	16	5	3000	47
K1	40	13	STR	7060	281
K2	8	13	STR	1100	9
S1	75	13	2	1220	91
S2	30	13	3	2520	75
S3	25	13	3	2900	72
S4	20	13	3	3300	66
S5	32	13	7	2000	64
U1	79	13	6	1100	86
U2	9	13	6	1900	17
V1	158	16	STR	2220	544
V2	28	16	STR	3120	136
V3	28	16	STR	2580	112
REINFORCING STEEL				3584 kg	
CLASS A CONCRETE BREAKDOWN					
POUR 1 (CAP AND LOWER PORTION OF WINGS)				m ³	30.2
POUR 2 (BACKWALL AND UPPER PORTION OF WINGS)				m ³	16.9
TOTAL				m ³	47.1
305mm SQUARE PRESTRESSED CONCRETE PILES					
NO. 16				METERS	240.0



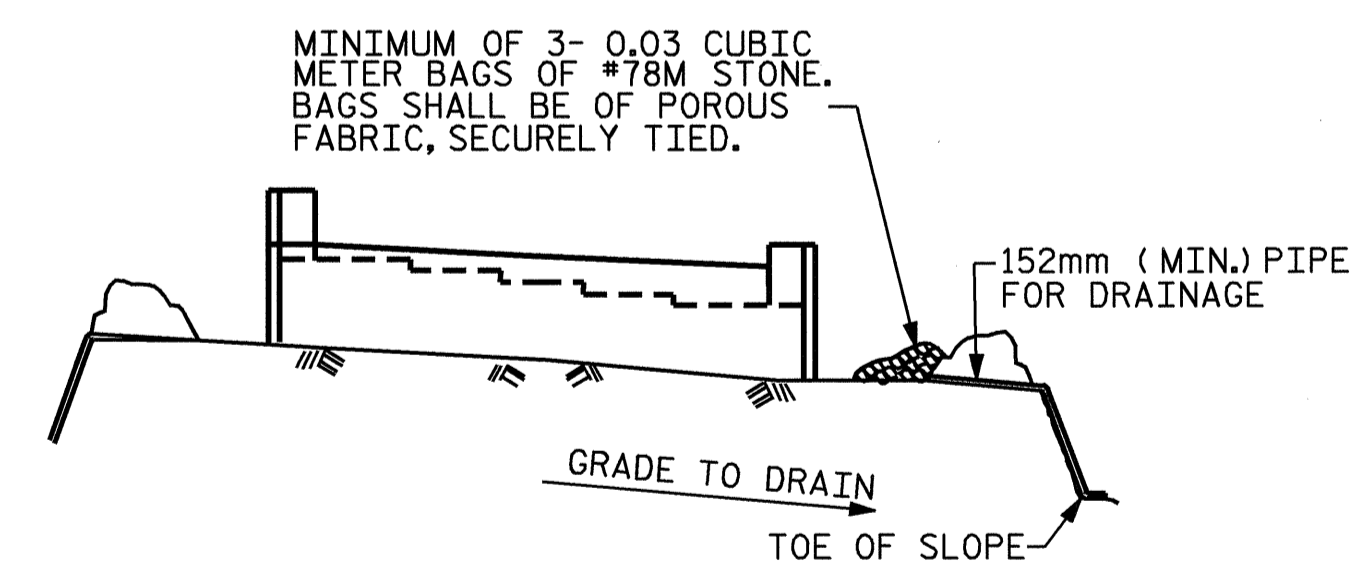
SECTION THRU CAP



VIEW Y-Y

NOTE: NO SEPARATE PAYMENT WILL BE MADE FOR FURNISHING AND INSTALLING THE PVC PIPE DRAINS, HARDWARE CLOTH AND FASTENERS. THE ENTIRE COST OF THIS WORK SHALL BE INCLUDED IN THE UNIT CONTRACT PRICE BID FOR THE SEVERAL PAY ITEMS.

PIPE DRAIN DETAILS



BAGGED STONE AND PIPE SHALL BE PLACED IMMEDIATELY AFTER COMPLETION OF END BENT EXCAVATION. PIPE MAY BE EITHER CONCRETE, CORRUGATED STEEL, CORRUGATED ALUMINUM ALLOY, OR CORRUGATED PLASTIC. PERFORATED PIPE WILL NOT BE ALLOWED.

BAGGED STONE SHALL REMAIN IN PLACE UNTIL THE ENGINEER DIRECTS THAT IT BE REMOVED. THE CONTRACTOR SHALL REMOVE AND DISPOSE OF SILT ACCUMULATIONS AT BAGGED STONE WHEN SO DIRECTED BY THE ENGINEER. BAGS SHALL BE REMOVED AND REPLACED WHENEVER THE ENGINEER DETERMINES THAT THEY HAVE DETERIORATED AND LOST THEIR EFFECTIVENESS.

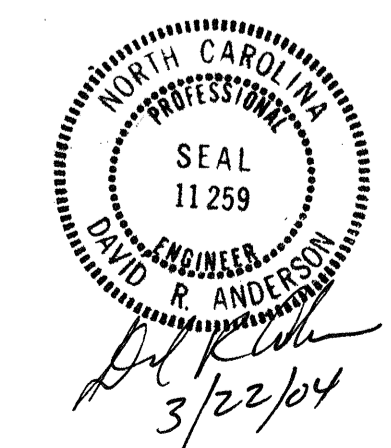
NO SEPARATE PAYMENT WILL BE MADE FOR THIS WORK AND THE ENTIRE COST OF THIS WORK SHALL BE INCLUDED IN THE UNIT CONTRACT PRICE BID FOR THE SEVERAL PAY ITEMS.

TEMPORARY DRAINAGE AT END BENT

PROJECT NO. **R-513C**
ROBESON COUNTY
 STATION: **277+68.339 -L-**

SHEET 3 OF 3

STATE OF NORTH CAROLINA
 DEPARTMENT OF TRANSPORTATION
 RALEIGH
**SUBSTRUCTURE
 END BENT 1**



REVISIONS				SHEET NO.	
NO.	BY:	DATE:	NO.	BY:	DATE:
1			3		
2			4		

TOTAL SHEETS: 312

DRAWN BY: **S. M. RASHIDI** DATE: **9/28/01**
 CHECKED BY: **P. SEDAI** DATE: **8/13/02**