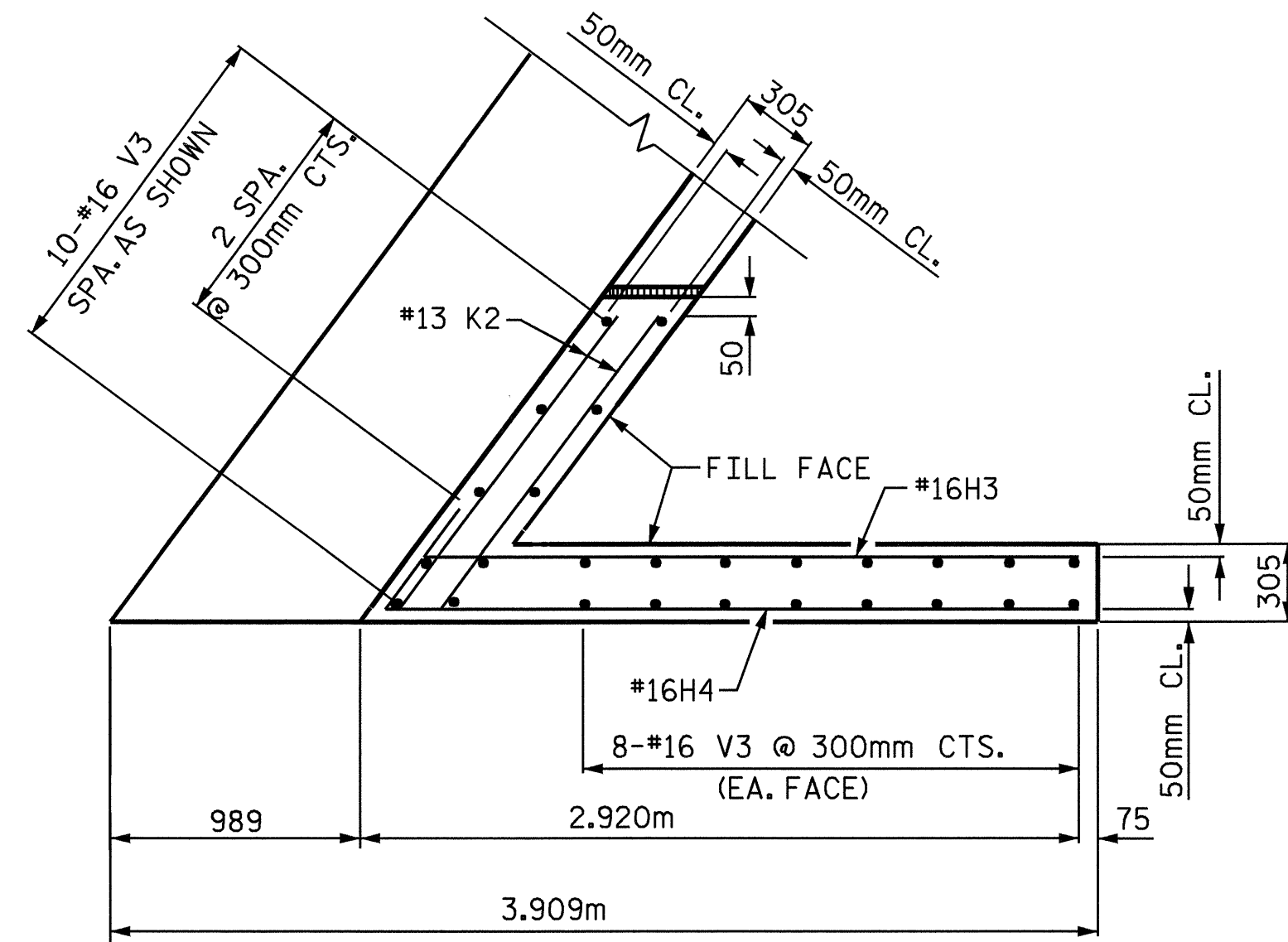
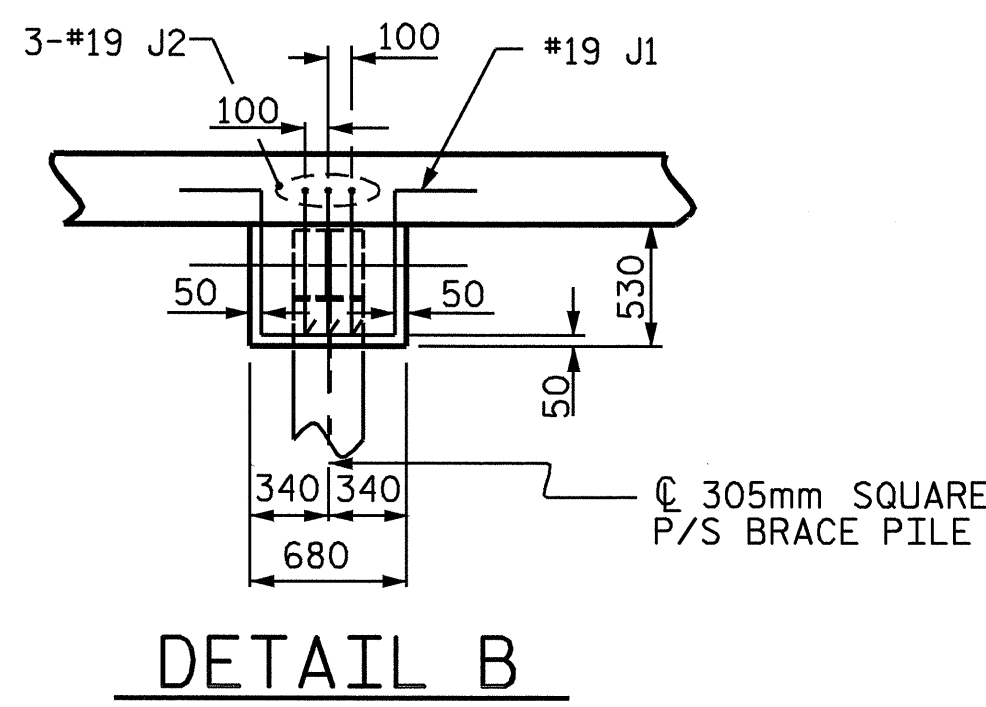


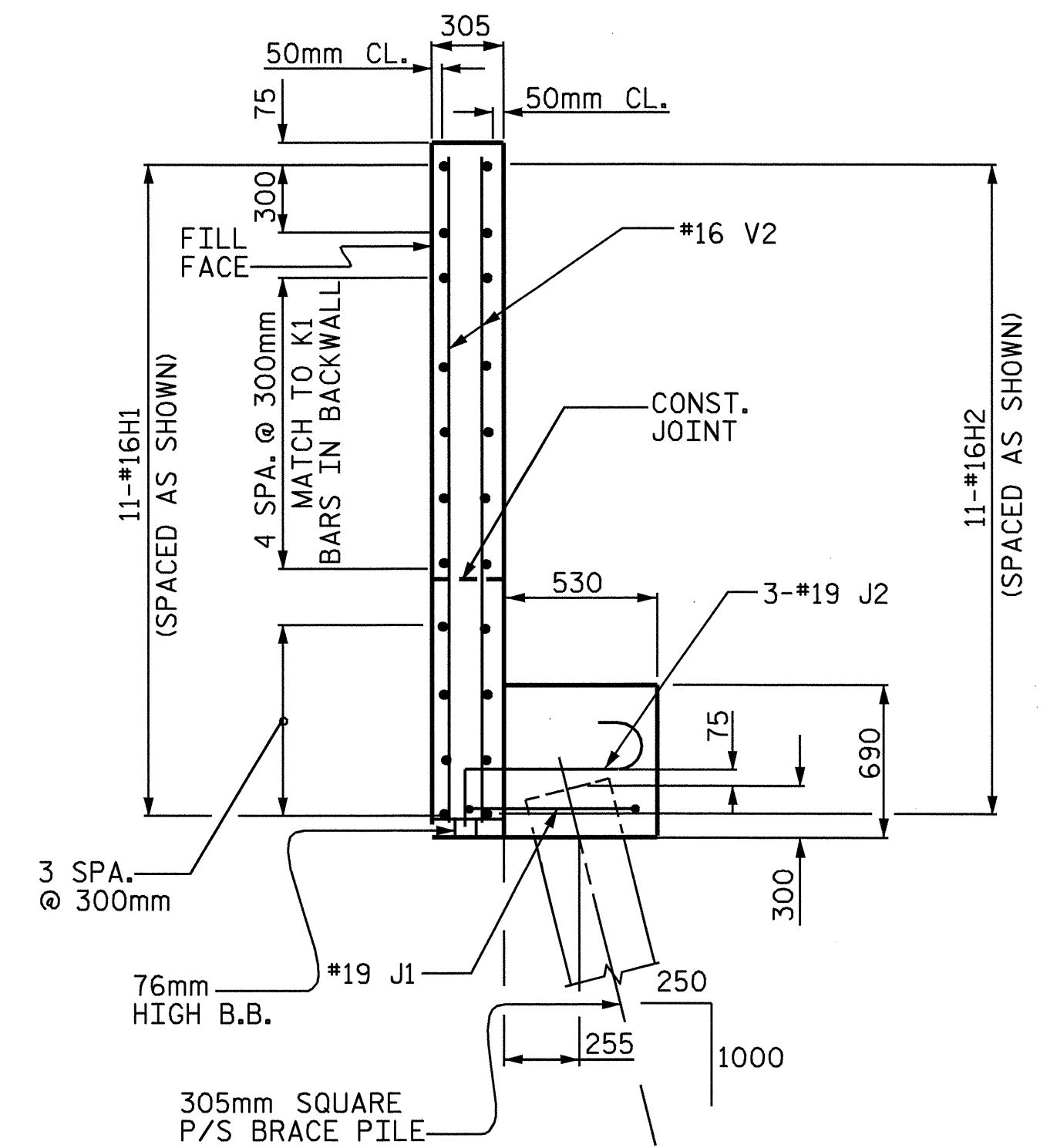
PLAN OF WING - W1



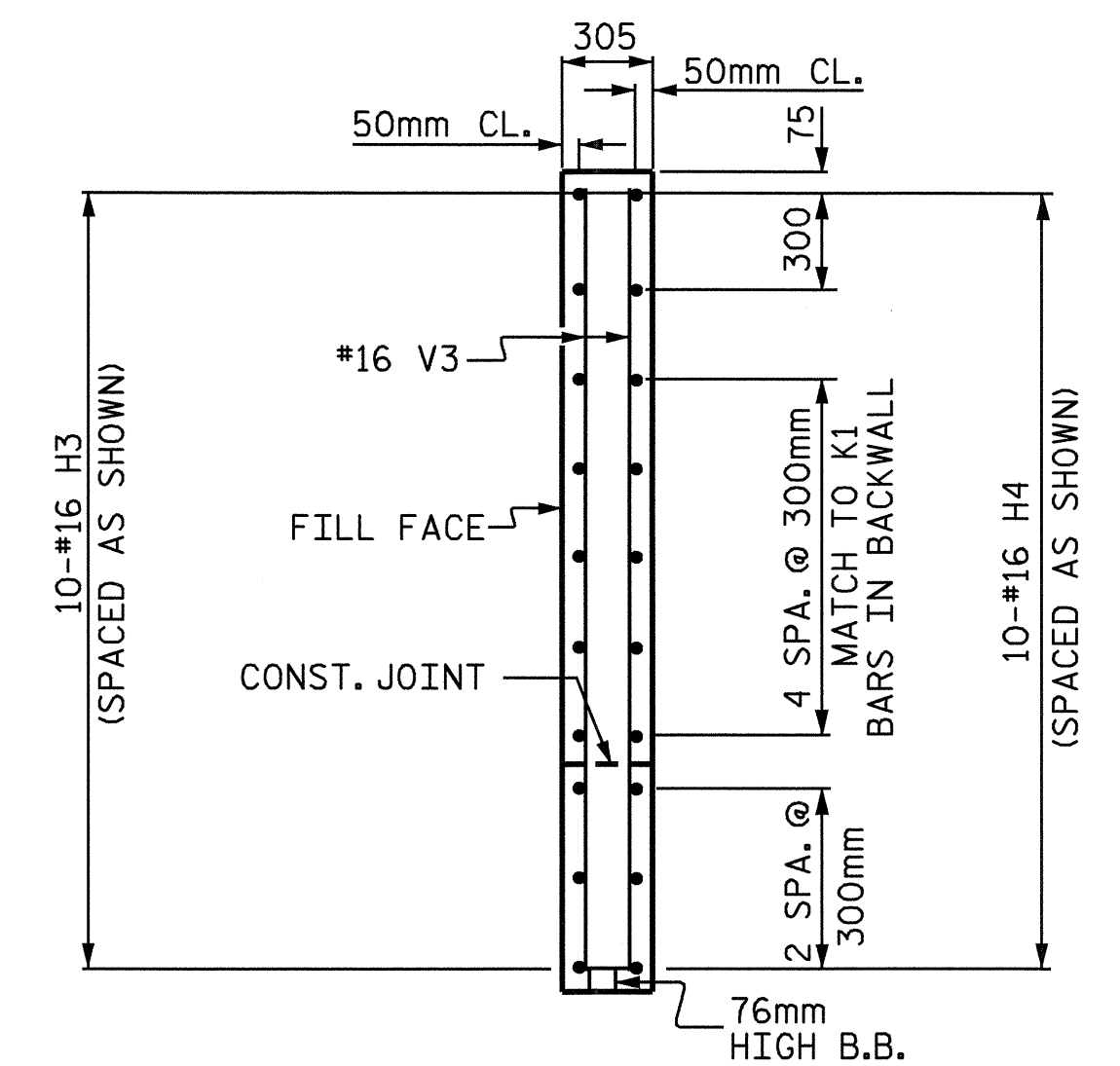
PLAN OF WING - W2



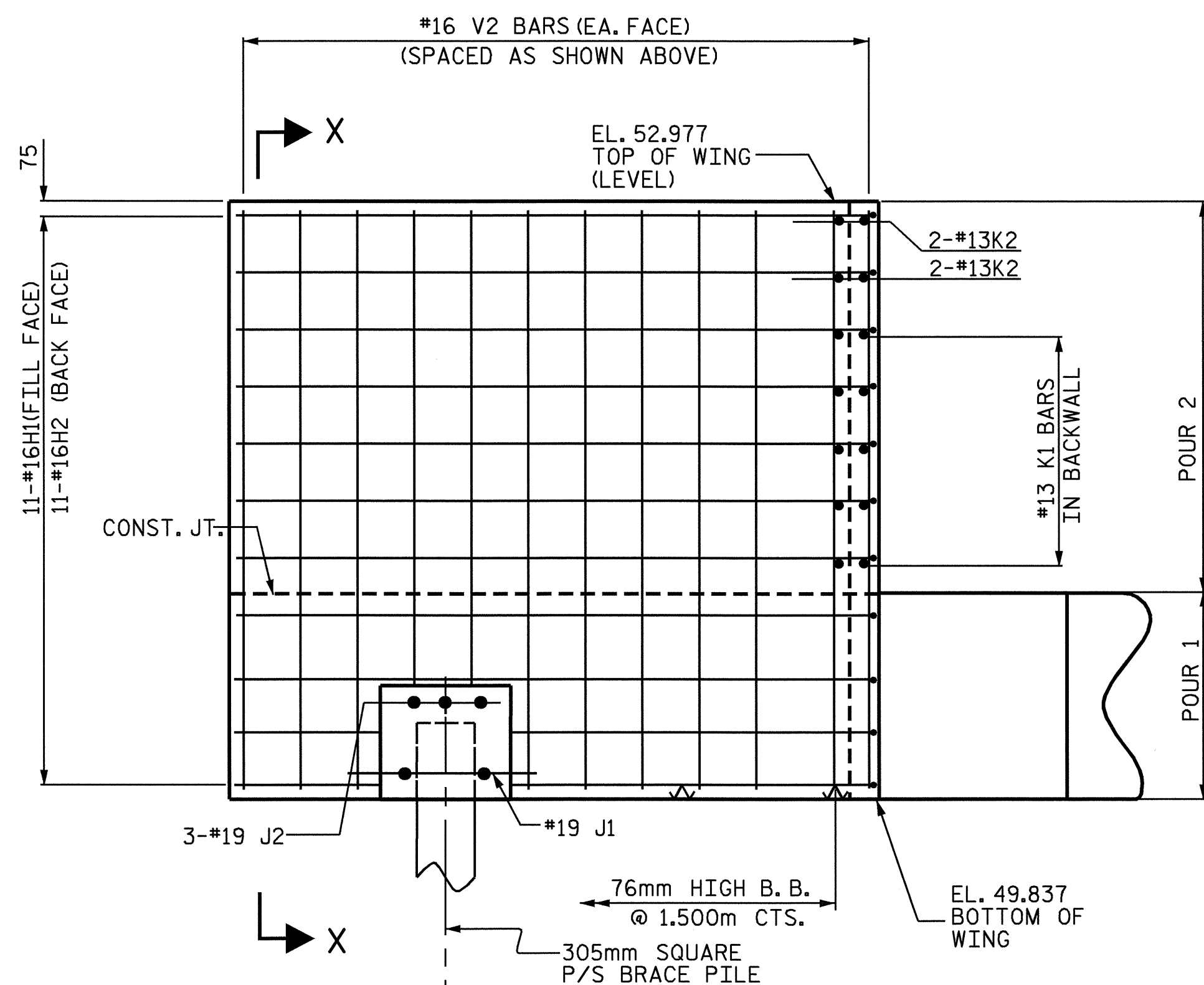
DETAIL B



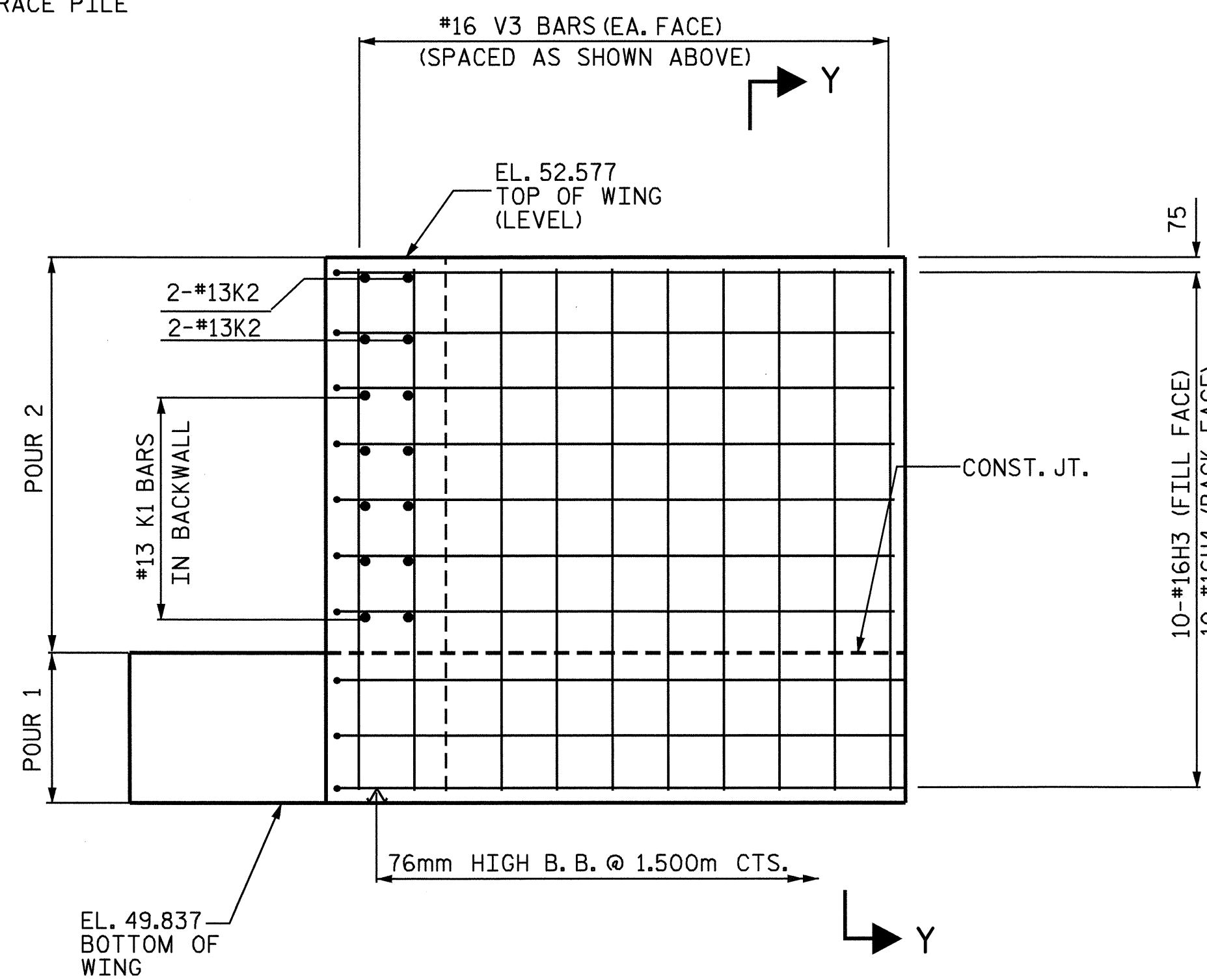
SECTION X-X



SECTION Y-Y



ELEVATION OF WING - W1



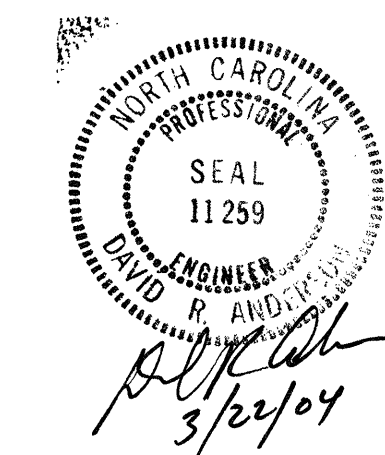
ELEVATION OF WING - W2

PROJECT NO. R-513C
 ROBESON COUNTY
 STATION: 277+68.339 -L-

SHEET 2 OF 3

STATE OF NORTH CAROLINA
 DEPARTMENT OF TRANSPORTATION
 RALEIGH

SUBSTRUCTURE
 END BENT 2



DRAWN BY: S. M. RASHIDI DATE: 9/28/01
 CHECKED BY: K. P. SEDAI DATE: 8/12/02

03-MAR-2004 10:15
 w:\SquadM\0513c\str4\srashidi\Microstation\R-513c04bts.dgn
 srashidi

REVISIONS						SHEET NO.	
NO.	BY:	DATE:	NO.	BY:	DATE:	TOTAL SHEETS	
1			3			5	201
2			4			3	12

STR. #4