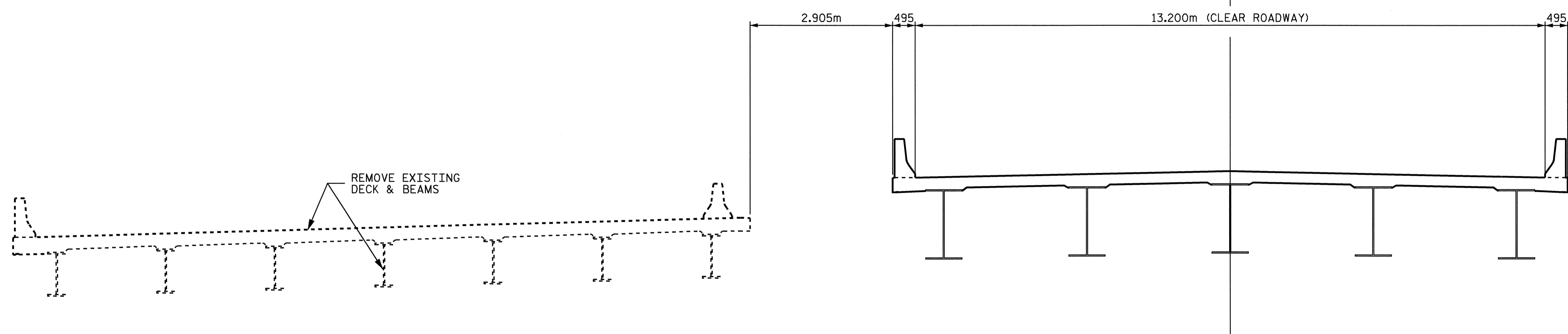
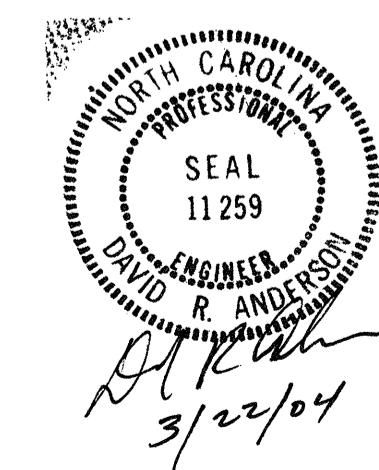


STAGE I CONSTRUCTION



STAGE II CONSTRUCTION

PROJECT NO. R-513C
ROBESON COUNTY
 STATION: 17+37.086 -Y3-



STATE OF NORTH CAROLINA DEPARTMENT OF TRANSPORTATION RALEIGH					
CONSTRUCTION SEQUENCE					
REVISIONS					SHEET NO.
NO.	BY:	DATE:	NO.	BY:	DATE:
1			3		
2			4		
TOTAL SHEETS					312

DRAWN BY : W.K.FISCHER DATE : 2/25/04
 CHECKED BY : S. WANCE DATE : 2/27/04

19-MAR-2004 10:13
 W:\SquadM\170513c\str5\wkfisher\Microstation\R-513C_sd_EXBTL_05.dgn
 wkfisher