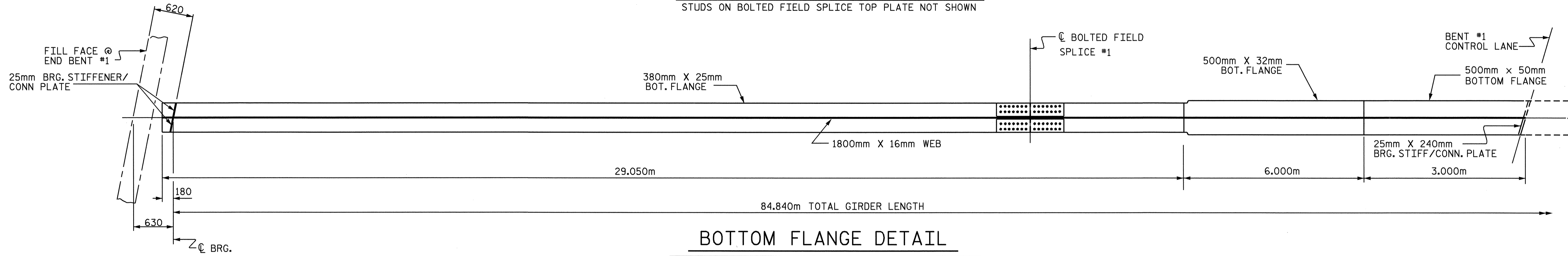
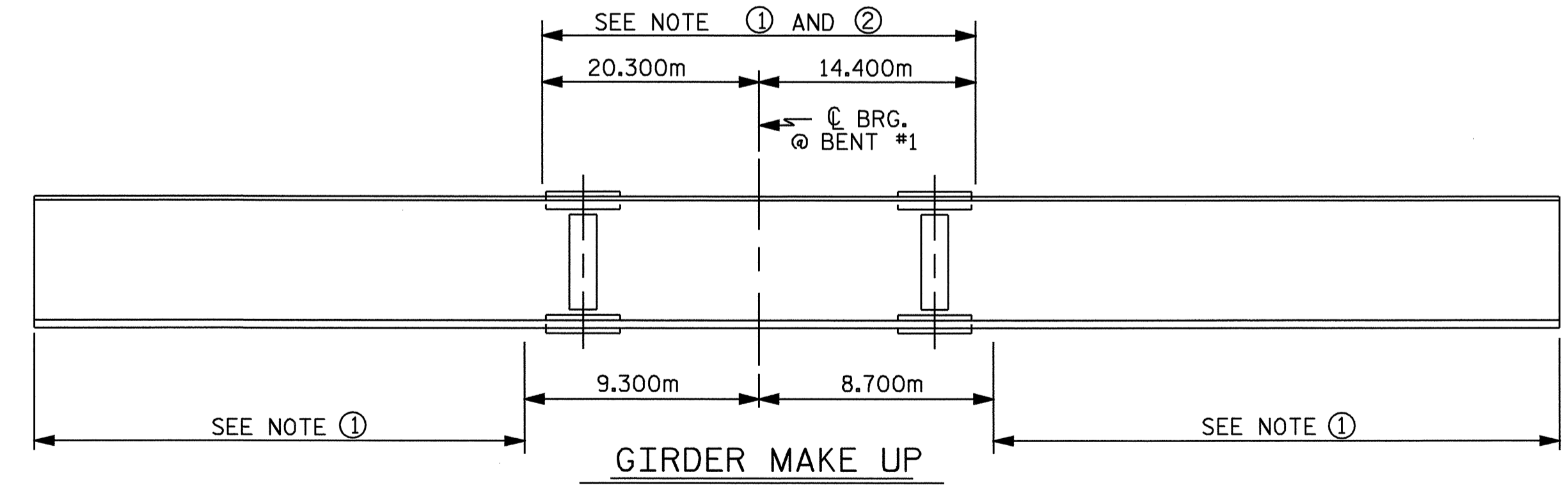


GIRDER ELEVATION

STUDS ON BOLTED FIELD SPLICE TOP PLATE NOT SHOWN



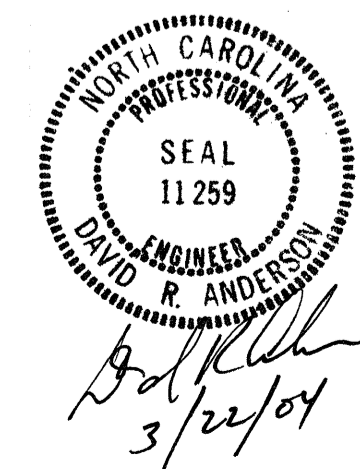
BOTTOM FLANGE DETAIL



- NOTE ① : CHARPY V-NOTCH TESTS ARE REQUIRED FOR TOP OR BOTTOM FLANGE PLATES WHICH FALL WITHIN THESE LIMITS, ALL WEB PLATES AND ALL SPLICE PLATES. IF A PERMITTED SHOP FLANGE SPLICE IS NOT USED, CHARPY V-NOTCH TESTS WILL BE REQUIRED FOR THE ENTIRE FLANGE PLATE AND ACCORDANCE WITH ARTICLE 1072-9 OF THE STANDARD SPECIFICATIONS.
- NOTE ② : NO WELDING OF FORMS OR FALSEWORK TO THE TOP FLANGE WILL BE PERMITTED IN THIS REGION.

CHARPY V-NOTCH TESTS FOR CONTINUOUS PLATE GIRDERS

PROJECT NO. R-513C
ROBESON COUNTY
STATION: 17+37.086 -Y3-
SHEET 1 OF 5



STATE OF NORTH CAROLINA
DEPARTMENT OF TRANSPORTATION
RALEIGH
SUPERSTRUCTURE
STRUCTURAL
STEEL DETAILS
SPAN "A"

REVISIONS						SHEET NO.
NO.	BY:	DATE:	NO.	BY:	DATE:	
1			3			TOTAL SHEETS
2			4			312

DRAWN BY : S.M. RASHIDI DATE : 02/28/01
CHECKED BY : T. A. WALTER DATE : 04/28/01