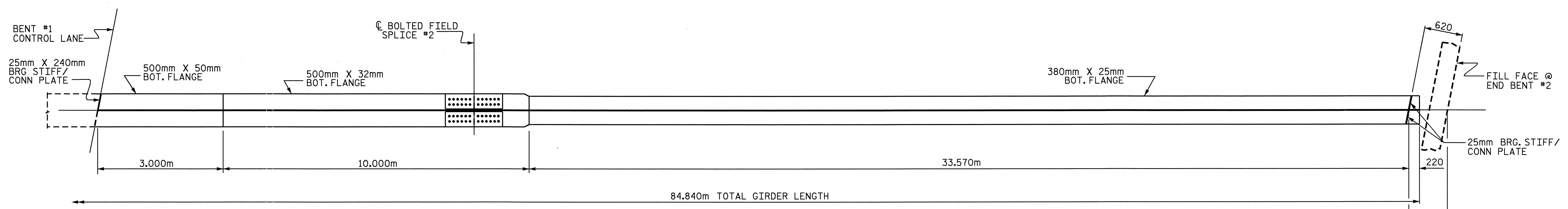
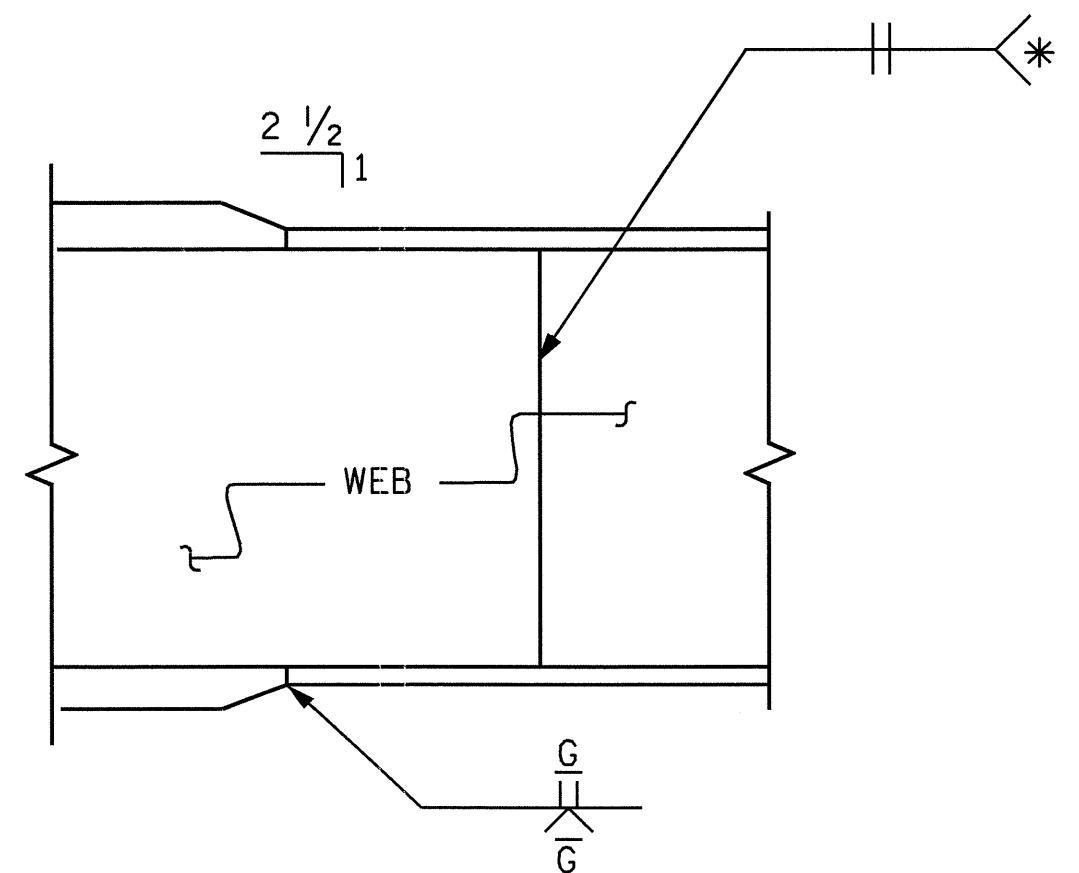


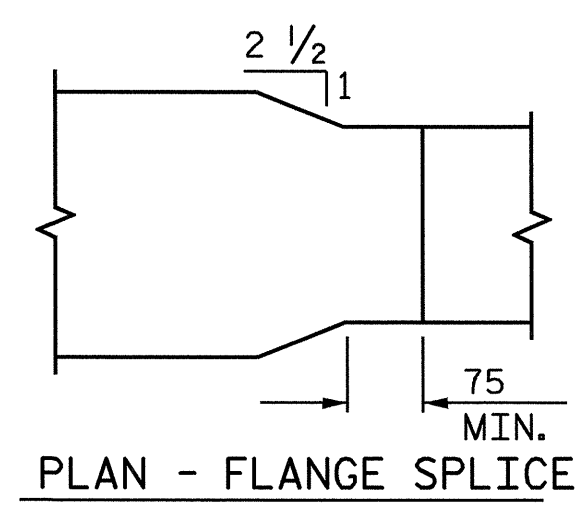
GIRDER ELEVATION



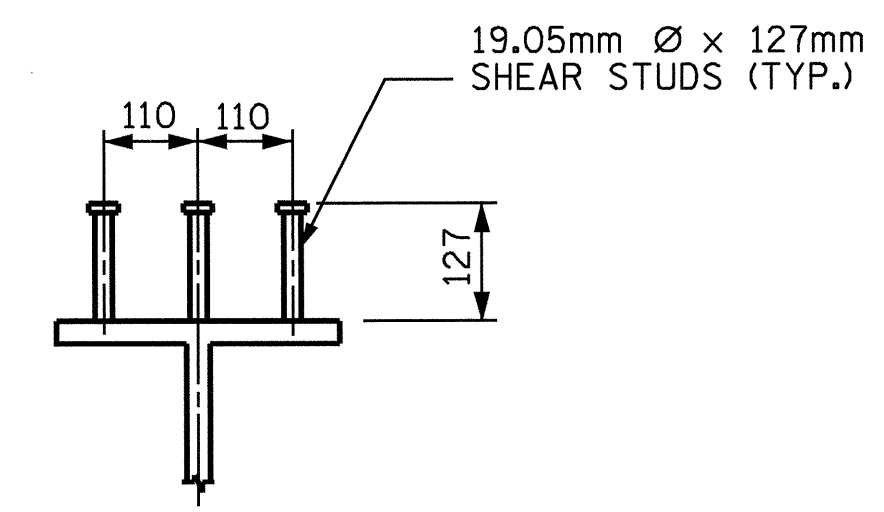
BOTTOM FLANGE DETAIL



ELEVATION



TYPICAL FLANGE AND WEB BUTT JOINT

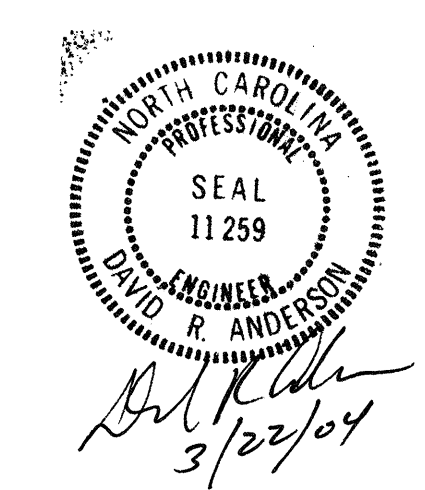


SHEAR STUD DETAILS

* GRIND SMOOTH AND FLUSH ON OUTER FACE OF EXTERIOR BEAMS /GIRDERS

PROJECT NO. R-513C
ROBESON COUNTY
STATION: 17+37.086 -Y3-
SHEET 2 OF 5

STATE OF NORTH CAROLINA
DEPARTMENT OF TRANSPORTATION
RALEIGH
SUPERSTRUCTURE
STRUCTURAL
STEEL DETAILS
SPAN "B"



REVISIONS						SHEET NO.
NO.	BY:	DATE:	NO.	BY:	DATE:	
1			3			TOTAL SHEETS
2			4			312

DRAWN BY : S. M. RASHIDI DATE : 02/28/01
CHECKED BY : T. A. WALTER DATE : 04/28/01