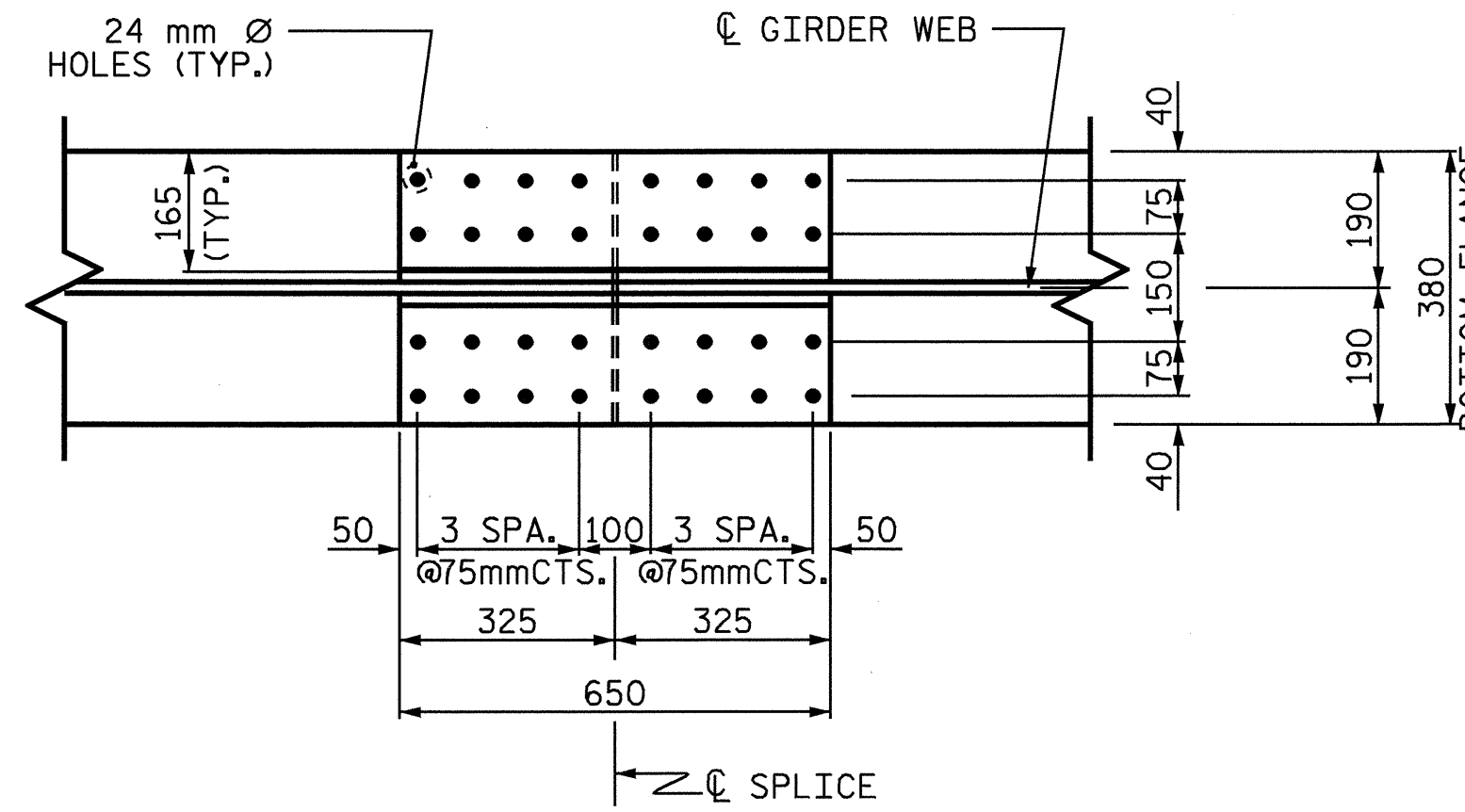


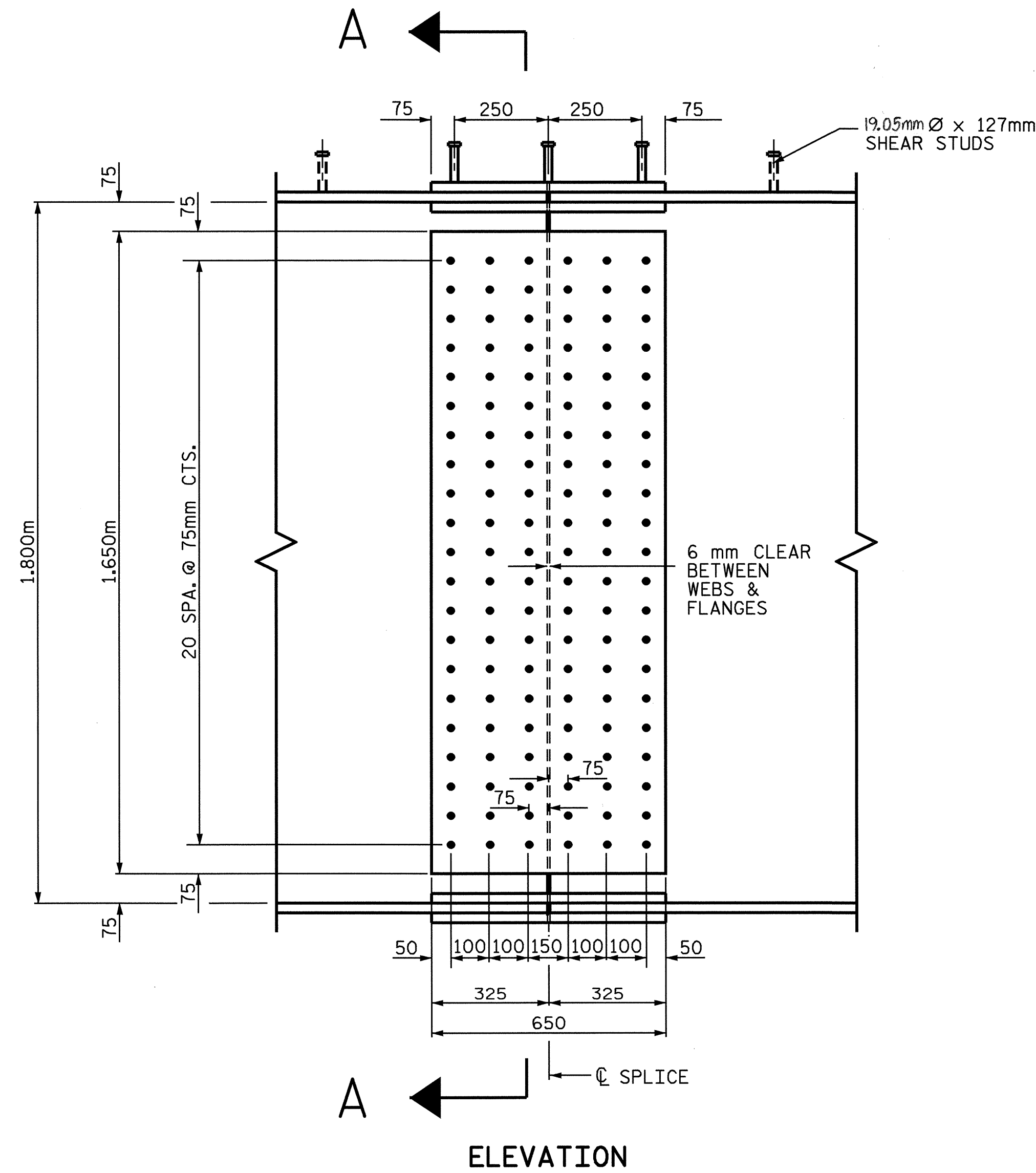
**PLAN (TOP OF TOP FLANGE)**

BOTTOM PLATE FOR BOTTOM FLANGE  
SIMILAR EXCEPT WITHOUT SHEAR STUDS

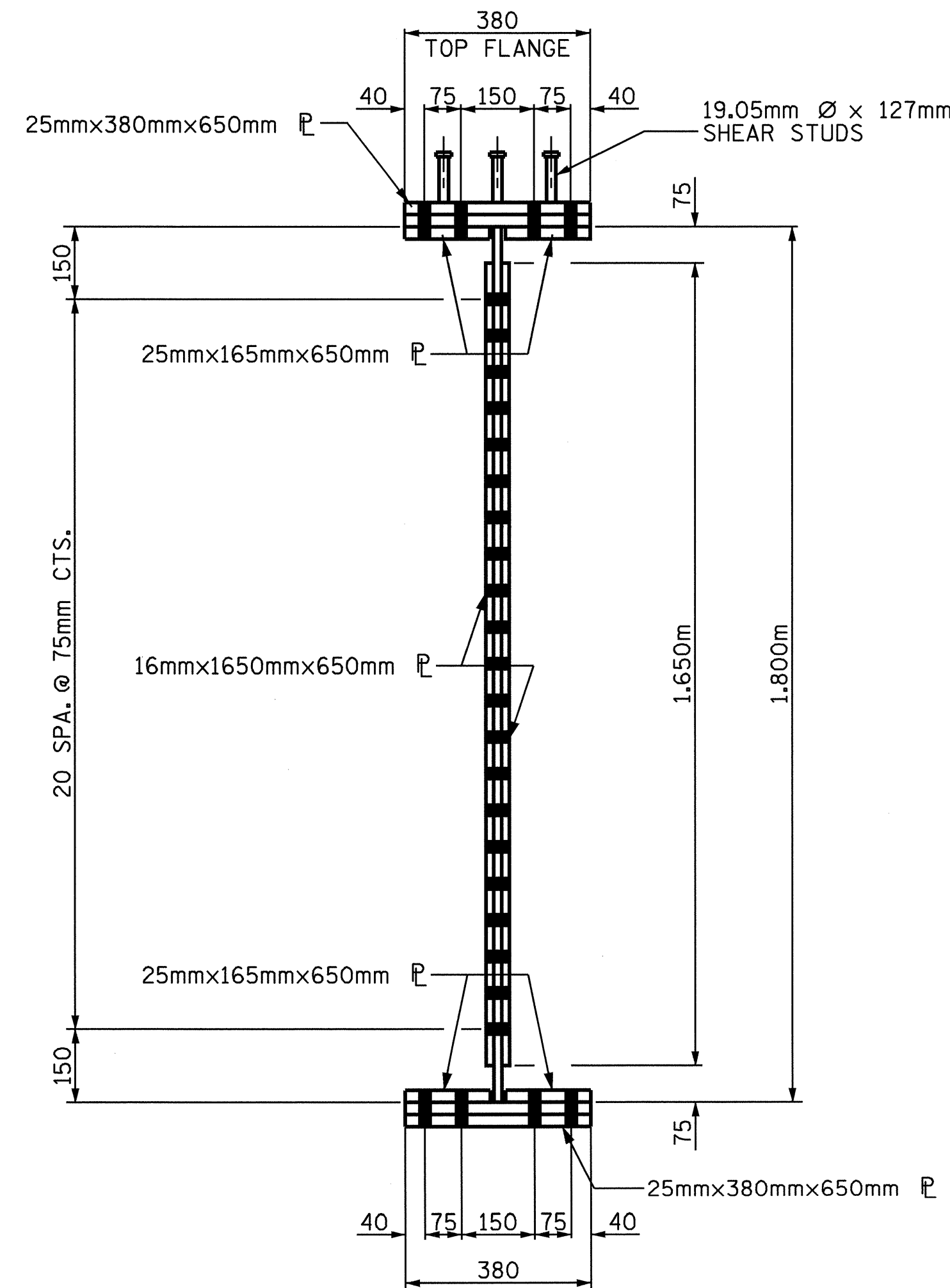


**PLAN (TOP OF BOTTOM FLANGE)**

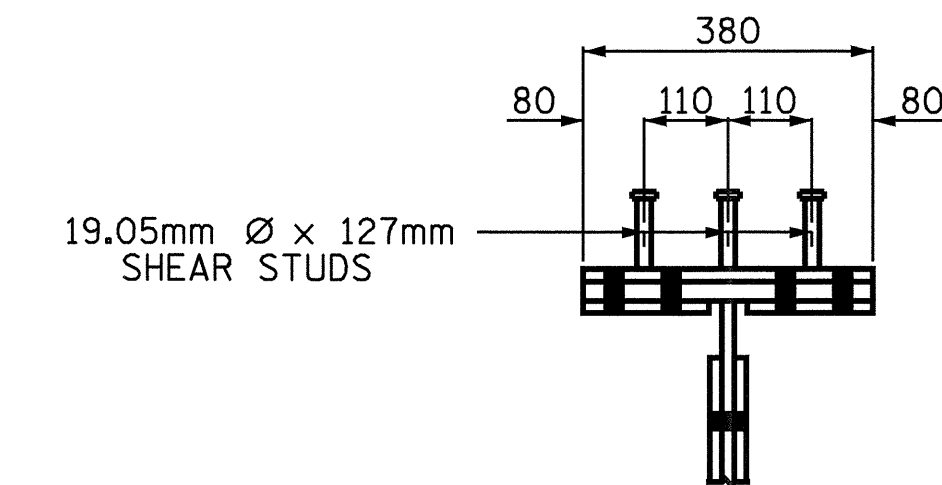
BOTTOM PLATES FOR TOP FLANGE SAME



**ELEVATION**



**SECTION A-A**



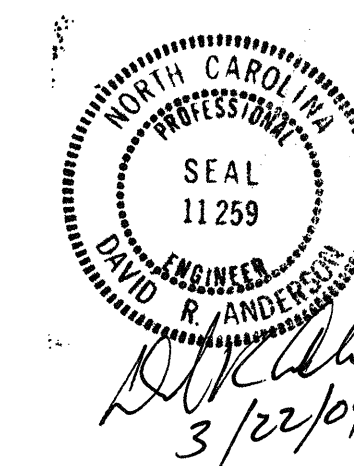
**SHEAR STUD DETAIL FOR TOP FLANGE SPLICE PLATE**

**BOLTED FIELD SPLICE DETAILS**

PROJECT NO. R-513C  
ROBESON COUNTY  
 STATION: 17+37.086 -Y3-

SHEET 4 OF 5

STATE OF NORTH CAROLINA  
 DEPARTMENT OF TRANSPORTATION  
 RALEIGH  
 SUPERSTRUCTURE  
 STRUCTURE STEEL  
 DETAILS  
 BOLTED FIELD SPLICE  
 # 1  
 (SPAN "A")



DRAWN BY: S. M. RASHIDI DATE: 02/28/01  
 CHECKED BY: L. A. WALTER DATE: 04/24/01

REVISIONS					SHEET NO.
NO.	BY:	DATE:	NO.	DATE:	TOTAL SHEETS
1			3		312
2			4		