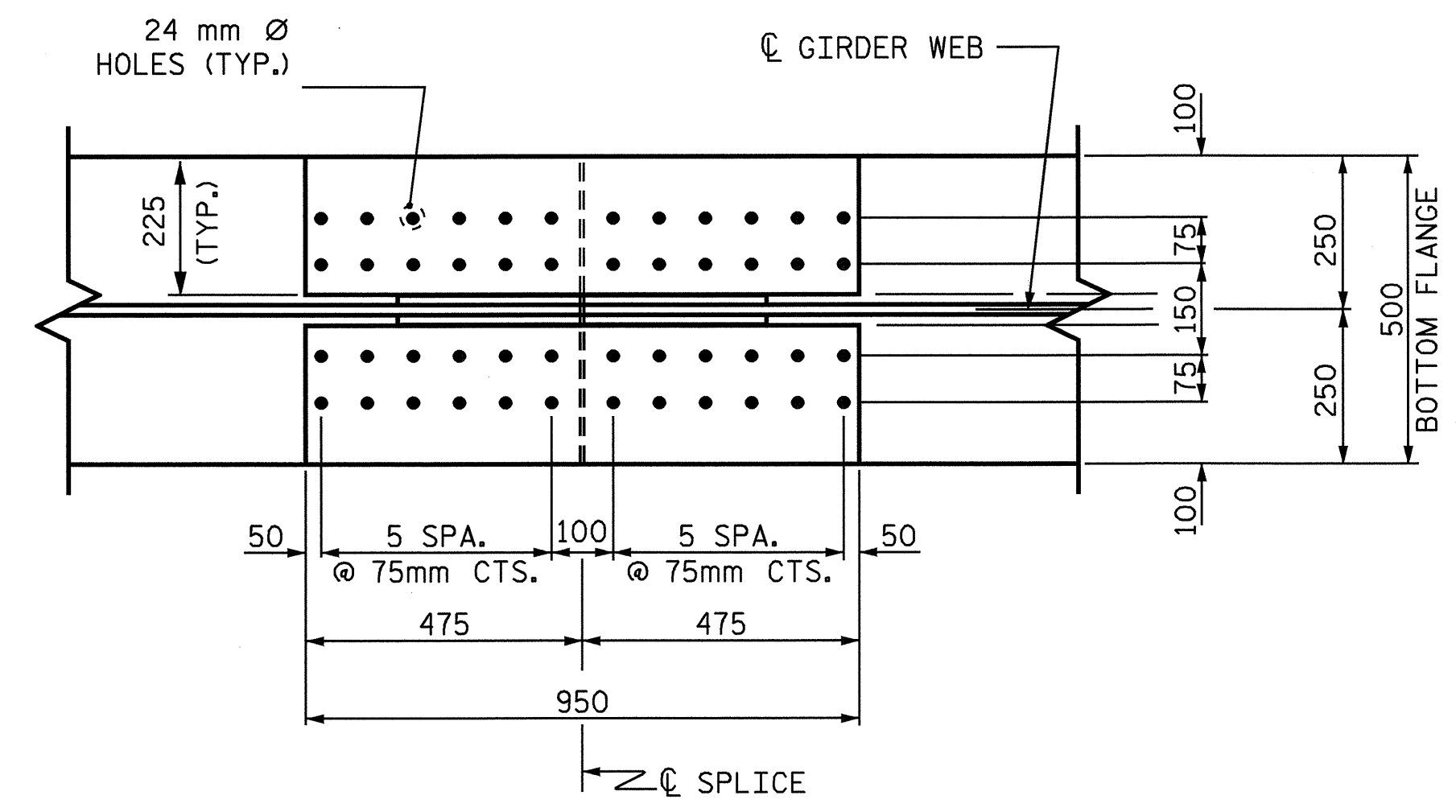


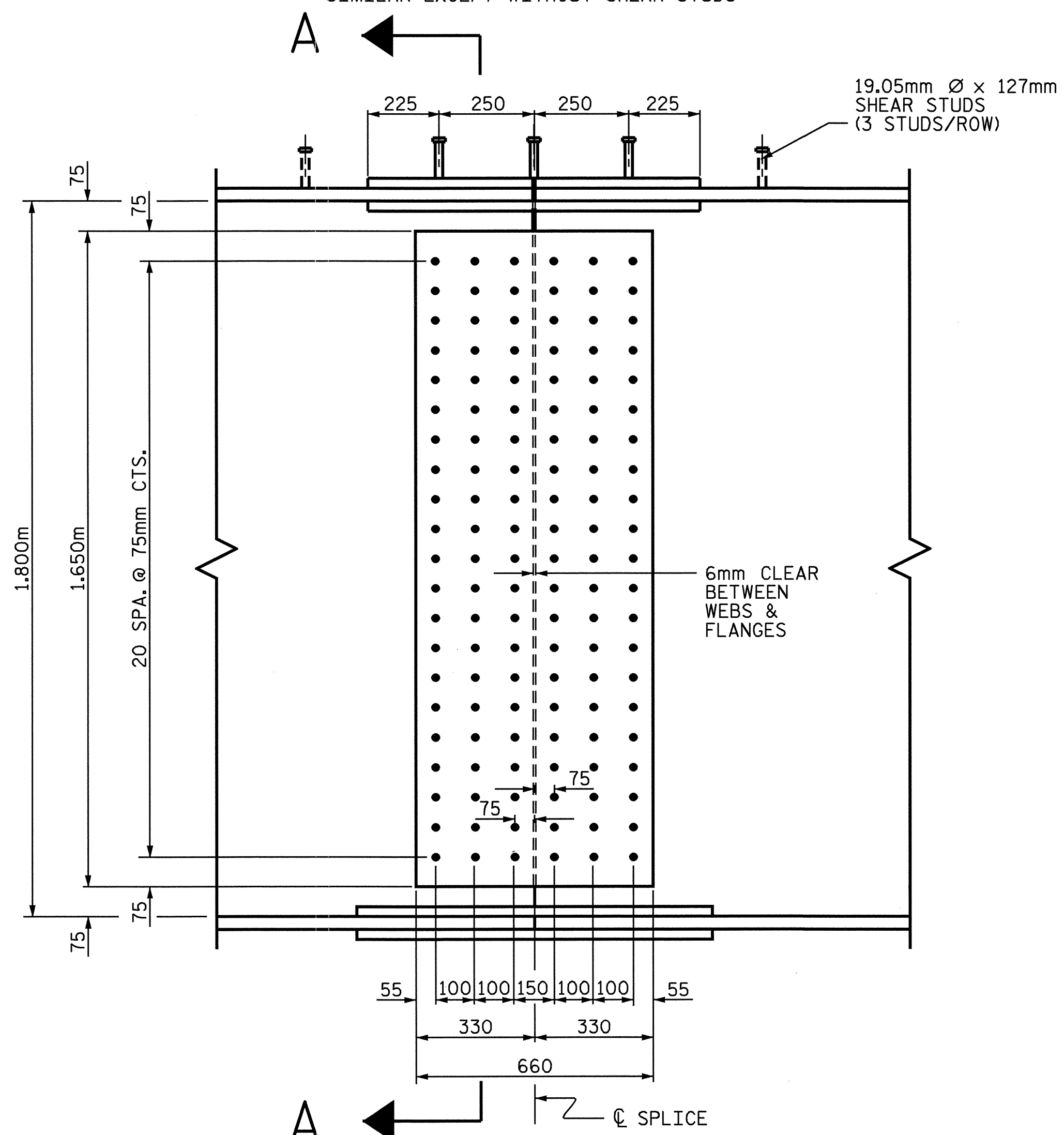
PLAN (TOP OF TOP FLANGE)

BOTTOM PLATES FOR BOTTOM FLANGE SIMILAR EXCEPT WITHOUT SHEAR STUDS

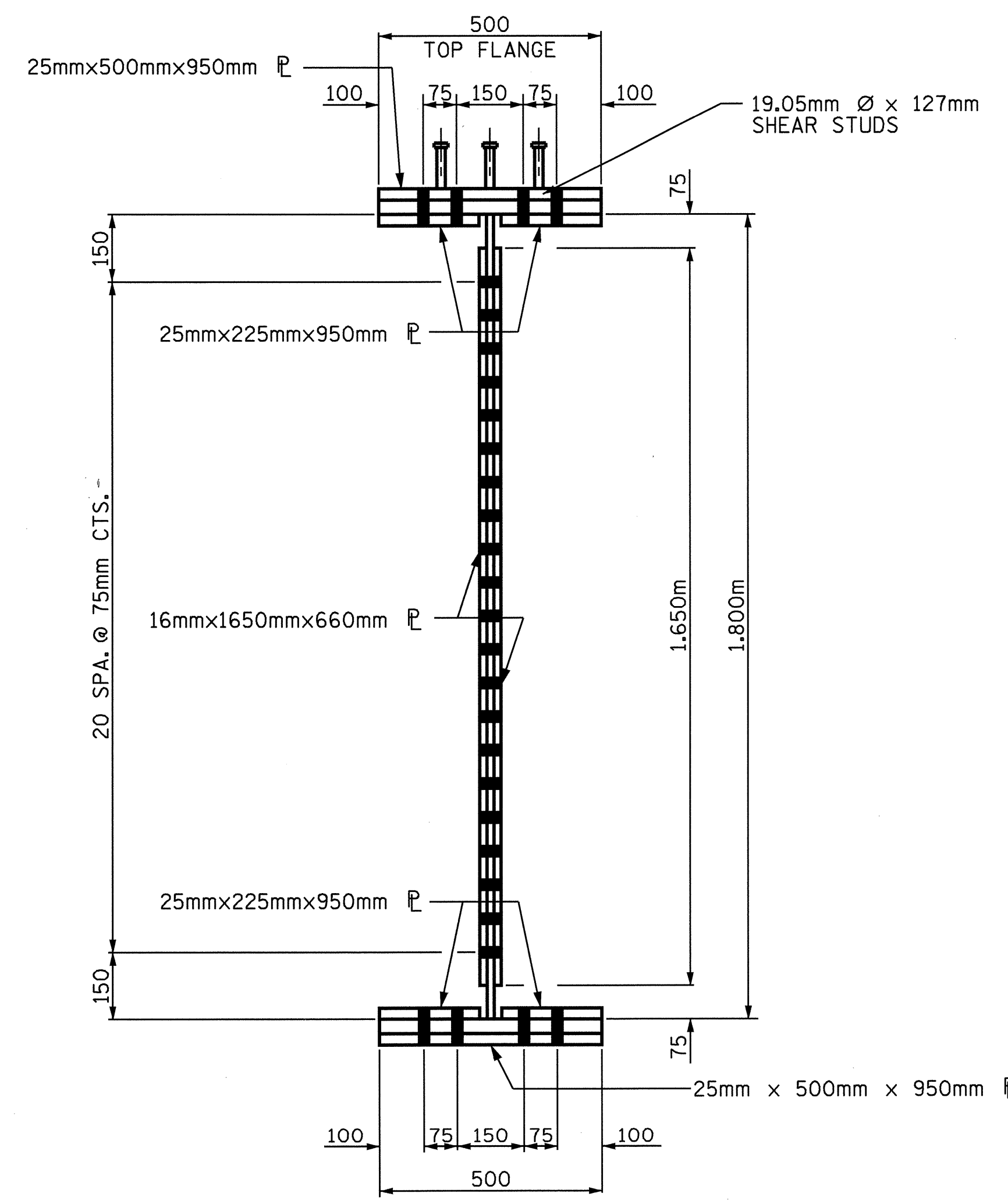


PLAN (TOP OF BOTTOM FLANGE)

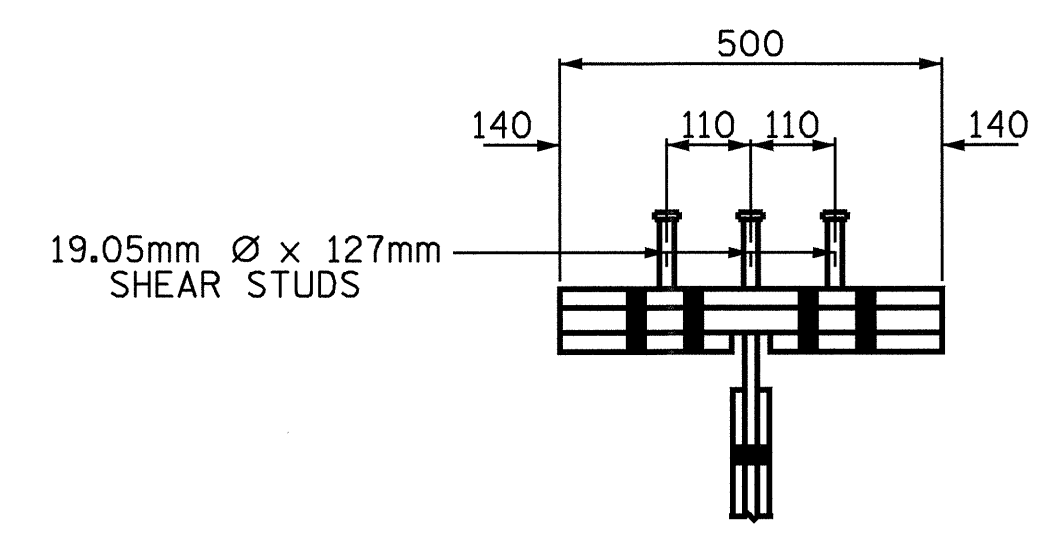
BOTTOM PLATES FOR TOP FLANGE SAME



ELEVATION

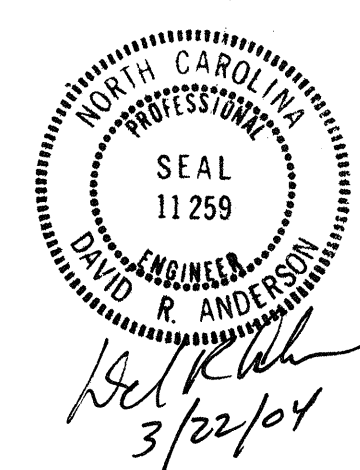


SECTION A-A



SHEAR STUD DETAIL FOR TOP FLANGE SPLICE PLATE

PROJECT NO. R-513C
ROBESON COUNTY
STATION: 17+37.086 -Y3-
SHEET 5 OF 5



STATE OF NORTH CAROLINA
DEPARTMENT OF TRANSPORTATION
RALEIGH
SUPERSTRUCTURE
STRUCTURE STEEL
DETAILS
BOLTED FIELD SPLICE
2
(SPAN "B")

REVISIONS						SHEET NO.
NO.	BY:	DATE:	NO.	BY:	DATE:	3-222
1			3			TOTAL SHEETS
2			4			312

DRAWN BY: S. M. RASHIDI DATE: 02/28/01
CHECKED BY: T. A. WALTER DATE: 04/24/01

BOLTED FIELD SPLICE DETAILS