

PLAN OF FENCE POST SPACING

PAY LENGTH 168.704 LN. METERS

NOTES

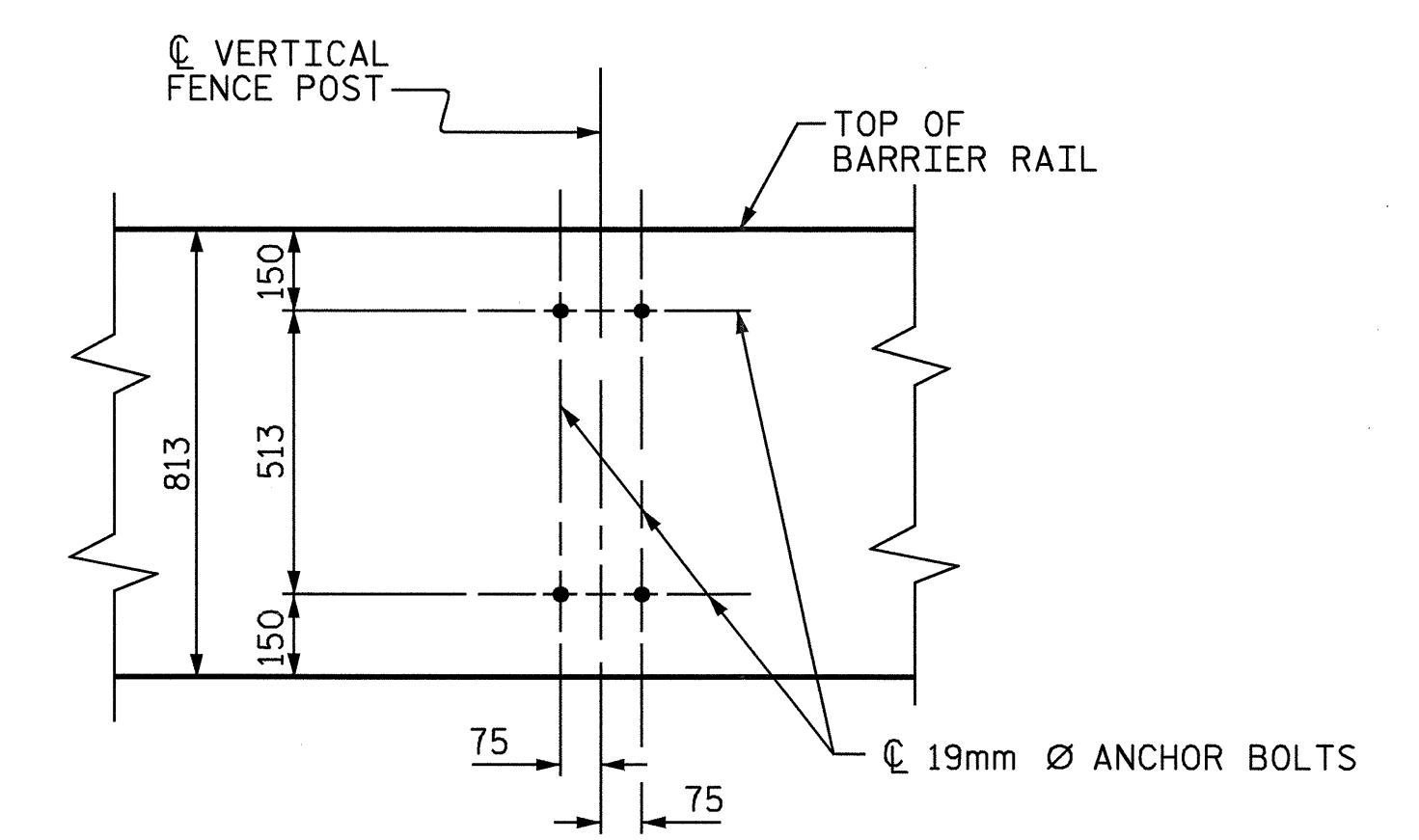
FOR BRIDGE MOUNTED CHAIN LINK FENCE, SEE SPECIAL PROVISIONS.

MATERIAL FOR ANCHOR BOLTS SHALL BE TYPE 304 STAINLESS STEEL WITH A MINIMUM 62 mPa ULTIMATE STRENGTH. NUTS AND WASHERS SHALL BE TYPE 304 STAINLESS STEEL. ANCHOR BOLTS SHALL BE EMBEDDED AS PER ADHESIVE BONDING SYSTEM MANUFACTURER SPECIFICATIONS. NUTS SHALL BE AMERICAN STANDARD FINISHED HEXAGON THICK NUTS, CLASS 2B THREADS.

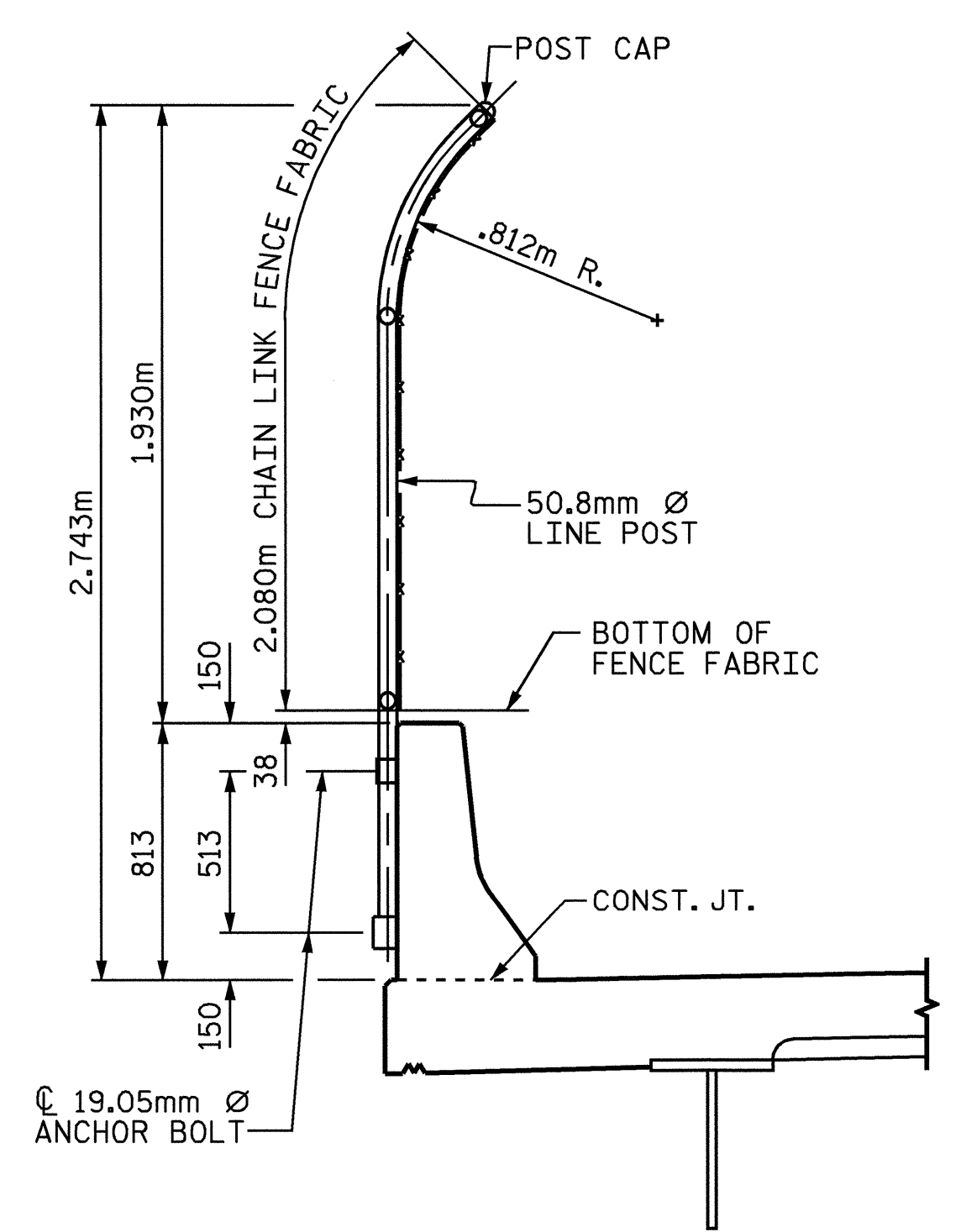
FOR SETTING ANCHOR BOLTS, THE CONTRACTOR SHALL USE AN ADHESIVE BONDING SYSTEM. SEE SPECIAL PROVISIONS FOR ADHESIVELY ANCHORED ANCHOR BOLTS OR DOWELS. FIELD TESTING OF BONDING SYSTEM IS NOT REQUIRED.

ALL FENCE MATERIAL SHALL MEET THE REQUIREMENTS OF SECTION 1050 OF THE STANDARD SPECIFICATIONS. GALVANIZE ALL STEEL PARTS AND HARDWARE IN ACCORDANCE WITH ARTICLE 1076 OF THE STANDARD SPECIFICATIONS.

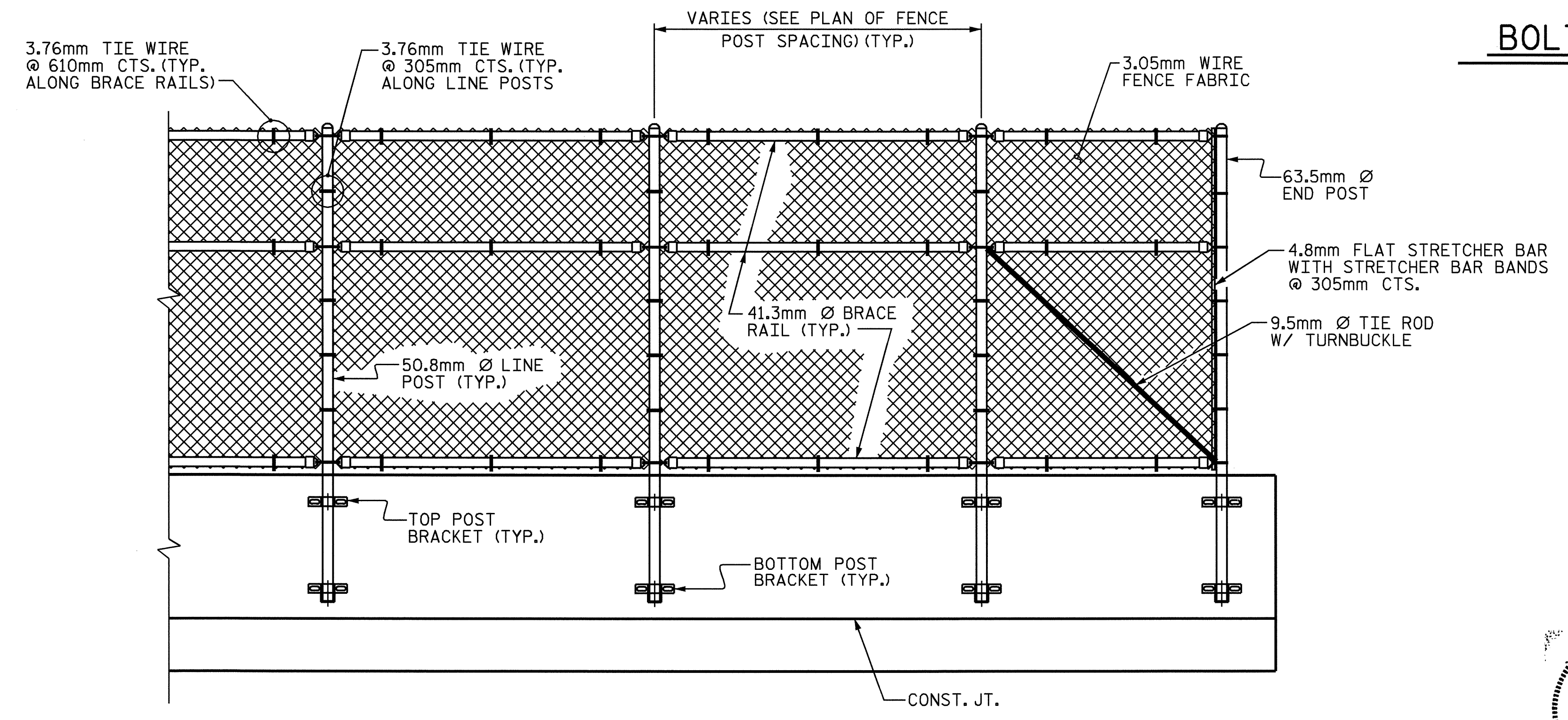
FENCE POST LOCATIONS SHALL BE SHIFTED, AS NECESSARY, TO MAINTAIN 305mm MINIMUM DISTANCE FROM ANCHOR BOLT TO JOINTS IN BARRIER RAIL.



BOLT SETTING DETAIL

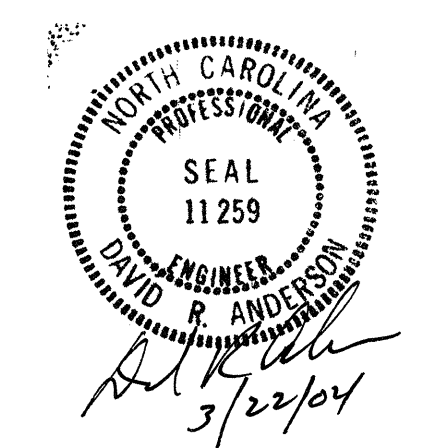


SECTION THRU FENCE



PARTIAL ELEVATION

PROJECT NO. R-513C
ROBESON COUNTY
STATION: 17+37.086 -Y3-



STATE OF NORTH CAROLINA
DEPARTMENT OF TRANSPORTATION
RALEIGH

**BRIDGE MOUNTED
CHAIN LINK FENCE**

DRAWN BY : S.M. RASHIDI DATE : 10/07/02
CHECKED BY : T.A. WALTER DATE : 10/07/02

REVISIONS						SHEET NO.	
NO.	BY:	DATE:	NO.	BY:	DATE:	5-226	
1			3			TOTAL SHEETS	312
2			4				