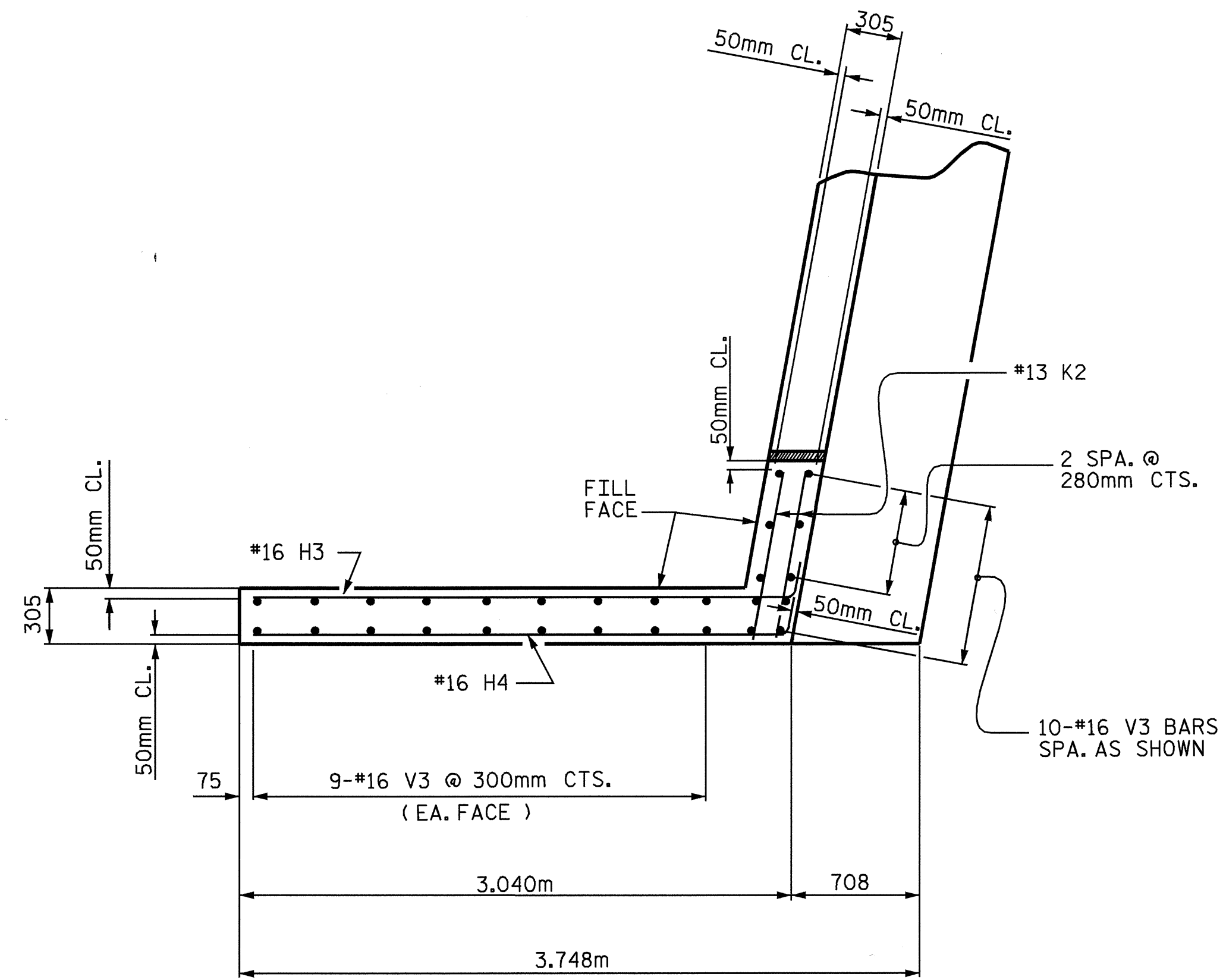
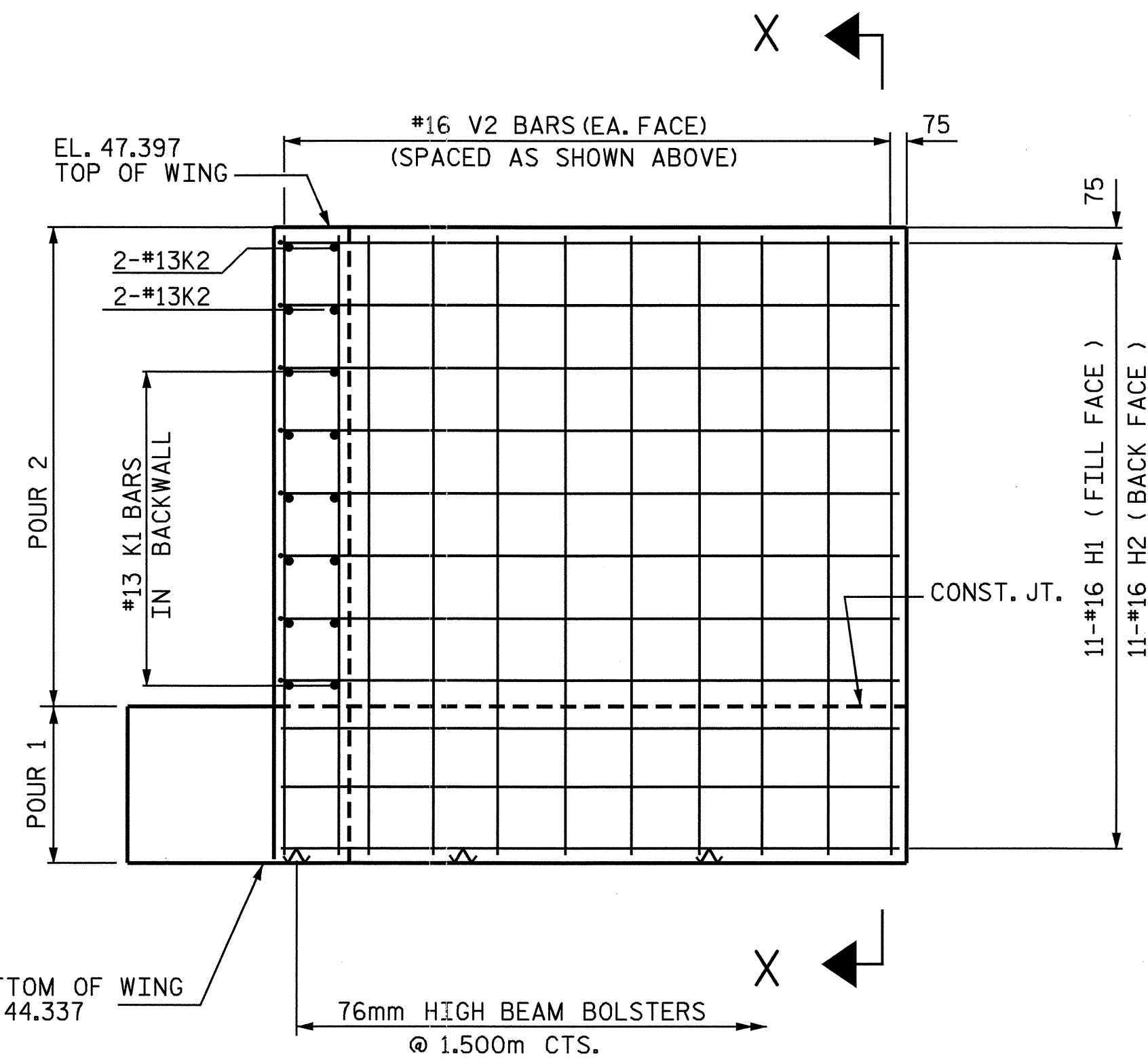
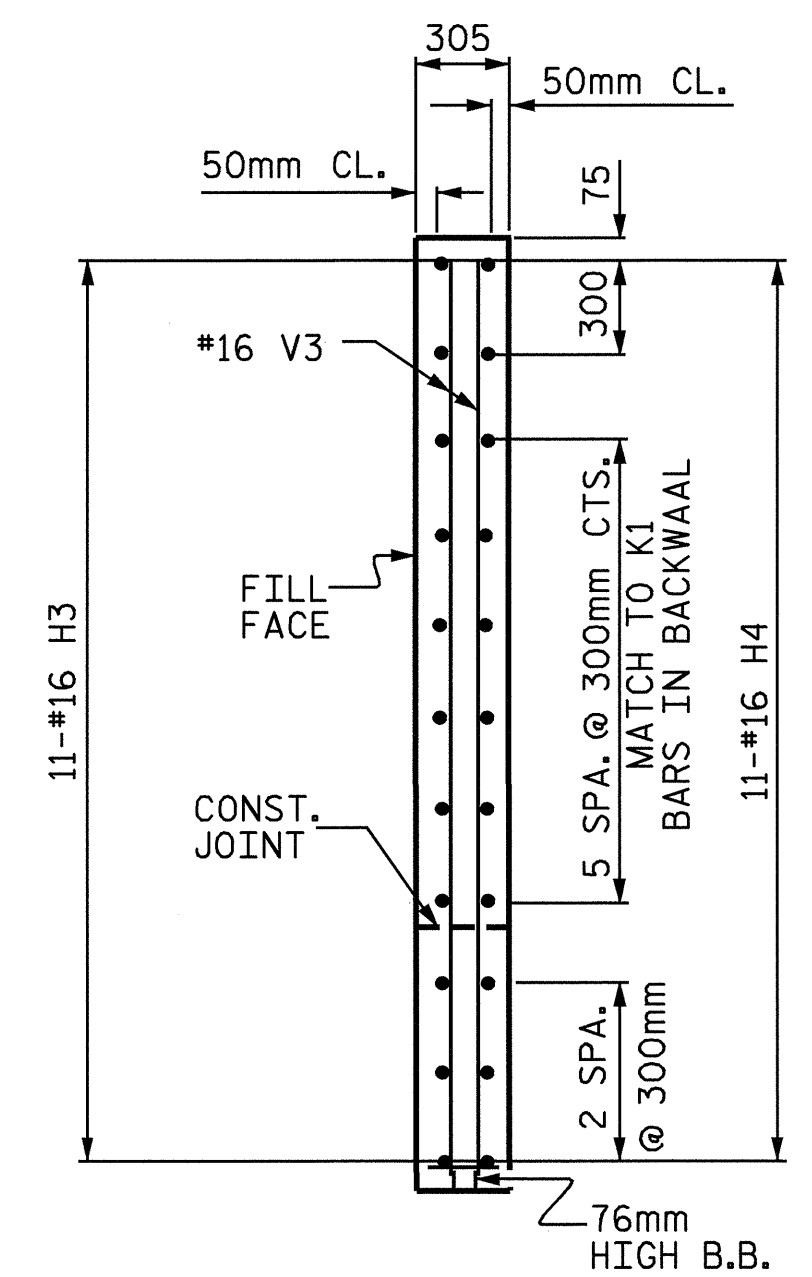
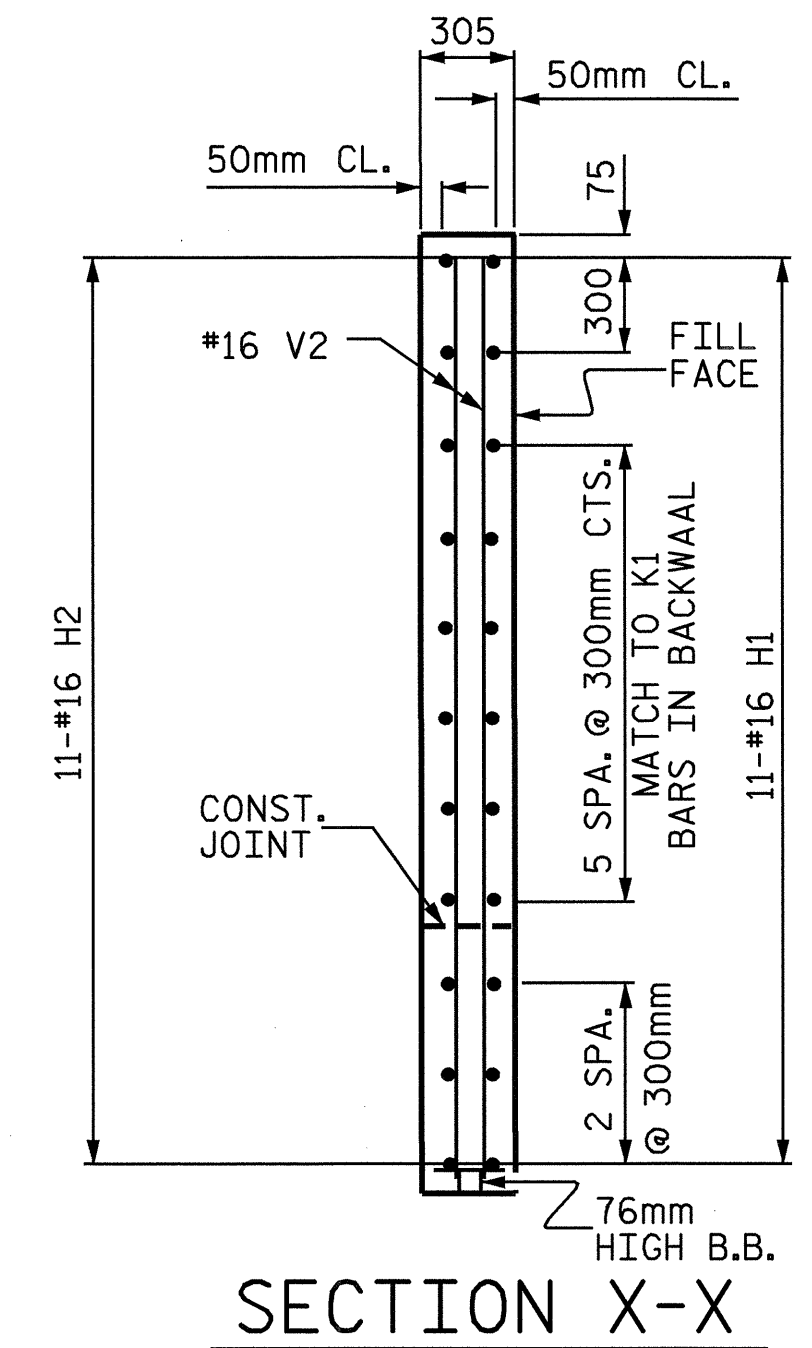


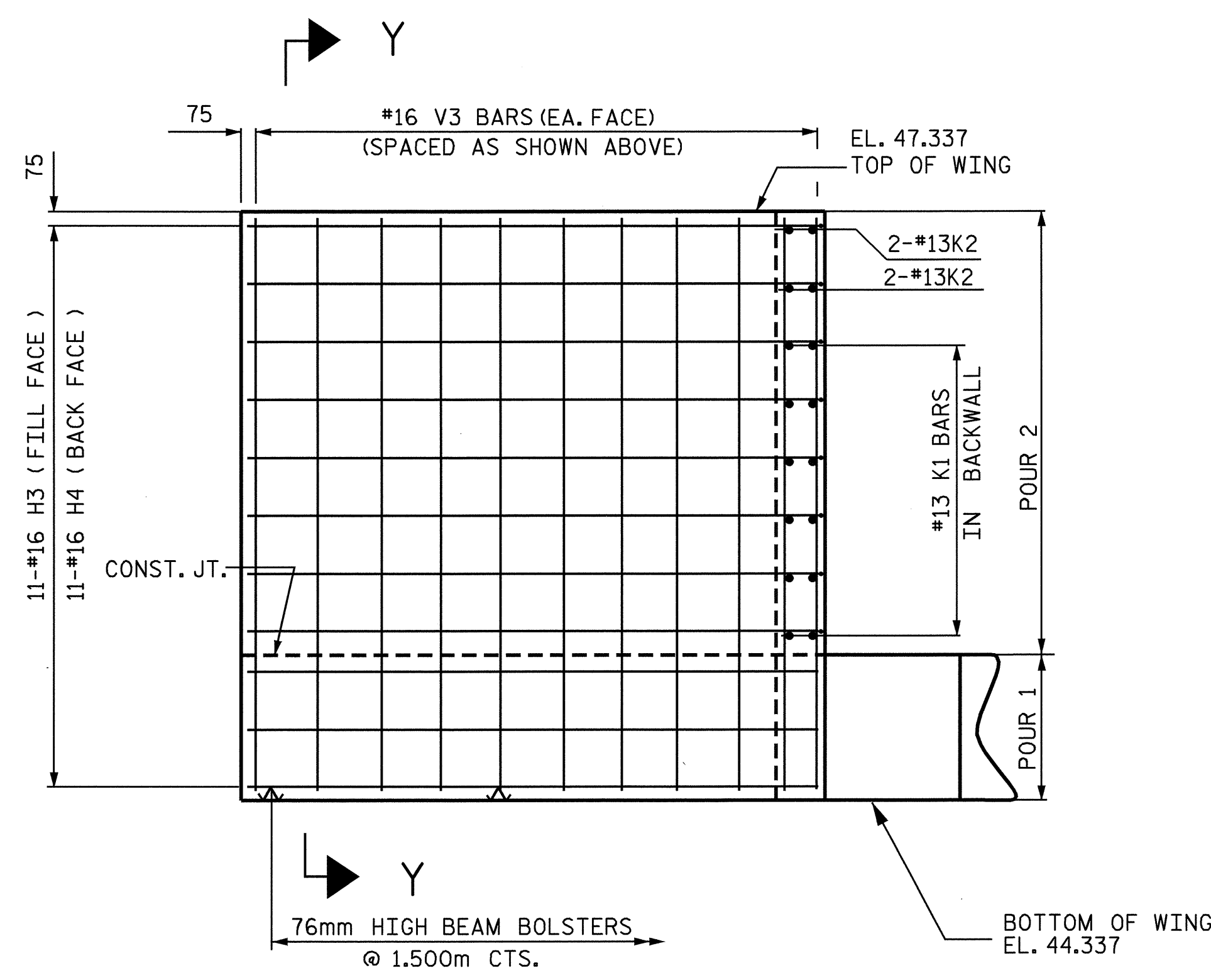
PLAN OF WING W1



PLAN OF WING W2



ELEVATION OF WING W1



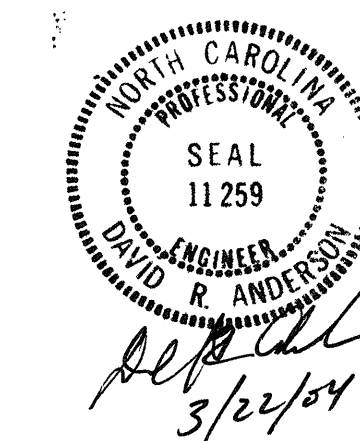
ELEVATION OF WING W2

PROJECT NO. R-513C
 ROBESON COUNTY
 STATION: 17+37.086 -Y3-

SHEET 2 OF 3

STATE OF NORTH CAROLINA
 DEPARTMENT OF TRANSPORTATION
 RALEIGH

SUBSTRUCTURE
 END BENT 1



REVISIONS						SHEET NO.	
NO.	BY:	DATE:	NO.	BY:	DATE:	5-231	
1			3			TOTAL SHEETS	
2			4			312	

DRAWN BY: S. M. RASHIDI DATE: 9/6/02
 CHECKED BY: K. P. SEDAI DATE: 9/17/02