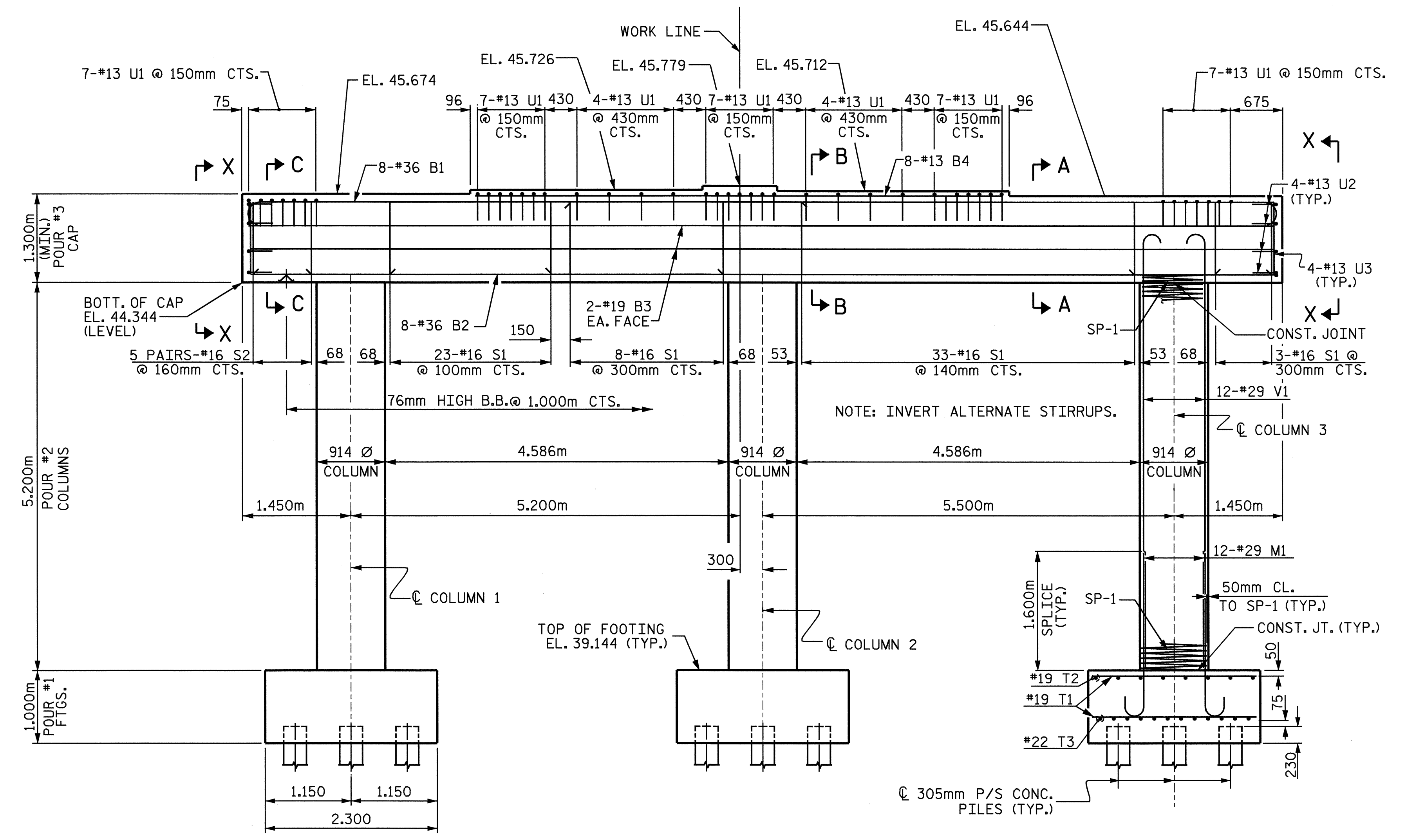


PLAN

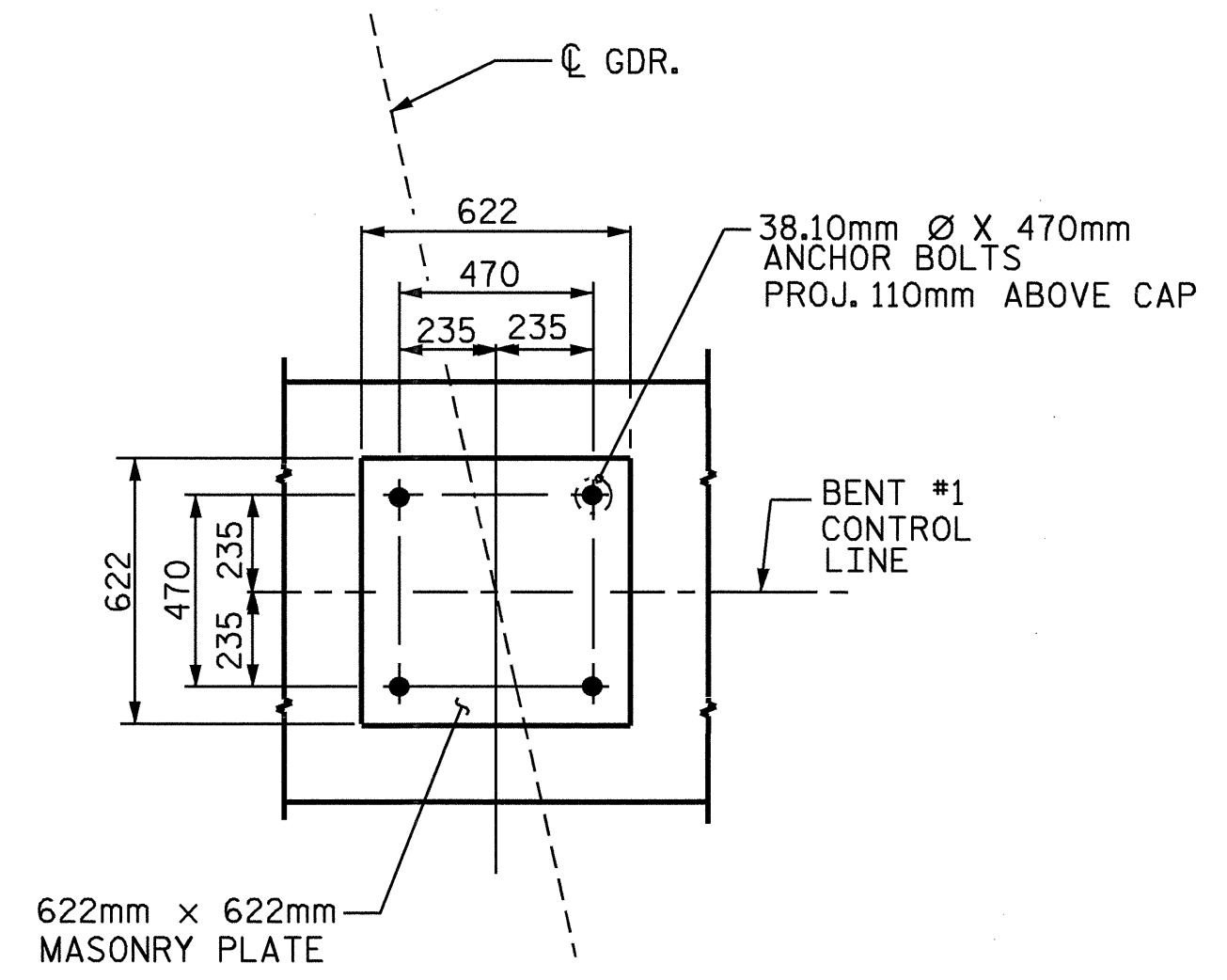


ELEVATION

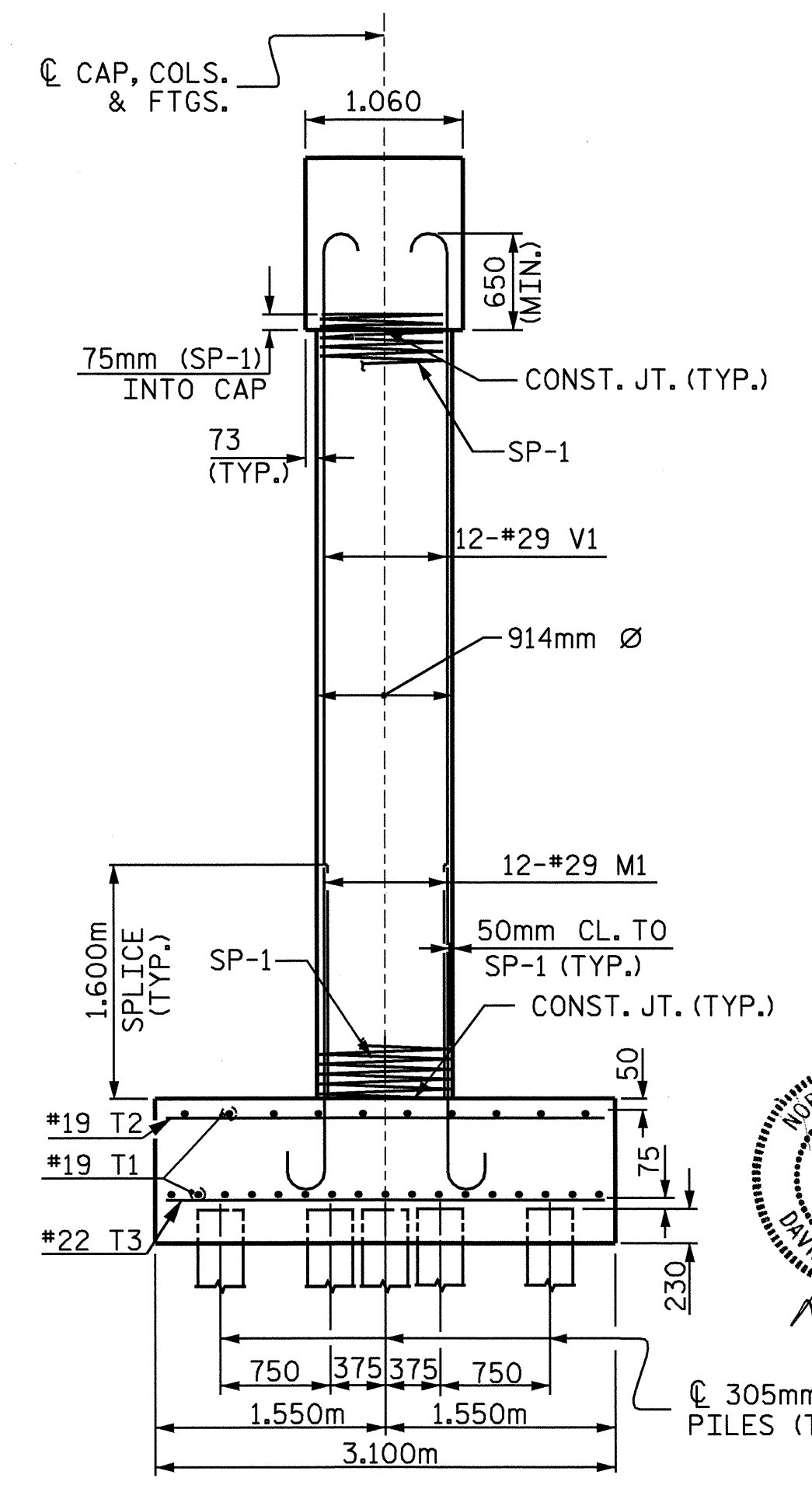
DETAILS AND REINFORCING STEEL FOR COLUMNS AND FOOTINGS ARE TYPICAL

NOTES

HOOKS ON "V" BARS MAY BE TURNED AS NECESSARY FOR PLACING REINFORCING STEEL.
STIRRUPS IN CAP MAY BE SHIFTED AS NECESSARY TO CLEAR ANCHOR BOLTS.
THE TOP SURFACE AREAS OF THE BENT CAP SHALL BE CURED IN ACCORDANCE WITH THE STANDARD SPECIFICATIONS EXCEPT THAT THE MEMBRANE CURING COMPOUND METHOD SHALL NOT BE USED.



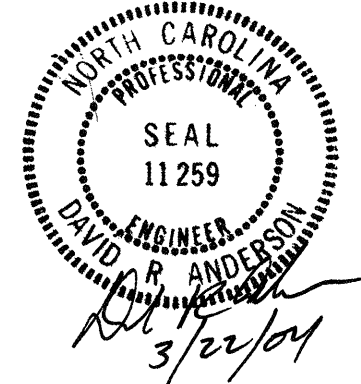
DETAIL A



END ELEVATION

PROJECT NO. R-513C
ROBESON COUNTY
STATION: 17+37.086 -Y3-

SHEET 1 OF 3



STATE OF NORTH CAROLINA
DEPARTMENT OF TRANSPORTATION
RALEIGH
SUBSTRUCTURE
BENT#1

REVISIONS						SHEET NO. 5-233
NO.	BY:	DATE:	NO.	BY:	DATE:	
1			3			TOTAL SHEETS 312
2			4			

DRAWN BY: W.K. FISCHER DATE: 12/18/03
CHECKED BY: D.R. ANDERSON DATE: 1/29/04