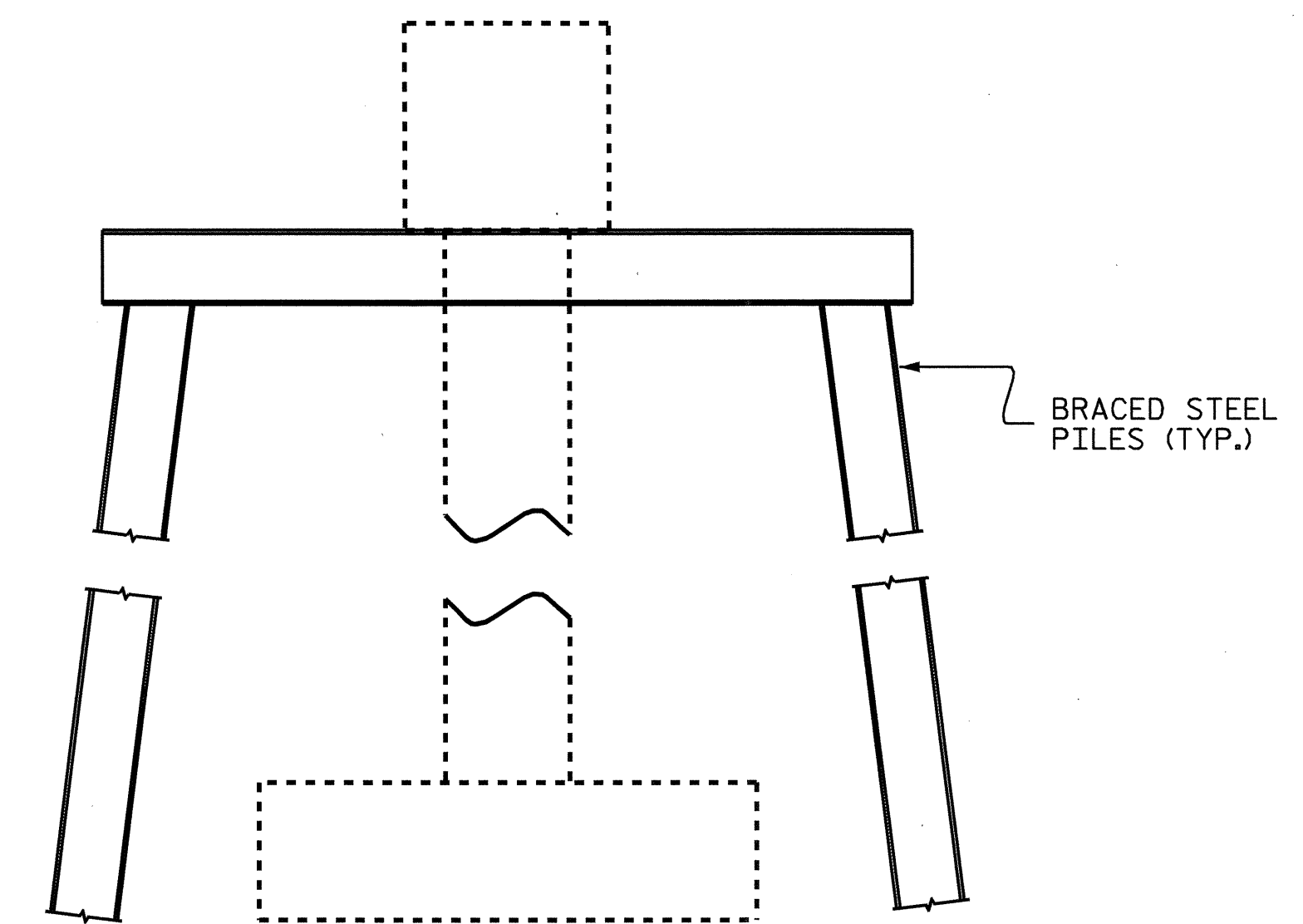


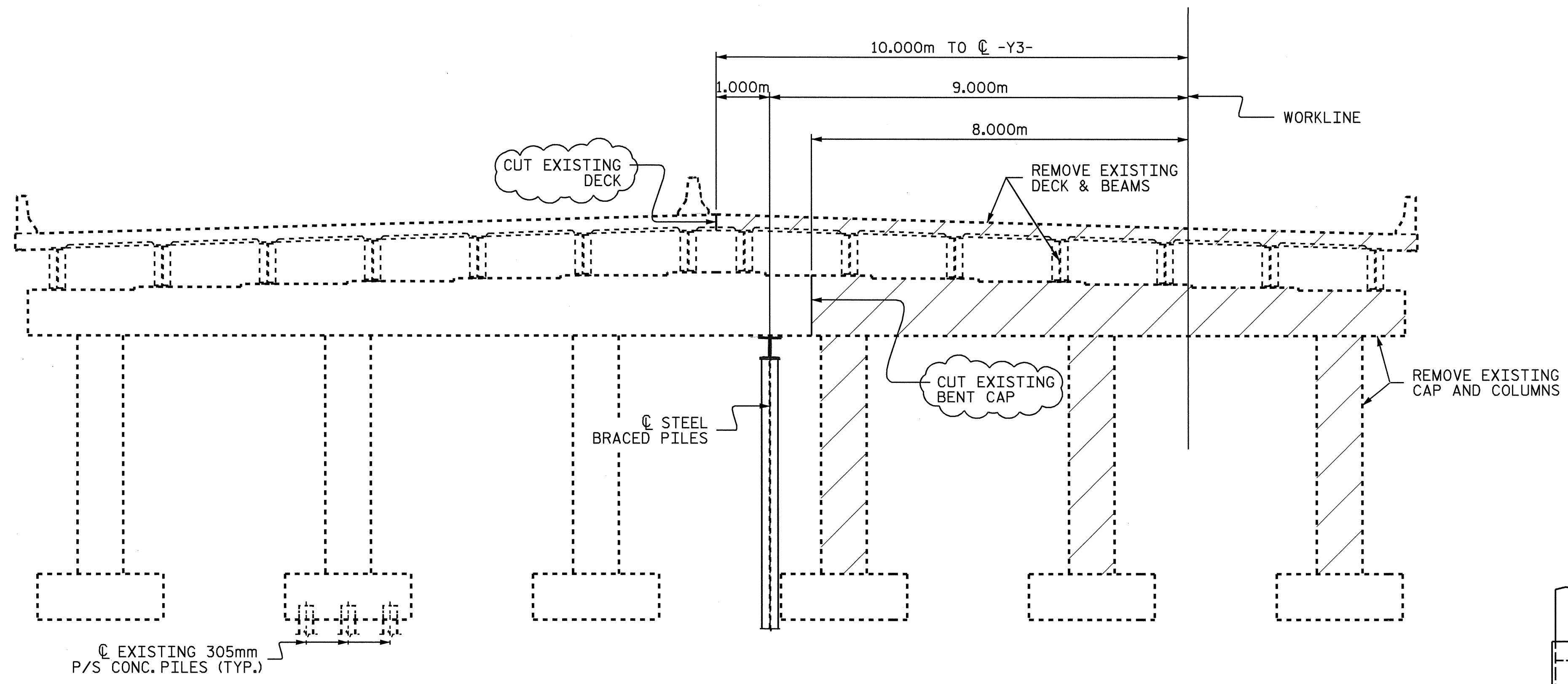
PLAN

(EXISTING FOOTING PILE LAYOUT FOR EXISTING FTG. 1 TYP. FOR EXISTING FTG. 6)
 (EXISTING FOOTING PILE LAYOUT FOR EXISTING FTG. 2 TYP. FOR EXISTING FTGS. 3, 4 & 5)



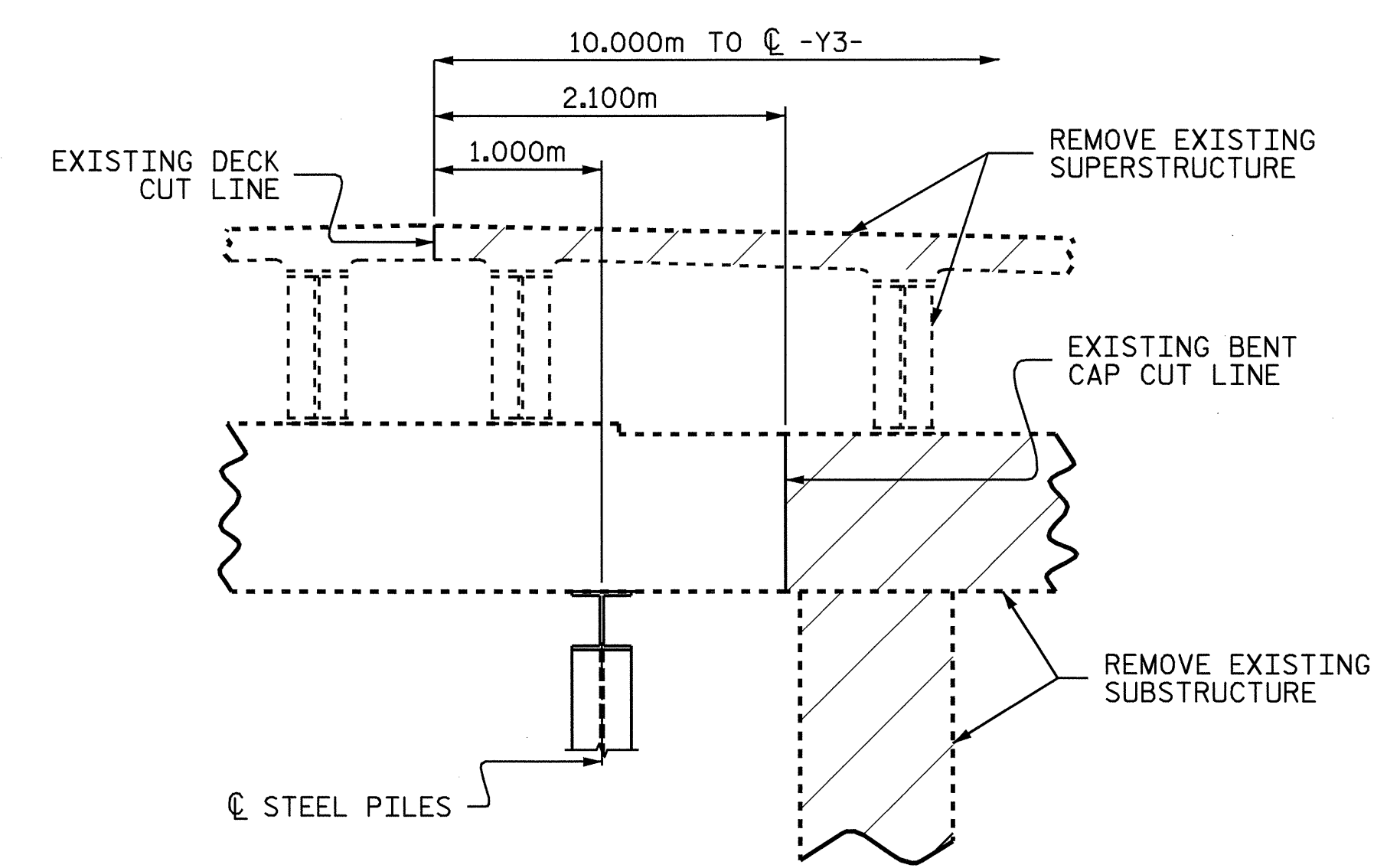
SIDE DETAIL

NOTE: FOR TEMPORARY BRACING, SEE SPECIAL PROVISIONS



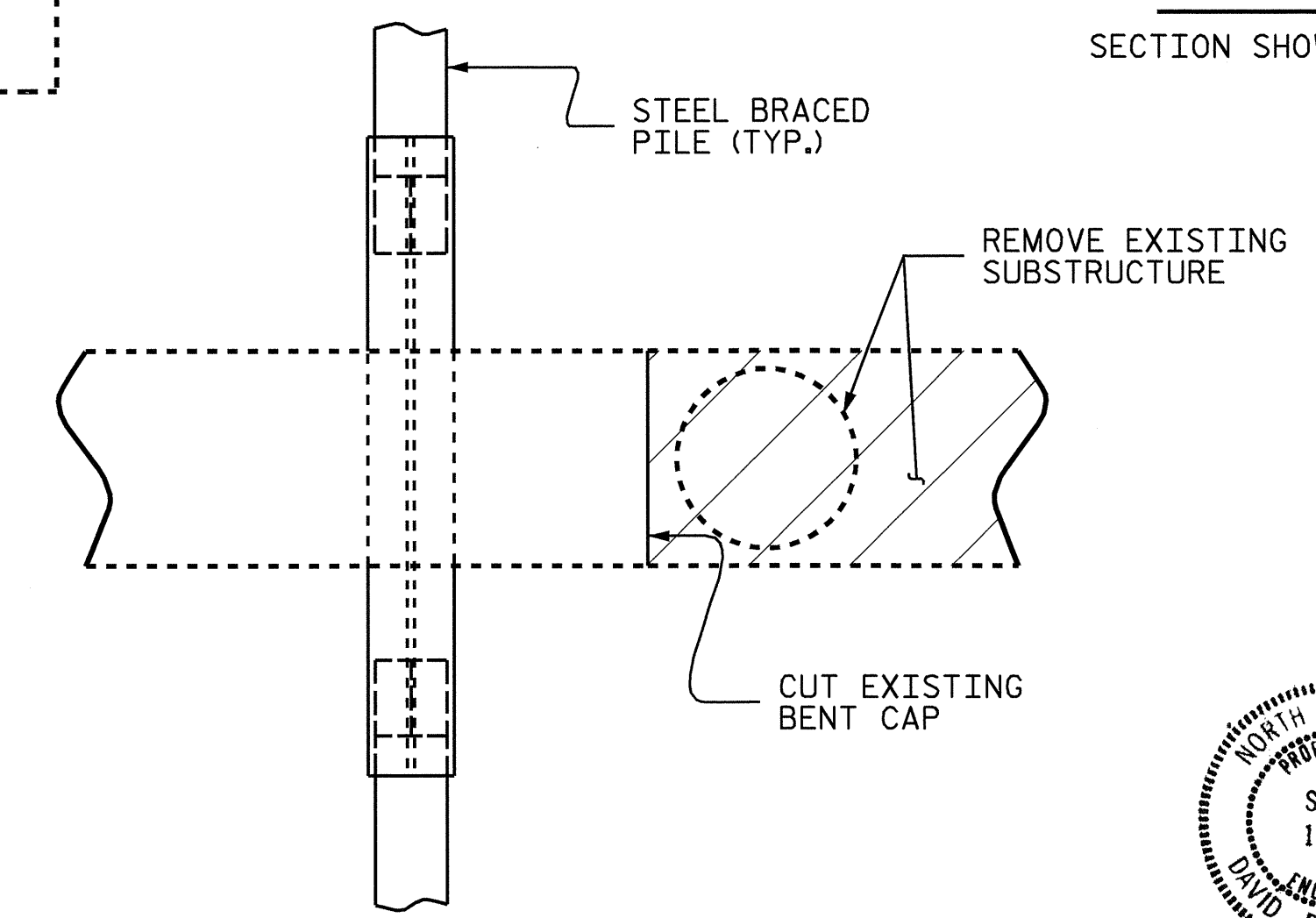
ELEVATION

SECTION SHOWN IS PERPENDICULAR TO CL -Y3-



ELEVATION DETAIL

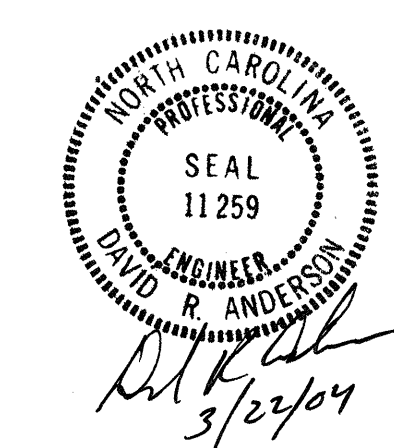
SECTION SHOWN IS PERPENDICULAR TO CL -Y3-



PLAN DETAIL

PROJECT NO. R-513C
 ROBESON COUNTY
 STATION: 17+37.086 -Y3-
 SHEET 3 OF 3

STATE OF NORTH CAROLINA
 DEPARTMENT OF TRANSPORTATION
 RALEIGH
SUBSTRUCTURE
 EXISTING BENT REMOVAL
 AND TEMPORARY BRACING



DRAWN BY: W.K. FISCHER DATE: 2/4/04
 CHECKED BY: S. WANCE DATE: 2/16/04

10-MAR-2004 15:38
 W:\SquadM\0513c\str5\wkfischer\Microrstation\R-513C_sd_EXBTL-05.dgn
 wkfischer

REVISIONS						SHEET NO. 5-235
NO.	BY:	DATE:	NO.	BY:	DATE:	
1			3			TOTAL SHEETS 312
2			4			